

LTR-3RW-RH Lens

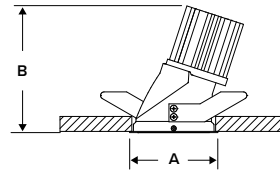
LITEISTRY 3" ROUND REMODEL LENSED WALL WASH (LWW)

DATE: _____ LOCATION: _____
 TYPE: _____ PROJECT: _____
 CATALOG #: _____

FEATURES

- 3" architectural LED remodel lensed wall wash delivering 600–2000 lm
- Provides smooth, uniform vertical illumination
- 2700K–5000K, 80+ and 90+ CRI options
- For Remodel (non-IC) install from below applications
- Standard with 0-10V to 1% dimming

LITEISTRY™



Typical Dimensions and Weights			
Lumen Package	"A" Diameter Inches (mm)	"B" Height Inches (mm)	Weight lbs (kg)
06L - 20L	3.7 (94)	5.3 (135)	3.5 (1.6)

See DIMENSIONS section for complete details

SPECIFICATIONS

CONSTRUCTION

- Die cast and spun aluminum construction with separate driver compartment and compact junction box
- Installs from below the ceiling after drywall with pre-installed retention springs; No plaster frame required
- Light Engine connections use plenum rated (CMP) cable

OPTICS

- Provides excellent uniformity down the wall
- The light distribution is free of distracting bright spots or pixelation and the perimeter has a smooth transition
- High purity spun aluminum reflector, self-flanged
- Flush mount flange option with mud-in ring available
- Large selection of anodized finishes and colors
- Painted cones and flange options available

ELECTRICAL

- Chip-on-board (COB) LED with 2 SDCM
- Multiple CCTs, 80+ or 90+ CRI
- Long LED life: L90 at >55,000 hours (TM-21)
- Universal voltage 120V–277V driver
- UL Class 2, inherent short circuit and overload protection
- Flicker free 0–10V dimming with 1% performance

INSTALLATION

- Accommodates ceiling thickness up to 1.25"
- Remodel light engine/driver fully serviceable from above or below the ceiling

CERTIFICATIONS

- cCSAus certified to UL 1598
- Suitable for wet locations, covered ceiling
- Approved for 4 (2 in/2 out) No. 12 AWG conductors rated for 90°C through wiring

CERTIFICATIONS (CONTINUED)

- For -BAA Option: This product meets federal procurement law requirements under the Buy American Act (FAR 52.225-9) [See Buy America\(n\) Solutions](#)
- For -TAA Option: Product configurations meet federal procurement law requirements under the Trade Agreements Act (FAR 52.225-11) [See Buy America\(n\) Solutions](#)

WARRANTY

- 5 year warranty

KEY DATA	
Lumen Range	600-2000
Wattage Range	8-25
Efficacy Range (LPW)	79*
Reported Life (Hours)	L90 / >55,000
Input Current (mA)	67–208 (120V)

*Based on Specular, 35K, 80 CRI

LTR-3RW-RH Lens

LITEISTRY 3" ROUND REMODEL LENSED WALL WASH (LWW)

ORDERING GUIDE

Example: LTR-3RD-RH-SL10L-DM1-LTR-3RW-T-SL35K8LWW-S

CATALOG #

HOUSING

LTR-3RD-RH		Lumen Package		Lumen Output		Driver Options		Voltage		Housing Options	
Aperture/Shape/Function											
LTR-3RD-RH	3" Round Downlight / Wall Wash Remodel Housing	SL	Standard Lumen	06L	600	DM1	0-10V Dimming to 1%	Standard	120-277V	BAA	Buy American Act (FAR 52.225-9) Compliant
				10L	1000						
		ML	Medium Lumen	15L	1500	DALI	DALI Dimming to 1%			TAA	Trade Agreements Act (FAR 52.225-11) Compliant
				20L	2000						

TRIM

LTR-3RW-T		Lumen Package		CCT		CRI		Distribution	
Aperture/Shape/Function									
LTR-3RW-T	3" Round Wall Wash Light Engine/Trim Assembly	SL	Standard Lumen	27K	2700K	8	80+CRI	LWW	Lensed Wall Wash
				30K	3000K				
				35K	3500K				
				40K	4000K				
				50K	5000K ¹				
		ML	Medium Lumen			9	90+CRI		

TRIM CONTINUED

Reflector Finish		Reflector Color		Flange Color Options		Reflector Options	
<i>Finish not applicable with painted reflectors (WC or BC)</i>		Standard Clear		Standard matches reflector color		AM Antimicrobial Coating ³	
S	Specular	CG	Champagne Gold	WT	White Flange ²	BAA Buy American Act (FAR 52.225-9) Compliant	
		BL	Black	BT	Black Flange ²	TAA Trade Agreements Act (FAR 52.225-11) Compliant	
SS	Semi-Specular	LW	Light Wheat				
MFC	American Matte™	PW	Pewter				
VS	Softglow®	WC	Painted White Cone and Flange				
VSS	SoftSheen™	BC	Painted Black Cone and Flange				

Accessories

- FMR3-R** Flush Mount Flange Mud-In Ring, 3" Round
- LiteGear** LiteGear® Inverter, 125VA-250VA
- LPS Series** LightPower Micro-Inverter, 20VA-55VA
- MOR3-R-WH** Metal Oversized Ring, 3" Round, White (6.75" outside diameter)
- MOR3-R-BL** Metal Oversized Ring, 3" Round, Black (6.75" outside diameter)

Notes:

- 1 5000K available in 80+ CRI only.
- 2 WT not needed for WC, BT not needed for BC.
- 3 AM available with WC or Specular Clear (S or SWT). Consult factory for other colors.

LTR-3RW-RH Lens

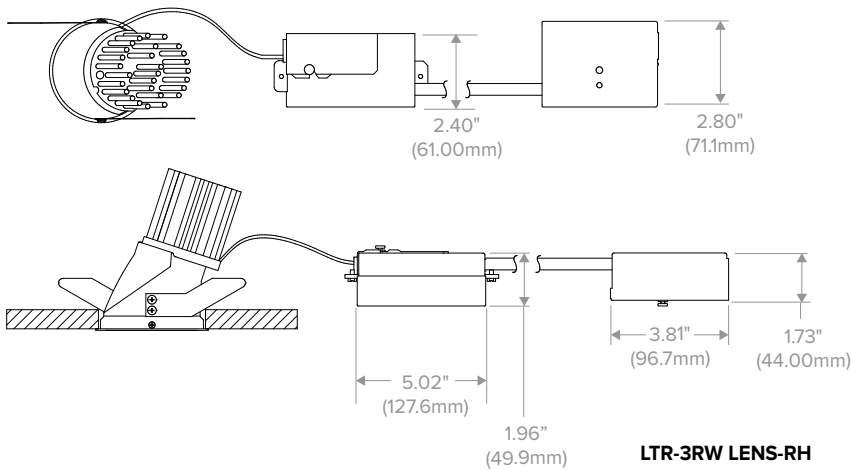
LITEISTRY 3" ROUND REMODEL LENSED WALL WASH (LWW)

PERFORMANCE DATA TABLE

Performance data provided below is for 3500K, 80 CRI with Specular Clear reflector finish/color

Lumen Package	Nominal Lumens	Distribution	"Delivered Lumens"	Watts	LPW
06L	600	Lensed Wall Wash	656	7.8	84
10L	1000	Lensed Wall Wash	1055	11.9	89
15L	1500	Lensed Wall Wash	1527	18.6	82
20L	2000	Lensed Wall Wash	1974	25.0	79

DIMENSIONS



Dimensional Data	
Aperture	2.88" (73.2mm)
Flange	Standard 3.68" (93.5mm)
	Flush Mount 3.68" (93.5mm)
Ceiling Cutout	Standard 3.38" (85.9mm)
	Flush Mount 4.00" (101.6mm)
Ceiling Thickness	0.50" to 1.25" (12.7mm to 31.8mm)

LTR-3RW LENS-RH

LTR-3RW-RH Lens

LITEISTRY 3" ROUND REMODEL LENSED WALL WASH (LWW)

PHOTOMETRY

LTR-3RD-RH-ML20L-DM1 / LTR-3RW-T-ML35K8LWW-S

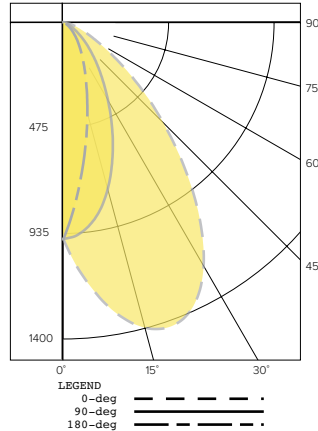
LUMINAIRE DATA

Test No.	R19.00751-C02
Description	3" Wall-Wash; 2000lm 3500K, 80 CRI
Delivered Lumens	1974
Watts	25
Efficacy	78.8
Mounting	Recessed

ZONAL LUMEN SUMMARY

Zone	Lumens	% Luminaire
0-40	1432	72.5
0-60	1894	95.9
0-90	1974	100.0
0-180	1974	100.0

POLAR GRAPH



CANDELA DISTRIBUTION

Degree	Candela
0	1554
5	1857
15	2267
25	2225
35	1697
45	1002
55	464
65	176
75	55
85	0
90	0

LUMINANCE DATA*

Vertical Angle	Average
45°	332529
55°	189834
65°	97726
75°	49867
85°	0

*Candela/Square Meter

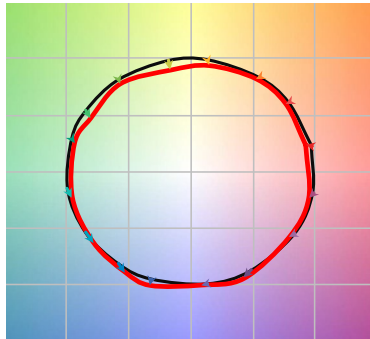
LUMEN MULTIPLIER

Option	27K8	30K8	35K8	40K8	50K8	27K9	30K9	35K9	40K9
Multiplier	0.94	0.98	1.00	1.01	1.02	0.81	0.84	0.85	0.85

Photometrics are published below at a nominal 3500 Kelvin, 80+ CRI. This table may be used to approximate the lumen values at different Kelvin temperatures. Power consumption would stay the same.

TM-30 DATA

COLOR VECTOR GRAPHIC 3500K, 90 CRI



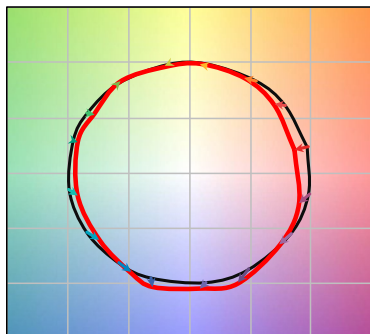
— Reference Illuminant — Test Source

COLOR DISTORTION GRAPHIC 3500K, 90 CRI



TEST RESULTS - 3500K		
Value	80+ CRI	90+ CRI
R _i	84	88
R _g	95	95
CCT (K)	3411	3419
D _{uv}	0.0015	0.0042
x	0.4120	0.4147
y	0.3974	0.4052
CIE R _a	84	93
CIE R _g	11	62

COLOR VECTOR GRAPHIC 3500K, 80 CRI



— Reference Illuminant — Test Source

COLOR DISTORTION GRAPHIC 3500K, 80 CRI



LTR-3RW-RH Lens

LITEISTRY 3" ROUND REMODEL LENSED WALL WASH (LWW)

ELECTRICAL DATA

DRIVER DATA	
Input Voltage	120-277V
Input Frequency	50/60 Hz
Power Factor	≥0.90
THD	<20%
EMI Filtering (FCC 47 CFR Part 15)	Class A

* Values for DM1 option shown, values for other dimming options may vary.

ADDITIONAL INFORMATION

Dimming Compatibility

For more details and recommended dimmer list, see Dimming Compatibility Information on currentlighting.com/prescolite.

Central Inverters

For full fixture output in back-up mode, we recommend you visit currentlighting.com/dual-lite for your Central Lighting Inverter options. Please contact your local Current representative for any assistance with proper sizing and loading of your inverter selection. Central lighting inverters must be ordered separately.