

# LTR-3RW Lens

LITEISTRY 3" ROUND LENSED WALL WASH (LWW)

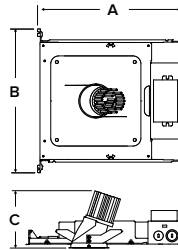
LITEISTRY™

## FEATURES

- 3" architectural LED lensed wall wash delivering 600–2000 lm
- Provides smooth, uniform vertical illumination
- 2700K–5000K, 80+ and 90+ CRI options
- Available for New Construction (non-IC), IC and Chicago Plenum applications
- Variety of dimming protocol options including 0-10V, DALI, DMX, and Lutron EcoSystem
- NX Lighting Controls wired and wireless controls capability available



## CONTROLS TECHNOLOGY



Typical Dimensions and Weights				
Lumen Package	"A" Length Inches (mm)	"B" Width Inches (mm)	"C" Height Inches (mm)	Weight lbs (kg)
06L - 20L	14.56 (370)	14.36 (365)	5.38 (137)	7.3 (3.3)

See DIMENSIONS section for complete details

## SPECIFICATIONS

### CONSTRUCTION

- Standard Non-IC, Chicago Plenum and IC options
- Painted black durable steel platform with pre-installed bar hangers
- Pre-wired junction box with snap-on covers for easy access
- Snap-in connection from driver compartment allows easy installation
- Light Engine connections use plenum rated (CMP) cable

### OPTICS

- Provides excellent uniformity down the wall
- The light distribution is free of distracting bright spots or pixelation and the perimeter has a smooth transition
- High purity spun aluminum reflector, self-flanged
- Flush mount flange option with mud-in ring available
- Large selection of anodized finishes and colors
- Painted cones and flange options available

### ELECTRICAL

- Chip-on-board (COB) with 2 SDCM
- Multiple CCTs, 80+ or 90+ CRI

### ELECTRICAL (CONTINUED)

- Long LED life: L90 at >55,000 hours (TM-21)
- Universal voltage 120V–277V driver, 347V optional
- UL Class 2, inherent short circuit and overload protection
- Flicker free 0-10V dimming with 1% or <1% performance
- DALI, DMX, and Lutron EcoSystem options
- NX Lighting Controls provides options for standalone and networked functionality with wired or wireless connectivity for NX system deployments
- Emergency battery pack option available with remote test switch and indicator light
- Refer to additional spec sheets for information on SpectraSync™ Tunable White or Dim-to-Warm solutions

### INSTALLATION

- Accommodates ceiling thickness up to 1.25"
- Universal adjustable mounting brackets also accept ½" EMT conduit or 1½" or ¾" lathing channel (by others) or Prescolite accessory bar hangers (B24 or B6)
- Driver and EMR battery pack are serviceable above ceiling only

### CERTIFICATIONS

- cCSAus certified to UL 1598
- Suitable for wet locations, covered ceiling EMR: Suitable for damp locations
- EMR: Certified under UL 924 standard for emergency lighting and power equipment
- EMR: Emergency battery packs are California Energy Commission (CEC) Title 20 Compliant
- Approved for 8 (4 in/4 out) No. 12AWG conductors rated for 90°C through wiring
- For -BAA Option: This product meets federal procurement law requirements under the Buy American Act (FAR 52.225-9) [See Buy America\(n\) Solutions](#)
- For -TAA Option: Product configurations meet federal procurement law requirements under the Trade Agreements Act (FAR 52.225-11) [See Buy America\(n\) Solutions](#)

### WARRANTY

- 5 year warranty

KEY DATA	
Lumen Range	600-2000
Wattage Range	8-25
Efficacy Range (LPW)	79*
Reported Life (Hours)	L90 / >55,000
Input Current (mA)	67-208 (120V)

\*Based on Specular, 35K, 80 CRI

# LTR-3RW Lens

LITEISTRY 3" ROUND LENSED WALL WASH (LWW)

## ORDERING GUIDE

Example: LTR-3RD-H-SL10L-DM1-LTR-3RW-T-SL35K8LWW-S

CATALOG #

### HOUSING

LTR-3RD-H		Lumen Package		Lumen Output		Driver Options		Control Options		Voltage		Housing Options	
Aperture/Shape/Function		SL Standard Lumen		ML Medium Lumen		DM1 0-10V Dimming to 1%		NX Lighting Controls		Standard 120-277V		CP Chicago Plenum 7,9	
LTR-3RD-H	3" Round Downlight / Wall Wash New Construction Housing	10L 1000		20L 2000		DM01 0-10V Dimming to < 1%		Networked Wireless		34 347V 6		IC IC rated 8,9	
		15L 1500				DMX DMX with RDM dimming to < 0.1%		NXW NX Networked Wireless Radio Module NXRM2 and Bluetooth Programming, without Sensor 4				EMR 7W Emergency Battery Pack (CEC Title 20 Compliant) with remote test switch and indicator light 9	
						DALI DALI Dimming to 1%		Networked Wired				DTS Device Transfer Switch with Dimming Bypass 9,10	
						EDM Lutron Hi-Lume EcoSystem Dimming to 1% 2		NXE NX Wired Dual RJ45 SmartPORTS, without Sensor 4				GTD Generator Transfer Device 9,11	
												F Fuse 9	
												BAA Buy American Act (FAR 52.225-9) Compliant	
												TAA Trade Agreements Act (FAR 52.225-11) Compliant	

### TRIM

LTR-3RW-T		Lumen Package		CCT		CRI		Distribution	
Aperture/Shape/Function		SL Standard Lumen		ML Medium Lumen				LWW Lensed Wall Wash	
LTR-3RW-T	3" Round Wall Wash Light Engine/Trim Assembly	27K 2700K		8 80+CRI		LWW Lensed Wall Wash			
		30K 3000K		9 90+CRI					
		35K 3500K							
		40K 4000K							
		50K 5000K 1							

### TRIM CONTINUED

Reflector Finish		Reflector Color		Flange Color Options		Reflector Options	
<i>Finish not applicable with painted reflectors (WC or BC)</i>		Standard Clear		Standard matches reflector color		AM Antimicrobial Coating 5	
S	Specular	CG	Champagne Gold	WT	White Flange 4	BAA Buy American Act (FAR 52.225-9) Compliant	
SS	Semi-Specular	BL	Black	BT	Black Flange 4	TAA Trade Agreements Act (FAR 52.225-11) Compliant	
MFC	American Matte™	LW	Light Wheat				
VS	Softglow®	PW	Pewter				
VSS	SoftSheen™	WC	Painted White Cone and Flange				
		BC	Painted Black Cone and Flange				

### Accessories

- B24** Set of two (2) 24" bar hangers for T-bar ceilings
- B6** Set of two bar hangers for ceiling joist up to 24" centers
- FMR3-R** Flush Mount Flange Mud-In Ring, 3" Round
- LiteGear** LiteGear® Inverter, 125VA-250VA
- LPS Series** LightPower Micro-Inverter, 20VA-55VA
- MOR3-R-WH** Metal Oversized Ring, 3" Round, White (6.75" outside diameter)
- MOR3-R-BL** Metal Oversized Ring, 3" Round, Black (6.75" outside diameter)



#### Notes:

- 1 5000K available in 80+ CRI only.
- 2 EDM available in 10L-20L.
- 3 NX requires DM1 driver option.
- 4 WT not needed for WC, BT not needed for BC.
- 5 AM available with WC or Specular Clear (S or SWT). Consult factory for other colors.
- 6 347V requires DM1 driver; not available with Controls, EMR, DTS, GTD or F.
- 7 Not available with DMX, Controls, or EMR options.
- 8 IC available up to 15L; not available with Controls options.
- 9 Housing options (except Fuse, BAA/TAA) not available in combination.
- 10 DTS available with DM1, DM01, or DALI. Not available with NXE.
- 11 Not available with NXE.

# LTR-3RW Lens

LITEISTRY 3" ROUND LENSED WALL WASH (LWW)

## NX LIGHTING CONTROLS

Control Option Ordering Logic & Description			Control Option Functionality								Control Option Components	
			Networkable	Grouping	Scheduling	Occupancy/Motion	Daylight Harvesting	0-10V Dimming	On/Off Control	Bluetooth App Programming		
NX Wireless	NXW	NX Networked Wireless Radio Module NXRM2 and Bluetooth Programming, without Sensor	✓	✓	✓	-	-	✓	✓	✓		NXRM2-H
NX Wired	NXE	NX Wired Dual RJ45 SmartPORTS, without Sensor	✓	✓	✓	-	-	✓	✓	✓ <sup>1</sup>		NXDSP

<sup>1</sup> Requires NXBTC, order separately.

### NX LIGHTING CONTROLS APP



The NX Lighting Controls App is a free to use mobile application for programming both an NX Lighting Controls System or Standalone Bluetooth Sensors. The mobile app allows you to configure devices, discover and setup wireless enabled luminaires and program your NX system settings.



Android



Apple iOS

## PERFORMANCE DATA TABLE

Performance data provided below is for 3500K, 80 CRI with Specular Clear reflector finish/color

Lumen Package	Nominal Lumens	Distribution	Delivered Lumens	Watts	LPW
06L	600	Lensed Wall Wash	656	7.8	84
10L	1000	Lensed Wall Wash	1055	11.9	89
15L	1500	Lensed Wall Wash	1527	18.6	82
20L	2000	Lensed Wall Wash	1974	25.0	79

# LTR-3RW Lens

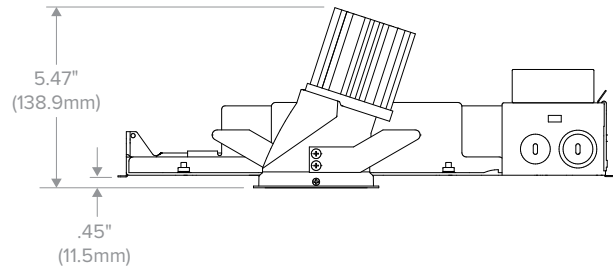
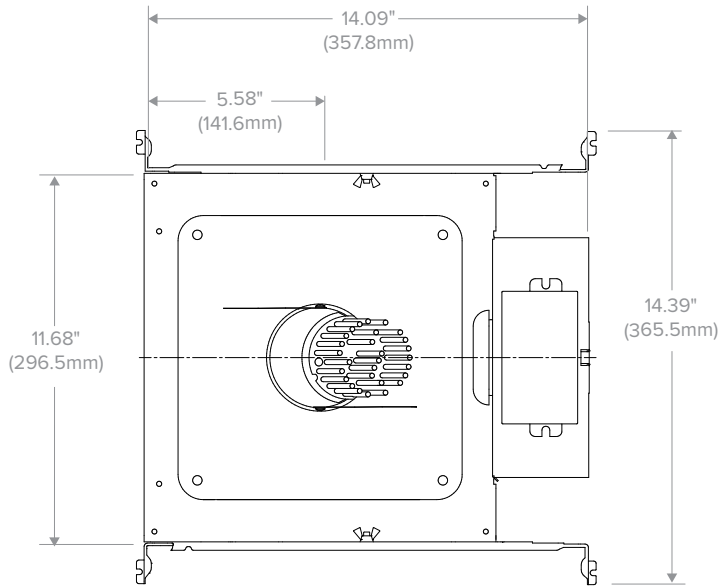
LITEISTRY 3" ROUND LENSED WALL WASH (LWW)

DATE: \_\_\_\_\_ LOCATION: \_\_\_\_\_

TYPE: \_\_\_\_\_ PROJECT: \_\_\_\_\_

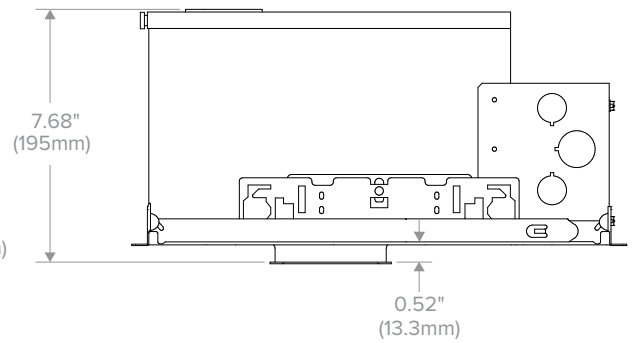
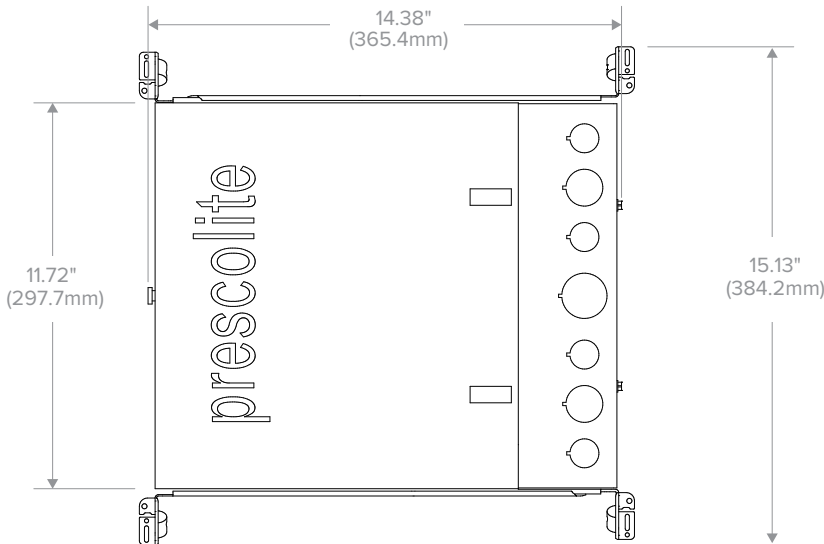
CATALOG #: \_\_\_\_\_

## DIMENSIONS



Dimensional Data		
Aperture		2.88" (73.2mm)
Flange	Standard	3.68" (93.5mm)
	Flush Mount	3.68" (93.5mm)
Ceiling Cutout	Standard	3.38" (85.9mm)
	Flush Mount	4.00" (101.6mm)
Ceiling Thickness		0.50" to 1.25" (12.7mm to 31.8mm)

LTR-3RW LENS-H



Dimensional Data		
Aperture		2.88" (73.2mm)
Flange	Standard	3.68" (93.5mm)
	Flush Mount	3.68" (93.5mm)
Ceiling Cutout	Standard	3.38" (85.9mm)
	Flush Mount	4.00" (101.6mm)
Ceiling Thickness		0.50" to 1.25" (12.7mm to 31.8mm)

LTR-3RW-H - IC/CP

# LTR-3RW Lens

LITEISTRY 3" ROUND LENSED WALL WASH (LWW)

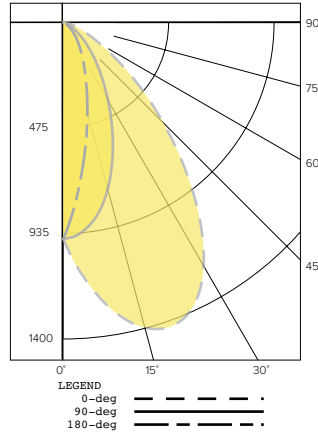
## PHOTOMETRY

### LTR-3RD-H-ML20L-DM1 / LTR-3RW-T-ML35K8LWW-S

#### LUMINAIRE DATA

Test No.	19.00751
Description	3" Wall-Wash; 2000lm 3500K, 80 CRI
Delivered Lumens	1974
Watts	25
Efficacy	78.8
Mounting	Recessed

#### POLAR GRAPH



#### CANDELA DISTRIBUTION

Degree	Candela
0	1554
5	1857
15	2267
25	2225
35	1697
45	1002
55	464
65	176
75	55
85	0
90	0

#### LUMINANCE DATA\*

Vertical Angle	Average
45°	33,2529
55°	189,834
65°	97,726
75°	49,867
85°	0

\*Candela/Square Meter

#### ZONAL LUMEN SUMMARY

Zone	Lumens	% Luminaire
0-40	1432	72.5
0-60	1894	95.9
0-90	1974	100.0
0-180	1974	100.0

#### LUMEN MULTIPLIER

Option	27K8	30K8	35K8	40K8	50K8	27K9	30K9	35K9	40K9
Multiplier	0.94	0.98	1.00	1.01	1.02	0.81	0.84	0.85	0.85

Photometrics are published below at a nominal 3500 Kelvin, 80+ CRI. This table may be used to approximate the lumen values at different Kelvin temperatures. Power consumption would stay the same.

#### REFLECTOR FINISH MULTIPLIER (Based on Clear (Standard) Color)

Option	Specular (S)	Semi-Specular (SS)	American Matte (MFC)	Softglow (VS)	Softsheen (VSS)
Multiplier	1	1	0.984	0.888	0.938

#### REFLECTOR COLOR MULTIPLIER (Based on Semi-Specular (SS) Finish)

Option	Clear (Standard)	Champagne Gold (CG)	Black (BL)	Light Wheat (LW)	Pewter (PW)	White Cone (WC)	Black Cone (BC)
Multiplier	1	0.974	0.444	0.861	0.915	0.984	0.442

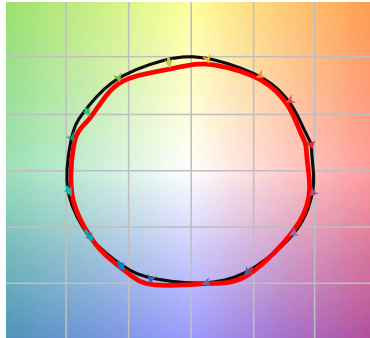
Multiply FINISH x COLOR to calculate other reflector finish and color combinations. Example: SoftGlow Pewter (VSPW) = 0.888 (VS) x 0.915 (PW) = 0.813

# LTR-3RW Lens

LITEISTRY 3" ROUND LENSED WALL WASH (LWW)

## TM-30 DATA

COLOR VECTOR GRAPHIC  
3500K, 90 CRI



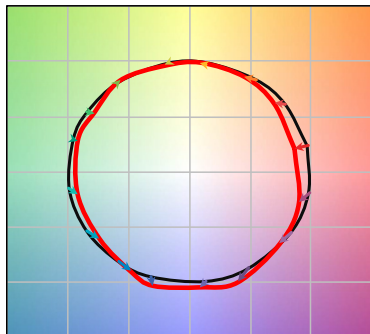
— Reference Illuminant — Test Source

COLOR DISTORTION GRAPHIC  
3500K, 90 CRI



TEST RESULTS - 3500K		
Value	80+ CRI	90+ CRI
R <sub>t</sub>	84	88
R <sub>g</sub>	95	95
CCT (K)	3411	3419
D <sub>uv</sub>	0.0015	0.0042
x	0.4120	0.4147
y	0.3974	0.4052
CIE R <sub>a</sub>	84	93
CIE R <sub>9</sub>	11	62

COLOR VECTOR GRAPHIC  
3500K, 80 CRI



— Reference Illuminant — Test Source

COLOR DISTORTION GRAPHIC  
3500K, 80 CRI



## ELECTRICAL DATA

DRIVER DATA		
Input Voltage	120-277V	347V
Input Frequency	50/60 Hz	50/60 Hz
Power Factor	≥0.90	≥0.90
THD	<20%	<20%
EMI Filtering (FCC 47 CFR Part 15)	Class A	Class A

\* Values for DM1 option shown, values for other dimming options may vary.

## ADDITIONAL INFORMATION

### Dimming Compatibility

For more details and recommended dimmer list, see Dimming Compatibility Information on [currentlighting.com/prescolite](http://currentlighting.com/prescolite).

### DMX

See instruction sheet on [currentlighting.com/prescolite](http://currentlighting.com/prescolite) for connection & installation information.

### Central Inverters

For full fixture output in back-up mode, we recommend you visit [currentlighting.com/dual-lite](http://currentlighting.com/dual-lite) for your Central Lighting Inverter options. Please contact your local Current representative for any assistance with proper sizing and loading of your inverter selection. Central lighting inverters must be ordered separately.

### Lumen Output in Emergency Mode

To determine the lumen output in emergency mode multiply the battery pack wattage by the fixture lumens per watt (LPW). For example, 7W x 120 LPW = 840 lumens in emergency mode.