

# LTR-3SQW-RH Lens

LITEISTRY 3" SQUARE REMODEL LENSED WALL WASH (LWW)

DATE: \_\_\_\_\_ LOCATION: \_\_\_\_\_  
 TYPE: \_\_\_\_\_ PROJECT: \_\_\_\_\_  
 CATALOG #: \_\_\_\_\_

## FEATURES

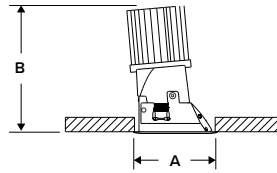
- 3" architectural LED remodel lensed wall wash delivering 600–2000 lm
- Provides smooth, uniform vertical illumination
- 2700K–5000K, 80+ and 90+ CRI options
- For Remodel (non-IC) install from below applications
- Standard with 0-10V to 1% dimming

LITEISTRY™



## SERVICE PROGRAMS

STOCK



Typical Dimensions and Weights			
Lumen Package	"A" Diameter Inches (mm)	"B" Height Inches (mm)	Weight lbs (kg)
06L - 20L	3.7 (94)	5.8 (139)	3.5 (1.6)

See DIMENSIONS section for complete details

## SPECIFICATIONS

### CONSTRUCTION

- Die cast and panelized aluminum construction with separate driver compartment and compact junction box
- Installs from below the ceiling after drywall with pre-installed retention springs; No plaster frame required
- Light Engine connections use plenum rated (CMP) cable

### OPTICS

- Reflector assembly with a satin diffuse acrylic lens
- Provides excellent uniformity down the wall
- The light distribution is free of distracting bright spots or pixelation and the perimeter has a smooth transition
- High purity four panel aluminum reflector, self-flanged
- Flush mount flange option with mud-in ring available
- Large selection of anodized finishes and colors
- Painted cones and flange options available

### ELECTRICAL

- Chip-on-board (COB) LED with 2 SDCM
- Multiple CCTs, 80+ or 90+ CRI
- Long LED life: L90 at >55,000 hours (TM-21)
- Universal voltage 120V–277V driver
- UL Class 2, inherent short circuit and overload protection
- Flicker free 0–10V dimming with 1% performance

### INSTALLATION

- Accommodates ceiling thickness up to 1.25"
- Remodel light engine/driver fully serviceable from above or below the ceiling

### CERTIFICATIONS

- cCSAus certified to UL 1598
- Suitable for wet locations, covered ceiling
- Approved for 4 (2 in/2 out) No. 12 AWG conductors rated for 90°C through wiring

### CERTIFICATIONS (CONTINUED)

- For -BAA Option: This product meets federal procurement law requirements under the Buy American Act (FAR 52.225-9) [See Buy America\(n\) Solutions](#)
- For -TAA Option: Product configurations meet federal procurement law requirements under the Trade Agreements Act (FAR 52.225-11) [See Buy America\(n\) Solutions](#)

### WARRANTY

- 5 year warranty

KEY DATA	
Lumen Range	600-2000
Wattage Range	8-25
Efficacy Range (LPW)	96*
Reported Life (Hours)	L90 / >55,000
Input Current (mA)	67–208 (120V)

\*Based on Specular, 35K, 80 CRI

# LTR-3SQW-RH Lens

LITEISTRY 3" SQUARE REMODEL LENSED WALL WASH (LWW)

Gray Shading = Service Program **STOCK**

## ORDERING GUIDE

Example: LTR-3SQD-RH-SL10L-DM1-LTR-3SQW-T-SL35K8LWW-S

CATALOG # \_\_\_\_\_

### HOUSING

LTR-3SQD-RH		Lumen Package		Lumen Output		Driver Options		Voltage		Housing Options	
Aperture/Shape/Function											
LTR-3SQD-RH	3" Square Downlight / Wall Wash Remodel Housing	SL	Standard Lumen	06L	600	DM1	0-10V Dimming to 1%	Standard	120-277V	BAA	Buy American Act (FAR 52.225-9) Compliant
				10L	1000						
				15L	1500					TAA	Trade Agreements Act (FAR 52.225-11) Compliant
		ML	Medium Lumen	20L	2000						

### TRIM

LTR-3SQW-T		Lumen Package		CCT		CRI		Distribution	
Aperture/Shape/Function									
LTR-3SQW-T	3" Square Wall Wash Light Engine/Trim Assembly	SL	Standard Lumen	27K	2700K	8	80+CRI	LWW	Lensed Wall Wash
				30K	3000K				
				35K	3500K				
				40K	4000K				
				50K	5000K <sup>1</sup>				

### TRIM CONTINUED

Reflector Finish		Reflector Color		Flange Color Options		Reflector Options	
<i>Finish not applicable with painted reflectors (WC or BC)</i>		Standard Clear		Standard matches reflector color		AM Antimicrobial Coating <sup>3</sup>	
S	Specular	CG	Champagne Gold	WT	White Flange <sup>2</sup>	BAA Buy American Act (FAR 52.225-9) Compliant	
SS	Semi-Specular	BL	Black	BT	Black Flange <sup>2</sup>	TAA Trade Agreements Act (FAR 52.225-11) Compliant	
VS	Softglow®	LW	Light Wheat				
VSS	SoftSheen™	PW	Pewter				
		WC	Painted White Cone and Flange				
		BC	Painted Black Cone and Flange				

### Accessories

- FMR3-SQ** Flush Mount Flange Mud-In Ring, 3" Square
- LiteGear** LiteGear® Inverter, 125VA–250VA
- LPS Series** LightPower Micro-Inverter, 20VA–55VA
- MOR3-SQ-WH** Metal Oversized Ring, 3" Square, White (6.75" outer dimension)
- MOR3-SQ-BL** Metal Oversized Ring, 3" Square, Black (6.75" outer dimension)

Notes:

- 1 5000K available in 80+ CRI only.
- 2 WT not needed for WC, BT not needed for BC.
- 3 AM available with WC or Specular Clear (S or SWT). Consult factory for other colors.

# LTR-3SQW-RH Lens

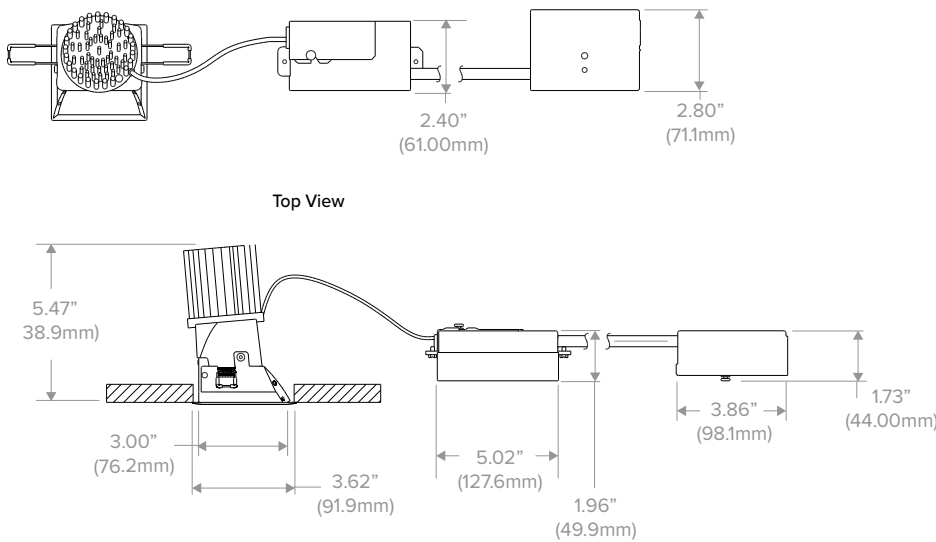
LITEISTRY 3" SQUARE REMODEL LENSED WALL WASH (LWW)

## PERFORMANCE DATA TABLE

Performance data provided below is for 3500K, 80 CRI with Specular Clear reflector finish/color

Lumen Package	Nominal Lumens	Distribution	Delivered Lumens	Watts	LPW
06L	600	Lensed Wall Wash	846	7.8	108
10L	1000	Lensed Wall Wash	1361	11.9	114
15L	1500	Lensed Wall Wash	1970	18.6	106
20L	2000	Lensed Wall Wash	2242	23.5	95

## DIMENSIONS



Dimensional Data		
Aperture		2.88" SQ. (73.2mm)
Flange	Standard	3.62" SQ. (91.9mm)
	Flush Mount	3.62" SQ. (91.9mm)
Ceiling Cutout	Standard	3.31" SQ. (84.1mm)
	Flush Mount	3.94" SQ (100.1mm)
Ceiling Thickness		0.50" to 1.25" (12.7mm to 31.8mm)

LTR-3SQW Lens-RH Remodel

# LTR-3SQW-RH Lens

LITEISTRY 3" SQUARE REMODEL LENSED WALL WASH (LWW)

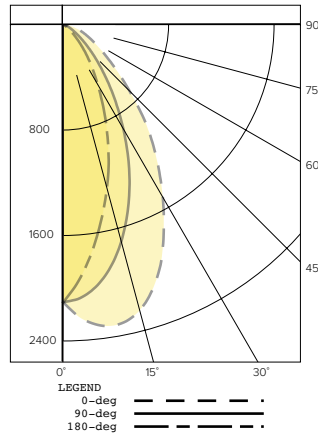
## PHOTOMETRY

### LTR-3SQD-RH-ML20L-DM1 / LTR-3SQW-T-ML35K8LWW-S

#### LUMINAIRE DATA

Test No.	R19.00982-C02
Description	3" Lensed Wall-Wash; 2000lm 3500K, 80 CRI
Delivered Lumens	2242
Watts	23.5W
Efficacy	95.6
Mounting	Recessed

#### POLAR GRAPH



#### CANDELA DISTRIBUTION

Degree	Candela
0	2114
5	2274
15	2250
25	1803
35	1233
45	708
55	367
65	194
75	85
85	0
90	0

#### LUMINANCE DATA\*

Vertical Angle	Average
45°	79596
55°	37884
65°	15593
75°	4129
85°	0

\*Candela/Square Meter

#### ZONAL LUMEN SUMMARY

Zone	Lumens	% Luminaire
0-40	1707	76.1
0-60	2150	95.9
0-90	2242	100.0
0-180	2242	100.0

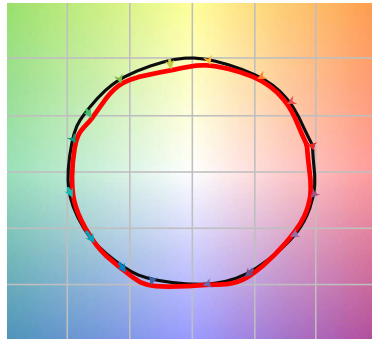
#### LUMEN MULTIPLIER

Option	27K8	30K8	35K8	40K8	50K8	27K9	30K9	35K9	40K9
Multiplier	0.94	0.98	1.00	1.01	1.02	0.81	0.84	0.85	0.85

Photometrics are published below at a nominal 3500 Kelvin, 80+ CRI. This table may be used to approximate the lumen values at different Kelvin temperatures. Power consumption would stay the same.

## TM-30 DATA

#### COLOR VECTOR GRAPHIC 3500K, 90 CRI



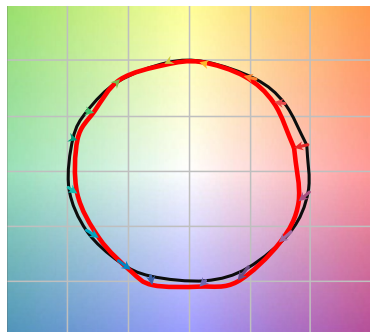
— Reference Illuminant — Test Source

#### COLOR DISTORTION GRAPHIC 3500K, 90 CRI



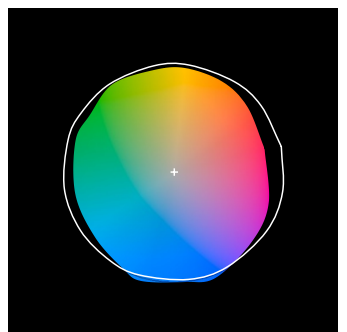
TEST RESULTS - 3500K		
Value	80+ CRI	90+ CRI
R <sub>i</sub>	84	88
R <sub>g</sub>	95	95
CCT (K)	3411	3419
D <sub>uv</sub>	0.0015	0.0042
x	0.4120	0.4147
y	0.3974	0.4052
CIE R <sub>a</sub>	84	93
CIE R <sub>g</sub>	11	62

#### COLOR VECTOR GRAPHIC 3500K, 80 CRI



— Reference Illuminant — Test Source

#### COLOR DISTORTION GRAPHIC 3500K, 80 CRI



# LTR-3SQW-RH Lens

LITEISTRY 3" SQUARE REMODEL LENSED WALL WASH (LWW)

## ELECTRICAL DATA

DRIVER DATA	
Input Voltage	120-277V
Input Frequency	50/60 Hz
Power Factor	≥0.90
THD	<20%
EMI Filtering (FCC 47 CFR Part 15)	Class A

## ADDITIONAL INFORMATION

### Dimming Compatibility

For more details and recommended dimmer list, see Dimming Compatibility Information on [currentlighting.com/prescolite](http://currentlighting.com/prescolite).

### Central Inverters

For full fixture output in back-up mode, we recommend you visit [currentlighting.com/dual-lite](http://currentlighting.com/dual-lite) for your Central Lighting Inverter options. Please contact your local Current representative for any assistance with proper sizing and loading of your inverter selection. Central lighting inverters must be ordered separately.