

# LTR-4RA

LITEISTRY 4" ROUND ADJUSTABLE

## FEATURES

- 4" architectural LED adjustable accent delivering 600–3500 lm
- Four field interchangeable beam distributions from 15° to 45°
- Translating center beam optic allows 0–35° vertical tilt, 362° horizontal rotation
- Select from three lower trim styles: Angle Cut Cone, Pinhole or Slot
- Accommodates up to two lens media including hexcell louver and linear spread options
- Variety of dimming protocol options including 0-10V, DALI, DMX, and Lutron EcoSystem
- NX Lighting Controls wired and wireless controls capability available



## CONTROLS TECHNOLOGY



## SPECIFICATIONS

### CONSTRUCTION

- Standard Non-IC. Chicago Plenum and IC options
- Painted black enclosed steel platform with tool-less top access and pre-installed bar hangers
- Smooth friction adjustment with 0-35° vertical tilt, 362° horizontal rotation without tools
- Precise hot aiming capability, securely locks with thumbscrews for dependable control

### OPTICS

- Translating center beam optic ensures full beam optimization from 0.5" to 1.25" ceiling thickness
- Proprietary twist-and-lock upper reflector with diffusion film provides 15°, 25°, 35° or 45° beam distributions
- Optional accessory lens media including linear spread and hexcell louver (order separately)
- Upper reflector can accommodate up to two additional lens media up to 0.25" max. thickness
- Provides dramatic, crisp highlights without distracting rings or excessive spill light
- Standard angle cut cone: High purity spun aluminum reflector, self-flanged
- Flush mount flange option with mud-in ring available
- Large selection of anodized finishes and colors
- Painted cones and flange options available

### OPTICS (CONTINUED)

- Optional pinhole or slot lower trim styles are available (painted finishes only)

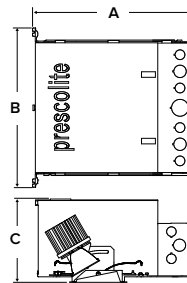
### ELECTRICAL

- Chip-on-board LED with 2 SDCM
- Multiple CCTs, 80+ or 90+ CRI
- Long LED life: L90 at > 55,000 hours (TM-21)
- Universal voltage 120V–277V driver, 347V optional
- UL Class 2, inherent short circuit and overload protection
- Flicker free 0-10V dimming with 1% or <1% performance
- DALI, DMX, and Lutron EcoSystem options
- NX Lighting Controls provides options for standalone and networked functionality with wired or wireless connectivity for NX system deployments
- Emergency Battery Pack option available with remote test switch and indicator light

### INSTALLATION

- Accommodates ceiling thickness up to 1.25"
- Universal adjustable mounting brackets also accept 1/2" EMT conduit or 1 1/2" or 3/4" lathing channel (by others) or Prescolite accessory bar hangers (B24 or B6)
- Light Engine and driver serviceable from above or below ceiling. Top access required for Controls, EMR, GTD, or DTS component replacement.

## LITEISTRY™



Typical Dimensions		
"A" Length Inches (mm)	"B" Width Inches (mm)	"C" Height Inches (mm)
14.56 (370)	14.36 (365)	7.48 (190)

See DIMENSIONS section for complete details

### CERTIFICATIONS

- cCSAus certified to UL 1598
- Suitable for damp locations
- EMR: Certified under UL 924 standard for emergency lighting and power equipment
- EMR: Emergency battery packs are California Energy Commission (CEC) Title 20 Compliant
- Approved for 8 (4 in/4 out) No. 12AWG conductors rated for 90°C through wiring
- For -BAA Option: This product meets federal procurement law requirements under the Buy American Act (FAR 52.225-9) [See Buy America\(n\) Solutions](#)
- For -TAA Option: Product configurations meet federal procurement law requirements under the Trade Agreements Act (FAR 52.225-11) [See Buy America\(n\) Solutions](#)

### WARRANTY

- 5 year warranty

KEY DATA	
Lumen Range	600-3500
Wattage Range	8-43
Efficacy Range (LPW)	77-85*
Reported Life (Hours)	L90 / >55,000
Input Current (mA)	67-358 (120V)

\*Based on Specular, 35K, 80 CRI

# LTR-4RA

LITEISTRY 4" ROUND ADJUSTABLE

## ORDERING GUIDE

Example: LTR-4RA-H-10L35K8NR-DM1-LTR-4RA-T-SSCG

CATALOG #

### HOUSING

LTR-4RA-H		Lumen Output		CCT		CRI		Distribution	
Aperture/Shape/Function									
LTR-4RA-H	4" Round Adjustable New Construction Housing	06L	600	27K	2700K	8	80+ CRI	NR	Narrow 15° <sup>14</sup>
		10L	1000	30K	3000K	9	90+ CRI	MD	Medium 25°
		15L	1500	35K	3500K			WD	Wide 35°
		20L	2000	40K	4000K			XW	Extra Wide 45°
		25L	2500	50K	5000K <sup>2</sup>				
		30L	3000						
		35L	3500						

### HOUSING (CONTINUED)

Driver Options		Control Options		Voltage		Housing Options	
DM1	0-10V Dimming to 1%	<b>NX Lighting Controls</b>		Standard 120-277V		CP	Chicago Plenum <sup>1,9</sup>
DM01	0-10V Dimming to < 1% <sup>13</sup>	<b>Networked Wireless</b>		34 347V <sup>8</sup>		IC	IC rated <sup>1,10</sup>
DMX	DMX with RDM dimming to < 0.1%	NXW NX Networked Wireless Radio Module NXRM2 and Bluetooth Programming, without Sensor <sup>4</sup>				EMR	7W Emergency Battery Pack (CEC Title 20 Compliant) with remote test switch and indicator light <sup>1</sup>
DALI	DALI Dimming to 1% <sup>13</sup>	<b>Networked Wired</b>				GTD	Generator Transfer Device <sup>1,16</sup>
EDM	Lutron Hi-Lume EcoSystem Dimming to 1% <sup>3</sup>	NXE NX Wired Dual RJ45 SmartPORTS, without Sensor <sup>4</sup>				DTS	Device Transfer Switch with Dimming Bypass <sup>1,15</sup>
						F	Fuse <sup>1</sup>
						BAA	Buy American Act (FAR 52.225-9) Compliant
						TAA	Trade Agreements Act (FAR 52.225-11) Compliant

### TRIM

LTR-4RA-T		Lower Trim Style		Reflector Finish		Reflector Color		Flange Color Options		Lower Trim Options		Reflector Options	
LTR-4RA-T	4" Round Adjustable Light Engine/Trim Assembly	Standard Angle Cut Cone		Finish not applicable with painted reflectors (WC or BC)		Standard Clear		Standard matches reflector color		FM Flush Mount Mud-in Ring <sup>7</sup>		AM Antimicrobial Coating <sup>6</sup>	
		PH	Pinhole <sup>11</sup>	S	Specular	CG	Champagne Gold	WT	White Flange <sup>5</sup>			BAA Buy American Act (FAR 52.225-9) Compliant	
		SLT	Slot <sup>11</sup>	SS	Semi-Specular	BL	Black	BT	Black Flange <sup>5</sup>			TAA Trade Agreements Act (FAR 52.225-11) Compliant	
				MFC	American Matte™	LW	Light Wheat						
				VS	Softglow®	PW	Pewter						
				VSS	SoftSheen™	WC	Painted White Cone and Flange						
						BC	Painted Black Cone and Flange						

### Accessories

- B24** Set of two (2) 24" bar hangers for T-bar ceilings
- B6** Set of two bar hangers for ceiling joist up to 24" centers
- FMR4-R** Flush Mount Mud-In Ring, 4" Round
- LiteGear** LiteGear® Inverter, 125VA-250VA
- LPS Series** LightPower Micro-Inverter, 20VA-55VA
- MOR4-R-WH** Metal Oversized Ring, 4" Round, White (8.25" outside diameter)
- MOR4-R-BL** Metal Oversized Ring, 4" Round, Black (8.25" outside diameter)

### Lens/Media Accessories

- LL4** Linear Spread Lens for 4" and 6" (MD, WD, XW)<sup>12</sup>
- LL4-NR** Linear Spread Lens for 4" and 6" (NR only)<sup>12</sup>
- PL4** Prismatic Lens for 4" and 6" (MD, WD, XW)<sup>12</sup>
- PL4-NR** Prismatic Lens for 4" and 6" (NR only)<sup>12</sup>
- SOL4** Solite Lens for 4" and 6" (MD, WD, XW)<sup>12</sup>
- SOL4-NR** Solite Lens for 4" and 6" (NR only)<sup>12</sup>
- HL4** Hexcell Louver Black for 4" and 6" (MD, WD, XW)<sup>12</sup>
- HL4-NR** Hexcell Louver Black for 4" and 6" (NR only)<sup>12</sup>

### Notes:

- 1 Housing options (except Fuse, BAA/TAA) not available in combination.
- 2 5000K available in 80+ CRI only.
- 3 EDM available in 10L-35L.
- 4 NX requires DM1 driver option.
- 5 WT not needed for WC, BT not needed for BC.
- 6 AM available with WC or Specular Clear (S or SWT). Consult factory for other colors.
- 7 Flush Mount Flange (FM) requires FMR accessory (sold separately).
- 8 347V available for 06L-30L; requires DM1 driver; not available with Controls, EMR, DTS, GTD or F.
- 9 CP available up to 15L; not available with DMX, Controls, or EMR options.
- 10 IC available up to 15L; not available with Controls options.
- 11 Pinhole and Slot available only in WC or BC painted colors.
- 12 Lens holder supplied with fixture accommodates up to 2 media (0.25" max. total thickness).
- 13 DM01, DALI available up to 20L.
- 14 Narrow (NR) available up to 20L.
- 15 DTS available with DM1, DM01, or DALI. Not available with NXE.
- 16 Not available with NXE.

# LTR-4RA

LITEISTRY 4" ROUND ADJUSTABLE

## NX LIGHTING CONTROLS



Control Option Ordering Logic & Description			Control Option Functionality								Control Option Components	
			Networkable	Grouping	Scheduling	Occupancy/Motion	Daylight Harvesting	0-10V Dimming	On/Off Control	Bluetooth App Programming		
NX Wireless	NXW	NX Networked Wireless Radio Module NXRM2 and Bluetooth Programming, without Sensor	✓	✓	✓	-	-	✓	✓	✓		NXRM2-H
NX Wired	NXE	NX Wired Dual RJ45 SmartPORTS, without Sensor	✓	✓	✓	-	-	✓	✓	✓ <sup>1</sup>		NXDSP

<sup>1</sup> Requires NXBTC, order separately.

### NX LIGHTING CONTROLS APP



The NX Lighting Controls App is a free to use mobile application for programming both an NX Lighting Controls System or Standalone Bluetooth Sensors. The mobile app allows you to configure devices, discover and setup wireless enabled luminaires and program your NX system settings.

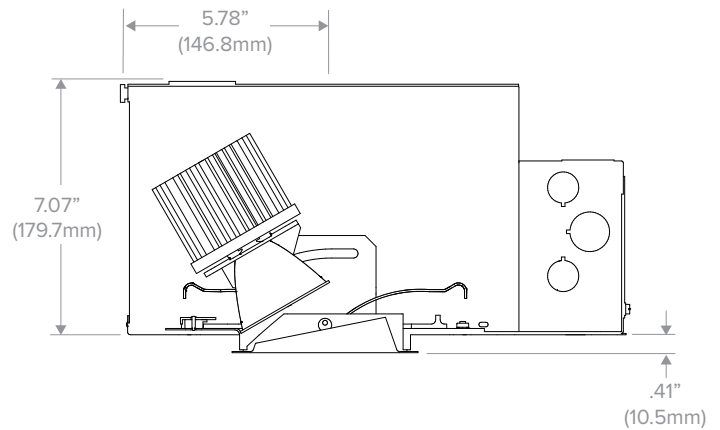
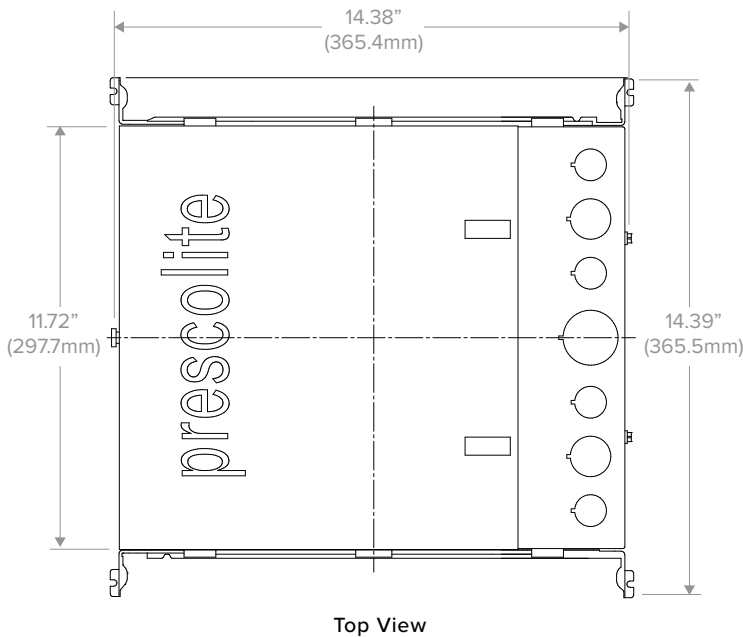


Android



Apple iOS

### DIMENSIONS



Dimensional Data		
Aperture		4.00" (101.6mm)
Flange	Standard	5.25" (133.4mm)
	Flush Mount	4.50" (114.3mm)
Ceiling Cutout	Standard	5.00" (127.0mm)
	Flush Mount	5.12" (130.0mm)
Ceiling Thickness		0.50" to 1.25" (12.7mm to 31.8mm)

# LTR-4RA

LITEISTRY 4" ROUND ADJUSTABLE

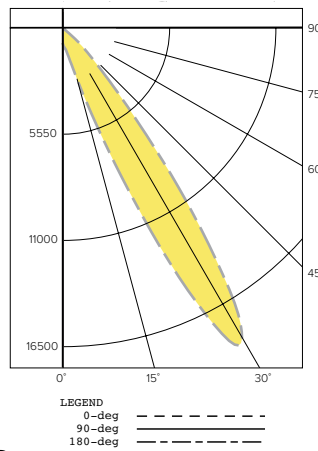
## PHOTOMETRY

### LTR-4RA-H-20L35K8NR-DM1 / LTR-4RA-T-S

#### LUMINAIRE DATA

Test No.	19.01187
Description	2000 lm, Narrow, 3500K, 80 CRI
Delivered Lumens	2111
Watts	24.9W
Efficacy	84.9
Mounting	Recessed
Beam Angle (FWHM)	15

#### POLAR GRAPH



#### CANDELA DISTRIBUTION

Degree	Candela
0	817
5	1016
15	2491
25	14210
35	11830
45	1896
55	77
65	16
75	2
85	0
90	0

#### LUMINANCE DATA\*

Vertical Angle	Average
45°	310991
55°	15570
65°	4391
75°	896
85°	0

\*Candela/Square Meter

#### ZONAL LUMEN SUMMARY

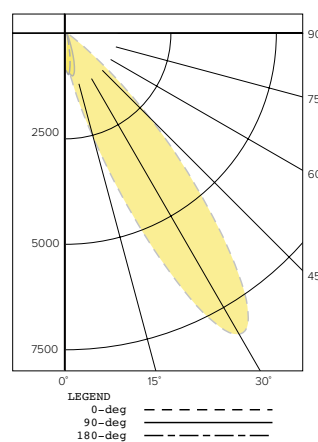
Zone	Lumens	% Luminaire
0-40	1869	88.5
0-60	2106	99.8
0-90	2111	100.0
0-180	2111	100.0

### LTR-4RA-H-20L35K8MD-DM1 / LTR-4RA-T-S

#### LUMINAIRE DATA

Test No.	19.01276
Description	2000 lm, Medium, 3500K, 80 CRI
Delivered Lumens	1918
Watts	22.5W
Efficacy	85.3
Mounting	Recessed
Beam Angle (FWHM)	23

#### POLAR GRAPH



#### CANDELA DISTRIBUTION

Degree	Candela
0	908
5	960
15	2727
25	6950
35	7254
45	2583
55	120
65	18
75	1
85	0
90	0

#### LUMINANCE DATA\*

Vertical Angle	Average
45°	423676
55°	24265
65°	4940
75°	448
85°	0

\*Candela/Square Meter

#### ZONAL LUMEN SUMMARY

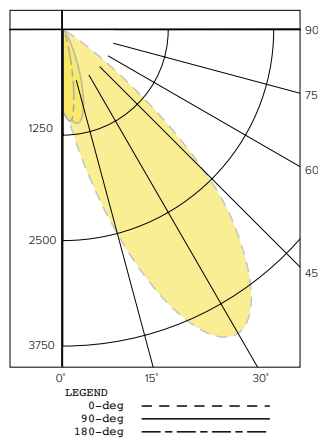
Zone	Lumens	% Luminaire
0-40	1596	77.5
0-60	1913	99.7
0-90	1918	100.0
0-180	1918	100.0

### LTR-4RA-H-20L35K8WD-DM1 / LTR-4RA-T-S

#### LUMINAIRE DATA

Test No.	19.01277
Description	2000 lm, Wide, 3500K, 80 CRI
Delivered Lumens	1826
Watts	22.5W
Efficacy	81.2
Mounting	Recessed
Beam Angle (FWHM)	35

#### POLAR GRAPH



#### CANDELA DISTRIBUTION

Degree	Candela
0	966
5	1181
15	2510
25	3938
35	3891
45	2374
55	418
65	42
75	1
85	0
90	0

#### LUMINANCE DATA\*

Vertical Angle	Average
45°	389395
55°	84524
65°	11526
75°	448
85°	0

\*Candela/Square Meter

#### ZONAL LUMEN SUMMARY

Zone	Lumens	% Luminaire
0-40	1426	75.3
0-60	1816	99.5
0-90	1826	100.0
0-180	1826	100.0

# LTR-4RA

LITEISTRY 4" ROUND ADJUSTABLE

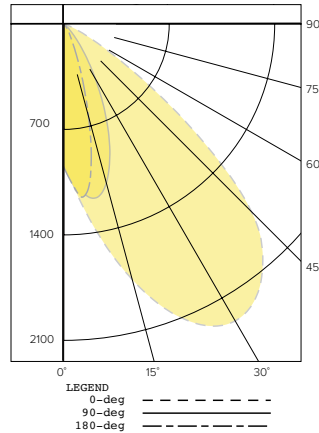
## PHOTOMETRY CONTINUED

### LTR-4RA-H-20L35K8XW-DM1 / LTR-4RA-T-S

#### LUMINAIRE DATA

Test No.	19.01223
Description	2000 lm, Extra Wide, 3500K, 80 CRI
Delivered Lumens	1721
Watts	22.5W
Efficacy	76.6
Mounting	Recessed
Beam Angle (FWHM)	49

#### POLAR GRAPH



#### CANDELA DISTRIBUTION

Degree	Candela
0	950
5	1162
15	1756
25	2207
35	2221
45	1763
55	629
65	115
75	4
85	0
90	0

#### LUMINANCE DATA\*

Vertical Angle	Average
45°	289176
55°	127190
65°	31561
75°	1792
85°	0

\*Candela/Square Meter

#### ZONAL LUMEN SUMMARY

Zone	Lumens	% Luminaire
0-40	1266	73.6
0-60	1694	98.5
0-90	1721	100.0
0-180	1721	100.0

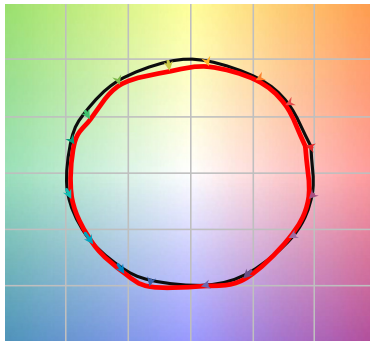
#### LUMEN MULTIPLIER

Option	27K8	30K8	35K8	40K8	50K8	27K9	30K9	35K9	40K9
Multiplier	0.94	0.98	1.00	1.01	1.02	0.81	0.84	0.85	0.85

Photometrics are published below at a nominal 3500 Kelvin, 80+ CRI. This table may be used to approximate the lumen values at different Kelvin temperatures. Power consumption would stay the same.

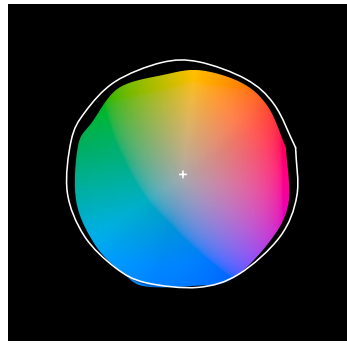
## TM-30 DATA

#### COLOR VECTOR GRAPHIC 3500K, 90 CRI



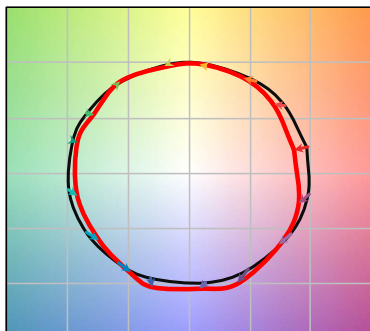
— Reference Illuminant — Test Source

#### COLOR DISTORTION GRAPHIC 3500K, 90 CRI



TEST RESULTS - 3500K		
Value	80+ CRI	90+ CRI
R <sub>t</sub>	84	88
R <sub>g</sub>	95	95
CCT (K)	3411	3419
D <sub>uv</sub>	0.0015	0.0042
x	0.4120	0.4147
y	0.3974	0.4052
CIE R <sub>a</sub>	84	93
CIE R <sub>g</sub>	11	62

#### COLOR VECTOR GRAPHIC 3500K, 80 CRI



— Reference Illuminant — Test Source

#### COLOR DISTORTION GRAPHIC 3500K, 80 CRI



# LTR-4RA

LITEISTRY 4" ROUND ADJUSTABLE

DATE:	LOCATION:
TYPE:	PROJECT:
CATALOG #:	

## ELECTRICAL DATA

DRIVER DATA		
Input Voltage	120-277 V	347 V
Input Frequency	50/60 Hz	50/60 Hz
Power Factor	≥0.90	≥0.90
THD	<20%	<20%
EMI Filtering (FCC 47 CFR Part 15)	Class A	Class A

\* Values for DM1 option shown, values for other dimming options may vary.

## ADDITIONAL INFORMATION

### Dimming Compatibility

For more details and recommended dimmer list, see Dimming Compatibility Information on [currentlighting.com/prescolite](http://currentlighting.com/prescolite).

### DMX

See instruction sheet on [currentlighting.com/prescolite](http://currentlighting.com/prescolite) for connection & installation information.

### Central Inverters

For full fixture output in back-up mode, we recommend you visit [currentlighting.com/dual-lite](http://currentlighting.com/dual-lite) for your Central Lighting Inverter options. Please contact your local Current representative for any assistance with proper sizing and loading of your inverter selection. Central lighting inverters must be ordered separately.

### Lumen Output in Emergency Mode

To determine the lumen output in emergency mode multiply the battery pack wattage by the fixture lumens per watt (LPW). For example, 7W x 120 LPW = 840 lumens in emergency mode.