

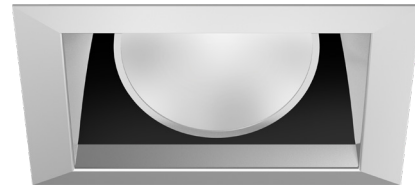
LTR-4SQA

LITEISTRY 4" SQUARE ADJUSTABLE

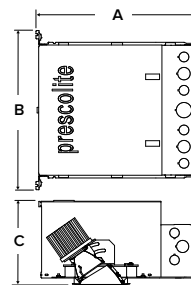
LITEISTRY™

FEATURES

- 4" architectural LED adjustable accent delivering 600–3500 lm
- Four field interchangeable beam distributions from 15° to 45°
- Translating center beam optic allows 0–35° vertical tilt, 362° horizontal rotation
- Accommodates up to two lens media including hexcell louver and linear spread options
- Variety of dimming protocol options including 0-10V, DALI, DMX, and Lutron EcoSystem
- NX Lighting Controls wired and wireless controls capability available



CONTROLS TECHNOLOGY



Typical Dimensions		
"A" Length Inches (mm)	"B" Width Inches (mm)	"C" Height Inches (mm)
14.56 (370)	14.36 (365)	7.48 (190)

See DIMENSIONS section for complete details

SPECIFICATIONS

CONSTRUCTION

- Standard Non-IC. Chicago Plenum and IC options
- Painted black enclosed steel platform with tool-less top access and pre-installed bar hangers
- Smooth friction adjustment with 0-35° vertical tilt, 362° horizontal rotation without tools
- Precise hot aiming capability, securely locks with thumbscrews for dependable control

OPTICS

- Translating center beam optic ensures full beam optimization from 0.5" to 1.25" ceiling thickness
- Proprietary twist-and-lock upper reflector with diffusion film provides 15°, 25°, 35° or 45° beam distributions
- Optional accessory lens media including linear spread and hexcell louver (order separately)
- Upper reflector can accommodate up to two additional lens media up to 0.25" max. thickness
- Provides dramatic, crisp highlights without distracting rings or excessive spill light
- Standard angle cut cone: High purity, four-panel aluminum reflector, self-flanged
- Flush mount flange option with mud-in ring available

OPTICS (CONTINUED)

- Large selection of anodized finishes and colors
- Painted cones and flange options available

ELECTRICAL

- Chip-on-board (COB) LED with 2 SDCM
- Multiple CCTs, 80+ or 90+ CRI
- Universal voltage 120V–277V driver, 347V optional
- UL Class 2, inherent short circuit and overload protection
- DALI, DMX, and Lutron EcoSystem options
- NX Lighting Controls provides options for standalone and networked functionality with wired or wireless connectivity for NX system deployments
- Emergency battery pack option available with remote test switch and indicator light

INSTALLATION

- Accommodates ceiling thickness up to 1.25"
- Universal adjustable mounting brackets also accept 1/2" EMT conduit or 1/2" or 3/4" lathing channel (by others) or Prescolite accessory bar hangers (B24 or B6)
- Light Engine and driver serviceable from above or below ceiling. Top access required for Controls, EMR, GTD, or DTS component replacement.

CERTIFICATIONS

- cCSAus certified to UL 1598
- Suitable for damp locations
- EMR: Certified UL 924 standard for emergency lighting and power equipment
- EMR: Emergency battery packs are California Energy Commission (CEC) Title 20 Compliant
- Approved for 8 (4 in/4 out) No. 12AWG conductors rated for 90°C through wiring
- For -BAA Option: This product meets federal procurement law requirements under the Buy American Act (FAR 52.225-9) [See Buy America\(n\) Solutions](#)
- For -TAA Option: Product configurations meet federal procurement law requirements under the Trade Agreements Act (FAR 52.225-11) [See Buy America\(n\) Solutions](#)

WARRANTY

- 5 year warranty

KEY DATA	
Lumen Range	600–3500
Wattage Range	8–43
Efficacy Range (LPW)	71–86*
Reported Life (Hours)	L90 / >55,000
Input Current (mA)	67–358 (120V)

*Based on Specular, 35K, 80 CRI

LTR-4SQA

LITEISTRY 4" SQUARE ADJUSTABLE

DATE: _____ LOCATION: _____

TYPE: _____ PROJECT: _____

CATALOG #: _____

ORDERING GUIDE

Example: LTR-4SQA-H-10L35K8NR-DM1-LTR-4SQA-T-SSCG

CATALOG #

HOUSING

LTR-4SQA-H		Lumen Output		CCT		CRI		Distribution	
Aperture/Shape/Function									
LTR-4SQA-H	4" Square Adjustable New Construction Housing	06L	600	27K	2700K	8	80+ CRI	NR	Narrow 15° ¹³
		10L	1000	30K	3000K	9	90+ CRI	MD	Medium 25°
		15L	1500	35K	3500K			WD	Wide 35°
		20L	2000	40K	4000K			XW	Extra Wide 45°
		25L	2500	50K	5000K ²				
		30L	3000						
		35L	3500						

HOUSING (CONTINUED)

Driver Options		Control Options		Voltage		Housing Options	
DM1	0-10V Dimming to 1%	NX Lighting Controls		Standard 120-277V		CP	Chicago Plenum ^{1,9}
DM01	0-10V Dimming to < 1% ¹²	Networked Wireless				IC	IC rated ^{1,10}
DMX	DMX with RDM dimming to < 0.1%	NXW NX Networked Wireless Radio Module NXRM2 and Bluetooth Programming, without Sensor ⁴		34 347V ⁸		EMR	7W Emergency Battery Pack (CEC Title 20 Compliant) with remote test switch and indicator light ¹
DALI	DALI Dimming to 1% ¹²	Networked Wired				GTD	Generator Transfer Device ^{1,15}
EDM	Lutron Hi-Lume EcoSystem Dimming to 1% ³	NXE NX Wired Dual RJ45 SmartPORTS, without Sensor ⁴				DTS	Device Transfer Switch with Dimming Bypass ^{1,14}
						F	Fuse ¹
						BAA	Buy American Act (FAR 52.225-9) Compliant
						TAA	Trade Agreements Act (FAR 52.225-11) Compliant

TRIM

LTR-4SQA-T		Lower Trim Style		Reflector Finish		Reflector Color		Flange Color Options		Lower Trim Options		Reflector Options	
LTR-4SQA-T	4" Square Adjustable Trim Assembly	Standard Angle Cut Cone		Finish not applicable with painted reflectors (WC or BC)		Standard Clear		Standard matches reflector color		FM Flush Mount Mud-in Ring ⁷		AM Antimicrobial Coating ⁶	
		S Specular		CG Champagne Gold		WT White Flange ⁵						BAA Buy American Act (FAR 52.225-9) Compliant	
		SS Semi-Specular		BL Black		BT Black Flange ⁵						TAA Trade Agreements Act (FAR 52.225-11) Compliant	
		VS Softglow [®]		LW Light Wheat									
		PW Pewter		WC Painted White Cone and Flange									
		BC Painted Black Cone and Flange											

Accessories

- B24** Set of two (2) 24" bar hangers for T-bar ceilings
- B6** Set of two bar hangers for ceiling joist up to 24" centers
- FMR4-SQ** Flush Mount Mud-In Ring, 4" Square
- LiteGear** LiteGear[®] Inverter, 125VA-250VA
- LPS Series** LightPower Micro-Inverter, 20VA-55VA
- MOR4-SQ-WH** Metal Oversized Ring, 4" Square, White (8.25" outer dimension)
- MOR4-SQ-BL** Metal Oversized Ring, 4" Square, Black (8.25" outer dimension)

Lens/Media Accessories

- LL4** Linear Spread Lens for 4" and 6" (MD, WD, XW)¹¹
- LL4-NR** Linear Spread Lens for 4" and 6" (NR only)¹¹
- PL4** Prismatic Lens for 4" and 6" (MD, WD, XW)¹¹
- PL4-NR** Prismatic Lens for 4" and 6" (NR only)¹¹
- SOL4** Solite Lens for 4" and 6" (MD, WD, XW)¹¹
- SOL4-NR** Solite Lens for 4" and 6" (NR only)¹¹
- HL4** Hexcell Louver Black for 4" and 6" (MD, WD, XW)¹¹
- HL4-NR** Hexcell Louver Black for 4" and 6" (NR only)¹¹

Notes:

- 1 Housing options (except Fuse, BAA/TAA) not available in combination.
- 2 5000K available in 80+ CRI only.
- 3 EDM available in 10L-35L.
- 4 NX requires DM1 driver option.
- 5 WT not needed for WC, BT not needed for BC.
- 6 AM available with WC or Specular Clear (S or SWT). Consult factory for other colors.
- 7 Flush Mount Flange (FM) requires FMR accessory (sold separately).
- 8 347V available for 06L-30L; requires DM1 driver; not available with Controls, EMR, DTS, GTD or F.
- 9 CP available up to 15L; not available with DMX, Controls, or EMR options.
- 10 IC available up to 15L; not available with Controls options.
- 11 Lens holder supplied with fixture accommodates up to 2 media (0.25" total max. thickness).
- 12 DM01, DALI available up to 20L.
- 13 Narrow (NR) available up to 20L.
- 14 DTS available with DM1, DM01, or DALI. Not available with NXE.
- 15 Not available with NXE.

NX LIGHTING CONTROLS



Control Option Ordering Logic & Description			Control Option Functionality								Control Option Components	
			Networkable	Grouping	Scheduling	Occupancy/Motion	Daylight Harvesting	0-10V Dimming	On/Off Control	Bluetooth App Programming		
NX Wireless	NXW	NX Networked Wireless Radio Module NXRM2 and Bluetooth Programming, without Sensor	✓	✓	✓	-	-	✓	✓	✓		NXRM2-H
NX Wired	NXE	NX Wired Dual RJ45 SmartPORTS, without Sensor	✓	✓	✓	-	-	✓	✓	✓ ¹		NXDSP

1 Requires NXBTC, order separately.

NX LIGHTING CONTROLS APP



The NX Lighting Controls App is a free to use mobile application for programming both an NX Lighting Controls System or Standalone Bluetooth Sensors. The mobile app allows you to configure devices, discover and setup wireless enabled luminaires and program your NX system settings.

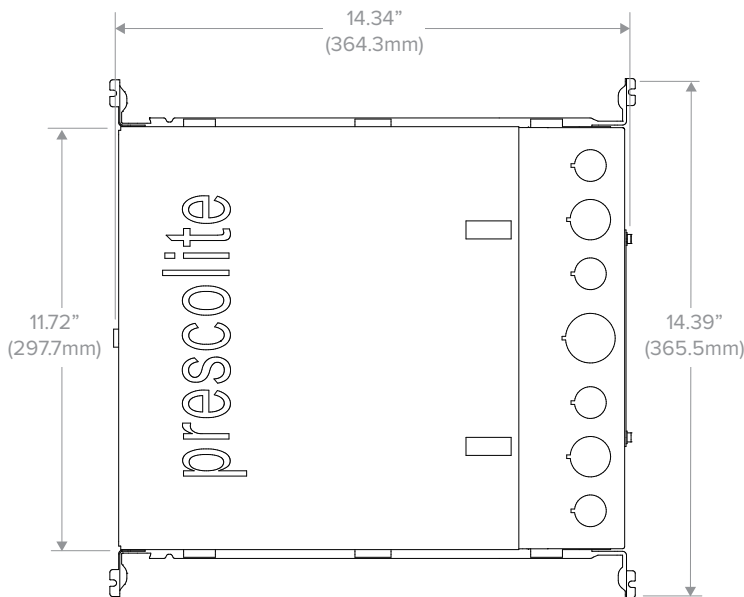


Android

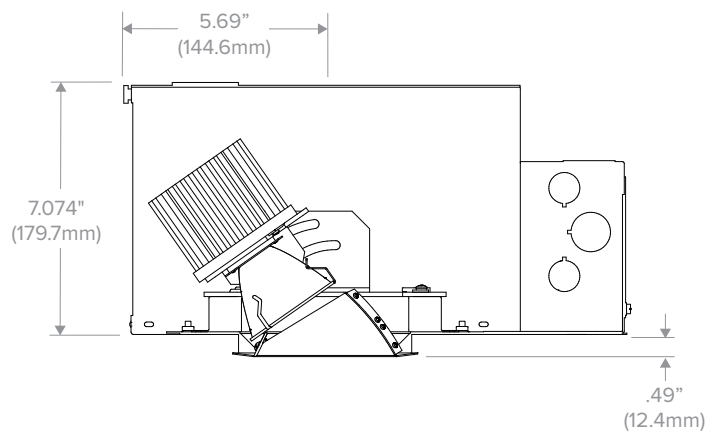


Apple iOS

DIMENSIONS



Top View



Dimensional Data		
Aperture		4.00" (101.6mm) SQ
Flange	Standard	5.25" (133.4mm) SQ
	Flush Mount	4.69" (119.1mm) SQ
Ceiling Cutout	Standard	5.00" (127.0mm) SQ
	Flush Mount	5.00" (127.0mm) SQ
Ceiling Thickness		0.5" to 1.25" (12.7mm to 31.8mm)

LTR-4SQA

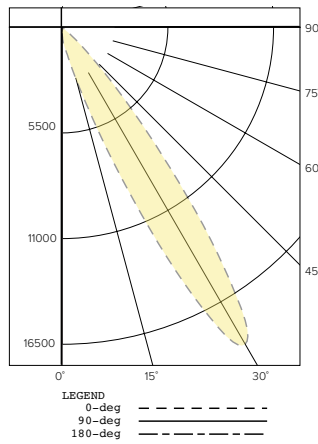
LITEISTRY 4" SQUARE ADJUSTABLE

LTR-4SQA-H-20L35K8NR-DM1 / LTR-4SQA-T-S

LUMINAIRE DATA

Test No.	19.01142
Description	2000 lm, Narrow, 3500K, 80 CRI
Delivered Lumens	2135
Watts	24.8W
Efficacy	86.0
Mounting	Recessed
Beam Angle (FWHM)	15

POLAR GRAPH



CANDELA DISTRIBUTION

Degree	Candela-0	Candela-45	Candela-90
0	341	341	341
5	850	723	336
15	2797	1164	302
25	13950	1290	150
35	13470	890	30
45	1991	79	11
55	68	23	4
65	26	6	1
75	1	1	0
85	0	0	0
90	0	0	0

ZONAL LUMEN SUMMARY

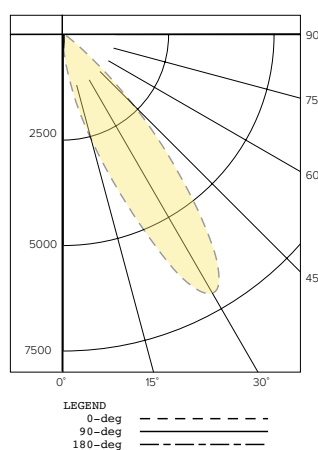
Zone	Lumens	% Luminaire
0-40	1859	87.1
0-60	2130	99.8
0-90	2135	100.0
0-180	2135	100.0

LTR-4SQA-H-20L35K8MD-DM1 / LTR-4SQA-T-S

LUMINAIRE DATA

Test No.	19.01340
Description	2000 lm, Medium, 3500K, 80 CRI
Delivered Lumens	1631
Watts	21.9W
Efficacy	74.4
Mounting	Recessed
Beam Angle (FWHM)	24

POLAR GRAPH



CANDELA DISTRIBUTION

Degree	Candela-0	Candela-45	Candela-90
0	334	334	334
5	774	618	325
15	2672	1356	252
25	6131	1408	123
35	6166	915	42
45	2135	140	13
55	88	32	5
65	14	7	0
75	0	1	0
85	0	0	0
90	0	0	0

ZONAL LUMEN SUMMARY

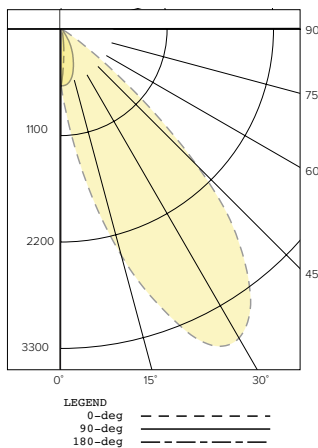
Zone	Lumens	% Luminaire
0-30	763	46.8
0-40	1324	81.2
0-60	1627	99.7
0-90	1631	100

LTR-4SQA-H-20L35K8WD-DM1 / LTR-4SQA-T-S

LUMINAIRE DATA

Test No.	19.01341
Description	2000 lm, Wide, 3500K, 80 CRI
Delivered Lumens	1564
Watts	21.9W
Efficacy	71.4
Mounting	Recessed
Beam Angle (FWHM)	47

POLAR GRAPH



CANDELA DISTRIBUTION

Degree	Candela-0	Candela-45	Candela-90
0	586	586	586
5	1033	881	577
15	2435	1536	466
25	3591	1586	278
35	3414	1126	113
45	1971	377	27
55	287	65	8
65	30	11	1
75	0	1	0
85	0	0	0
90	0	0	0

ZONAL LUMEN SUMMARY

Zone	Lumens	% Luminaire
0-40	1194	76.3
0-60	1555	99.4
0-90	1564	100.0
0-180	1564	100.0

LTR-4SQA

LITEISTRY 4" SQUARE ADJUSTABLE

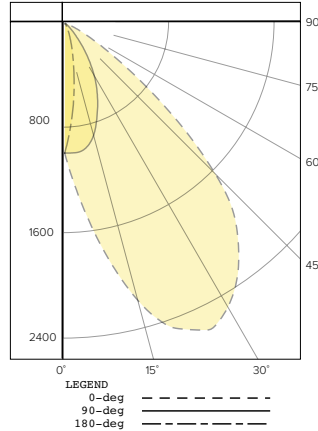
PHOTOMETRY

LTR-4SQA-H-20L35K8XW-DM1 / LTR-4SQA-T-S

LUMINAIRE DATA

Test No.	19.01169
Description	2000 lm, Extra Wide, 3500K, 80 CRI
Delivered Lumens	1745
Watts	22.4W
Efficacy	77.9
Mounting	Recessed
Beam Angle (FWHM)	47

POLAR GRAPH



CANDELA DISTRIBUTION

Degree	Candela-0	Candela-45	Candela-90
0	986	986	986
5	1347	1244	986
15	2192	1727	865
25	2568	1789	582
35	2293	1378	285
45	1610	662	77
55	520	174	16
65	91	26	1
75	0	1	1
85	0	0	0
90	0	0	0

ZONAL LUMEN SUMMARY

Zone	Lumens	% Luminaire
0-40	1281	73.4
0-60	1721	98.6
0-90	1745	100.0
0-180	1745	100.0

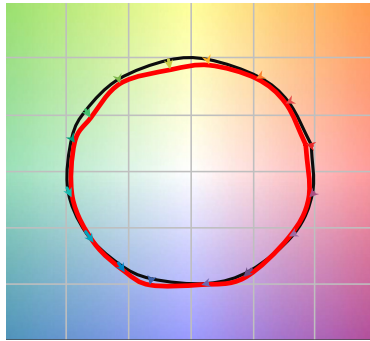
LUMEN MULTIPLIER

Option	27K8	30K8	35K8	40K8	50K8	27K9	30K9	35K9	40K9
Multiplier	0.94	0.98	1.00	1.01	1.02	0.81	0.84	0.85	0.85

Photometrics are published below at a nominal 3500 Kelvin, 80+ CRI. This table may be used to approximate the lumen values at different Kelvin temperatures. Power consumption would stay the same.

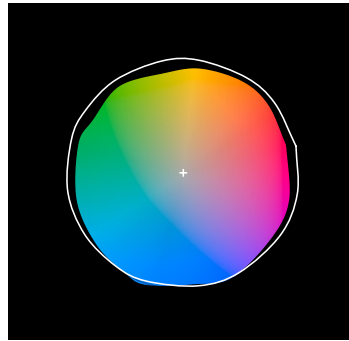
TM-30 DATA

COLOR VECTOR GRAPHIC 3500K, 90 CRI



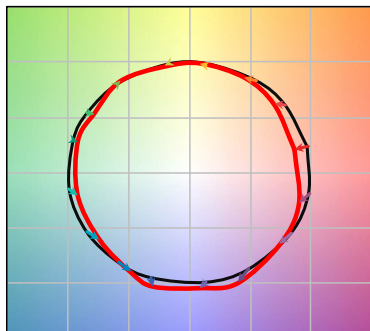
— Reference Illuminant — Test Source

COLOR DISTORTION GRAPHIC 3500K, 90 CRI



TEST RESULTS - 3500K		
Value	80+ CRI	90+ CRI
R _t	84	88
R _g	95	95
CCT (K)	3411	3419
D _{uv}	0.0015	0.0042
x	0.4120	0.4147
y	0.3974	0.4052
CIE R _a	84	93
CIE R ₉	11	62

COLOR VECTOR GRAPHIC 3500K, 80 CRI



— Reference Illuminant — Test Source

COLOR DISTORTION GRAPHIC 3500K, 80 CRI



LTR-4SQA

LITEISTRY 4" SQUARE ADJUSTABLE

DATE: _____ LOCATION: _____

TYPE: _____ PROJECT: _____

CATALOG #: _____

ELECTRICAL DATA

DRIVER DATA		
Input Voltage	120-277V	347V
Input Frequency	50/60 Hz	50/60 Hz
Power Factor	≥0.90	≥0.90
THD	<20%	<20%
EMI Filtering (FCC 47 CFR Part 15)	Class A	Class A

* Values for DM1 option shown, values for other dimming options may vary.

ADDITIONAL INFORMATION

Dimming Compatibility

For more details and recommended dimmer list, see Dimming Compatibility Information on currentlighting.com/prescolite.

DMX

See instruction sheet on currentlighting.com/prescolite for connection & installation information.

Central Inverters

For full fixture output in back-up mode, we recommend you visit currentlighting.com/dual-lite for your Central Lighting Inverter options. Please contact your local Current representative for any assistance with proper sizing and loading of your inverter selection. Central lighting inverters must be ordered separately.

Lumen Output in Emergency Mode

To determine the lumen output in emergency mode multiply the battery pack wattage by the fixture lumens per watt (LPW). For example, 7W x 120 LPW = 840 lumens in emergency mode.