

LTR-4SQD (SH)

LITEISTRY 4" SQUARE
 NON-CONDUCTIVE SHOWER DOWNLIGHT

LITEISTRY™

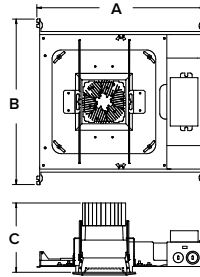
FEATURES

- 4" architectural LED downlight delivering 600 – 2500 lm
- Non-conductive dead-front trim with four regressed lens options
- Suitable for wet locations, covered ceiling
- IP65 rated (room side)
- NSF2 Splash/Non-Food Zone certified
- Anti-microbial finish, optional
- 2700K - 5000K, 80+ and 90+ CRI options
- Available for New Construction (non-IC), IC and Chicago Plenum applications
- Variety of dimming protocol options including 0-10V, DALI, DMX, and Lutron EcoSystem



SERVICE PROGRAMS

tradeSELECT™ QS10



Typical Dimensions and Weights				
Lumen Package	"A" Length Inches (mm)	"B" Width Inches (mm)	"C" Height Inches (mm)	Weight lbs (kg)
06L - 15L	14.56 (370)	14.36 (365)	4.97 (126)	8 (3.6)
20L - 25L	14.56 (370)	14.36 (365)	6.15 (156)	8.4 (3.8)

See DIMENSIONS section for complete details

CONTROLS TECHNOLOGY



SPECIFICATIONS

CONSTRUCTION

- Standard Non-IC. Chicago Plenum and IC options
- Painted black durable steel platform with pre-installed bar hangers
- Pre-wired junction box with snap-on covers for easy access
- Snap-in connection from driver compartment allows easy installation
- Light Engine connections use plenum rated (CMP) cable

OPTICS

- Durable, non-conductive trim with 1/2" regressed lens
- Lens options include acrylic, polycarbonate, or tempered glass micro-prism, and clear acrylic
- Smooth room side lens surface for easy wipe down
- Available in white, black, or anti-microbial white trim color

ELECTRICAL

- Chip-on-board LED with 2 SDCM
- Multiple CCTs, 80+ or 90+ CRI
- Long LED life: L90 at >55,000 hours (TM-21)
- Universal voltage 120V–277V driver, 347V optional

ELECTRICAL (CONTINUED)

- UL Class 2, inherent short circuit and overload protection
- Flicker free 0-10V dimming with 1% or <1% performance
- DALI, DMX, and Lutron EcoSystem options
- NX Lighting Controls provides options for standalone and networked functionality with wired or wireless connectivity for NX system deployments
- Emergency battery pack option available with remote test switch and indicator light

INSTALLATION

- Accommodates ceiling thickness up to 1.25"
- Universal adjustable mounting brackets also accept 1/2" EMT conduit or 1/2" or 3/4" lathing channel (by others) or Prescolite accessory bar hangers (B24 or B6)
- Light Engine/Driver fully serviceable from above or below the ceiling

CERTIFICATIONS

- cCSAus certified to UL 1598
- IP65 rated (room side) when properly installed per installation instructions
- NSF2 Splash/Non-Food Zone certified
- Suitable for wet locations, covered ceiling. EMR: Suitable for damp locations.

CERTIFICATIONS (CONTINUED)

- EMR: Certified under UL 924 standard for emergency lighting and power equipment
- EMR: Emergency battery packs are California Energy Commission (CEC) Title 20 Compliant
- Approved for 8 (4 in/4 out) No. 12AWG conductors rated for 90°C through wiring
- For -BAA Option: This product meets federal procurement law requirements under the Buy American Act (FAR 52.225-9) [See Buy America\(n\) Solutions](#)
- For -TAA Option: Product configurations meet federal procurement law requirements under the Trade Agreements Act (FAR 52.225-11) [See Buy America\(n\) Solutions](#)

WARRANTY

- 5 year warranty

KEY DATA	
Lumen Range	600–2500
Wattage Range	8–28
Efficacy Range (LPW)	56–59*
Reported Life (Hours)	L90 / >55,000
Input Current (mA)	67–233 (120V)

*Based on 35K, 80 CRI

LTR-4SQD (SH)

LITEISTRY 4" SQUARE
NON-CONDUCTIVE SHOWER DOWNLIGHT

ORDERING GUIDE

Gray Shading = Service Program **tradeSELECT** **QS10**
Limit of 150 Luminaires

Example: LTR-4SQD-H-SL10L-DM1-LTR-4SQD-T-SHSL35K8-WTAML

CATALOG # _____

HOUSING

LTR-4SQD-H		Lumen Package		Lumen Output		Driver Options		Control Options		Voltage		Housing Options	
Aperture/Shape/Function		SL Standard Lumen		06L 600		DM1 0-10V Dimming to 1%		NX Lighting Controls		Standard 120-277V		CP Chicago Plenum ^{1,8}	
LTR-4SQD-H	4" Square Downlight New Construction Housing			10L 1000		DM01 0-10V Dimming to < 1%		Networked Wireless		34 347V ⁶		IC IC Rated ^{1,9}	
				15L 1500		DMX DMX with RDM dimming to < 0.1%		NXW NX Networked Wireless Radio Module NXRM2 and Bluetooth Programming, without Sensor ⁴				EMR 7W Emergency Battery Pack (CEC Title 20 Compliant) with remote test switch and indicator light ¹	
		ML Medium Lumen		20L 2000		DALI DALI Dimming to 1%		Networked Wired				DTS Device Transfer Switch with Dimming Bypass ^{1,7}	
				25L 2500		EDM Lutron Hi-Lume EcoSystem Dimming to 1% ³		NXE NX Wired Dual RJ45 SmartPORTS, without Sensor ⁴				GTD Generator Transfer Device ^{1,10}	
												F Fuse ¹	
												BAA Buy American Act (FAR 52.225-9) Compliant	
												TAA Trade Agreements Act (FAR 52.225-11) Compliant	

TRIM

LTR-4SQD-T		Trim Style		Lumen Package		CCT		CRI	
Aperture/Shape/Function		SH Non-Conductive Shower Trim		SL Standard Lumen		27K 2700K		8 80+CRI	
LTR-4SQD-T	4" Square Downlight Light Engine/Trim Assembly			ML Medium Lumen <td colspan="2">30K 3000K <td colspan="2">9 90+CRI </td></td>		30K 3000K <td colspan="2">9 90+CRI </td>		9 90+CRI	
						35K 3500K			
						40K 4000K			
						50K 5000K ²			

TRIM CONTINUED

Trim Color		Lens Options		Options	
WT	White Trim and Flange	AML	Acrylic, Micro-prism	AM	Antimicrobial ⁵
BT	Black Trim and Flange	PML	Polycarbonate, Micro-prism	BAA	Buy American Act (FAR 52.225-9) Compliant
		GML	Tempered glass, Micro-prism	TAA	Trade Agreements Act (FAR 52.225-11) Compliant
		ACL	Acrylic, Clear		

Accessories

- B24** Set of two (2) 24" bar hangers for T-bar ceilings
- B6** Set of two bar hangers for ceiling joist up to 24" centers
- LiteGear** LiteGear® Inverter, 125VA-250VA
- LPS Series** LightPower Micro-Inverter, 20VA-55VA

Notes:

- 1 Housing options (except Fuse, BAA/TAA) not available in combination
- 2 5000K is available in 80+ CRI only.
- 3 EDM available in 10L-25L.
- 4 NX requires DM1 driver option.
- 5 AM available with White (WT) only. Consult factory for other colors.
- 6 347V requires DM1 driver; not available with Controls, EMR, DTS, GTD or F.
- 7 DTS available with DM1, DM01, or DALI. Not available with NXE.
- 8 CP available up to 20L; not available with DMX, Controls, or EMR options.
- 9 IC available up to 20L; not available with Controls options.
- 10 Not available with NXE.

LTR-4SQD (SH)

LITEISTRY 4" SQUARE
NON-CONDUCTIVE SHOWER DOWNLIGHT

NX LIGHTING CONTROLS



Control Option Ordering Logic & Description			Control Option Functionality								Control Option Components	
			Networkable	Grouping	Scheduling	Occupancy/Motion	Daylight Harvesting	0-10V Dimming	On/Off Control	Bluetooth App Programming		
NX Wireless	NXW	NX Networked Wireless Radio Module NXRM2 and Bluetooth Programming, without Sensor	✓	✓	✓	-	-	✓	✓	✓		NXRM2-H
NX Wired	NXE	NX Wired Dual RJ45 SmartPORTS, without Sensor	✓	✓	✓	-	-	✓	✓	✓ ¹		NXDSP

¹ Requires NXBTC, order separately.

NX LIGHTING CONTROLS APP



The NX Lighting Controls App is a free to use mobile application for programming both an NX Lighting Controls System or Standalone Bluetooth Sensors. The mobile app allows you to configure devices, discover and setup wireless enabled luminaires and program your NX system settings.



Android



Apple iOS

PERFORMANCE DATA TABLE

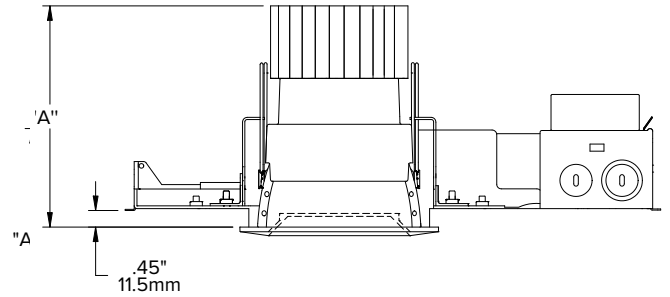
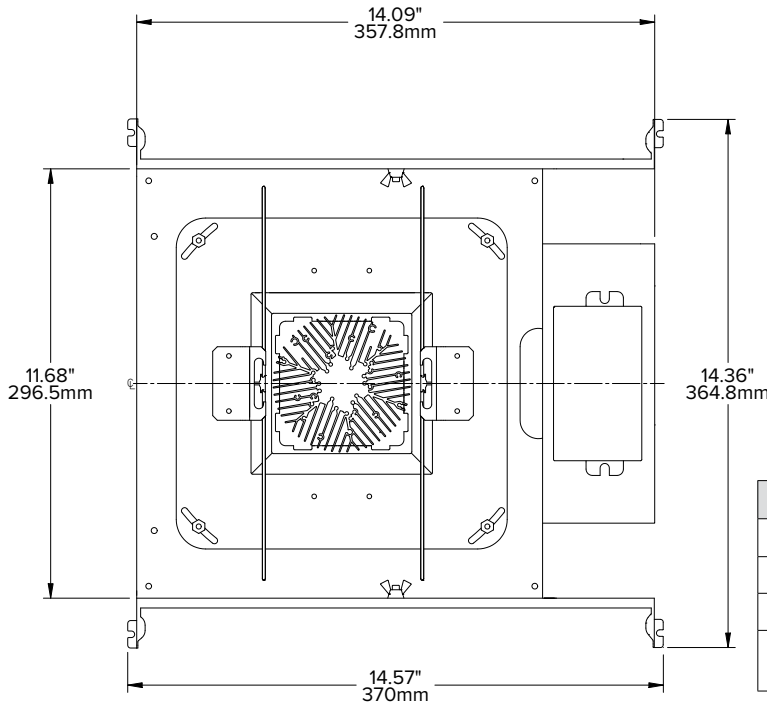
Performance data provided below is for 3500K, 80 CRI.

Lumen Package	Nominal Lumens	Lens Description	Delivered Lumens	Watts	LPW
06L	600	Acrylic Micro-prism	416	7.8	53
		Polycarbonate Micro-prism	400	7.8	51
		Tempered Glass Micro-prism	416	7.8	53
		Acrylic Clear	418	7.8	54
10L	1000	Acrylic Micro-prism	665	12.0	55
		Polycarbonate Micro-prism	640	12.0	53
		Tempered Glass Micro-prism	665	12.0	55
		Acrylic Clear	669	12.0	56
15L	1500	Acrylic Micro-prism	952	18.6	51
		Polycarbonate Micro-prism	915	18.6	49
		Tempered Glass Micro-prism	951	18.6	51
		Acrylic Clear	957	18.6	51
20L	2000	Acrylic Micro-prism	1290	22.1	58
		Polycarbonate Micro-prism	1240	22.1	56
		Tempered Glass Micro-prism	1289	22.1	58
		Acrylic Clear	1297	22.1	59
25L	2500	Acrylic Micro-prism	1583	27.8	57
		Polycarbonate Micro-prism	1521	27.8	55
		Tempered Glass Micro-prism	1581	27.8	57
		Acrylic Clear	1591	27.8	57

LTR-4SQD (SH)

LITEISTRY 4" SQUARE
NON-CONDUCTIVE SHOWER DOWNLIGHT

DIMENSIONS

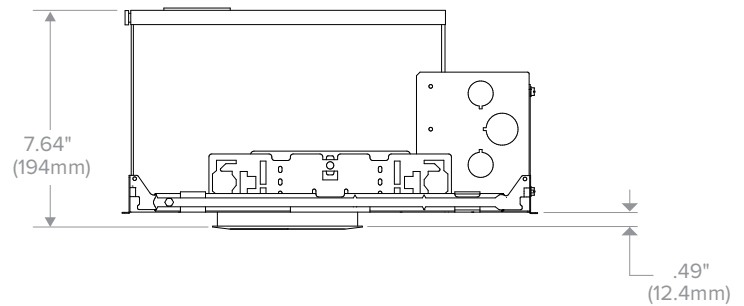
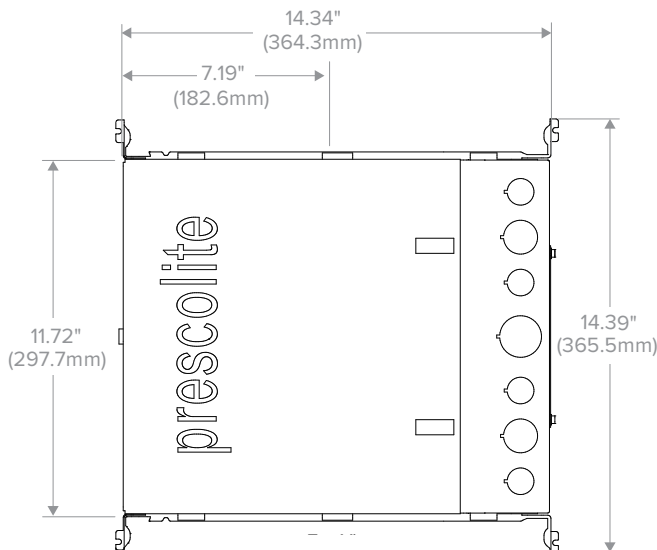


Dimensional Data	
Aperture	4.00" (101.6mm) SQ
Flange	Standard 5.40" (137.1mm) SQ
Ceiling Cutout	Standard 5.00" (127.0mm) SQ
Ceiling Thickness	0.50" to 1.25" (12.7mm to 31.8mm)

Lumen Package	"A"
06L-15L	4.97" (126.2mm)
20L-25L	6.15" (156.2mm)

Top View

LTR-4SQD-H New Construction



Dimensional Data	
Aperture	4.00" (101.6mm) SQ
Flange	Standard 5.40" (137.1mm) SQ
Ceiling Cutout	Standard 5.00" (127.0mm) SQ
Ceiling Thickness	0.50" to 1.25" (12.7mm to 31.8mm)

LTR-4SQD-H-SH (IC/CP)

LTR-4SQD (SH)

LITEISTRY 4" SQUARE
NON-CONDUCTIVE SHOWER DOWNLIGHT

PHOTOMETRY

LTR-4SQD-H-ML20L-DM1 / LTR-4SQD-T-SHML35K8-WTAML

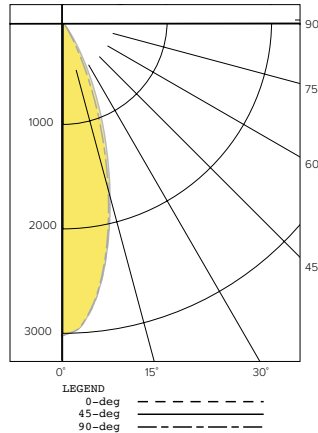
LUMINAIRE DATA

Test No.	20.01204
Description	2000 lm, Acrylic Micro-prism lens, 3500K, 80 CRI
Delivered Lumens	1290
Watts	22.1W
Efficacy	58.3
Mounting	Recessed
Spacing Criterion	0.6

ZONAL LUMEN SUMMARY

Zone	Lumens	% Luminaire
0-40	1189	92.1
0-60	1272	98.6
0-90	1290	100.0
0-180	1290	100.0

POLAR GRAPH



CANDELA DISTRIBUTION

Degree	Candela - 0	Candela - 45	Candela - 90
0	2966	2966	2966
5	2797	2794	2788
15	1743	1773	1713
25	657	781	626
35	181	236	167
45	70	74	67
55	29	31	27
65	12	13	11
75	5	5	5
85	0	0	0
90	0	0	0

LTR-4SQD-H-ML20L-DM1 / LTR-4SQD-T-SHML35K8-WTPML

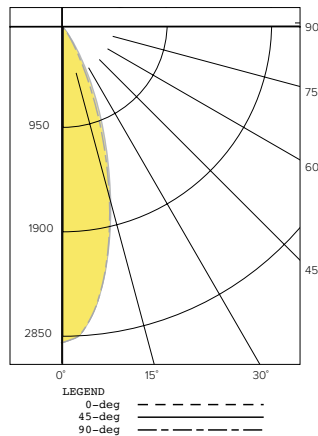
LUMINAIRE DATA

Test No.	20.01205
Description	2000 lm, Polycarbonate Micro-prism lens, 3500K, 80 CRI
Delivered Lumens	1240
Watts	22.1W
Efficacy	56.0
Mounting	Recessed
Spacing Criterion	0.6

ZONAL LUMEN SUMMARY

Zone	Lumens	% Luminaire
0-40	1144	92.3
0-60	1224	98.7
0-90	1240	100.0
0-180	1240	100.0

POLAR GRAPH



CANDELA DISTRIBUTION

Degree	Candela - 0	Candela - 45	Candela - 90
0	2841	2841	2841
5	2677	2678	2678
15	1655	1703	1667
25	608	751	635
35	164	228	176
45	65	71	67
55	26	29	27
65	10	11	11
75	4	4	5
85	0	0	0
90	0	0	0

LTR-4SQD-H-ML20L-DM1 / LTR-4SQD-T-SHML35K8-WTGML

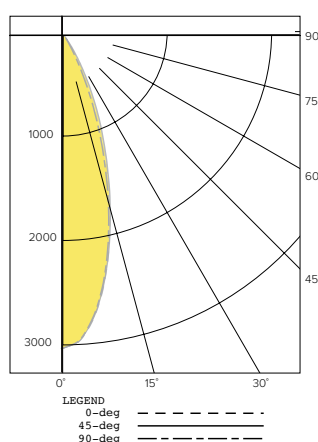
LUMINAIRE DATA

Test No.	20.01206
Description	2000 lm, Tempered Glass Micro-prism lens, 3500K, 80 CRI
Delivered Lumens	1289
Watts	22.1W
Efficacy	58.3
Mounting	Recessed
Spacing Criterion	0.6

ZONAL LUMEN SUMMARY

Zone	Lumens	% Luminaire
0-40	1193	92.5
0-60	1273	98.7
0-90	1289	100.0
0-180	1289	100.0

POLAR GRAPH



CANDELA DISTRIBUTION

Degree	Candela - 0	Candela - 45	Candela - 90
0	2976	2976	2976
5	2811	2805	2798
15	1755	1780	1719
25	671	784	623
35	183	235	161
45	69	72	63
55	28	29	25
65	11	11	10
75	5	4	5
85	0	0	0
90	0	0	0

LTR-4SQD (SH)

LITEISTRY 4" SQUARE
NON-CONDUCTIVE SHOWER DOWNLIGHT

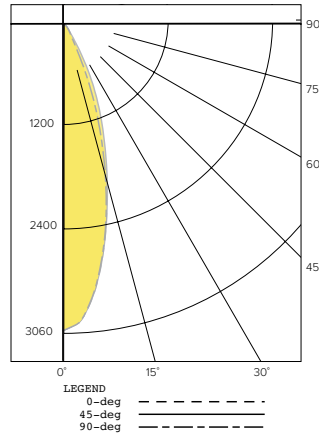
PHOTOMETRY CONTINUED

LTR-4SQD-H-ML20L-DM1 / LTR-4SQD-T-SHML35K8-WTACL

LUMINAIRE DATA

Test No.	20.01207
Description	2000 lm, Acrylic Clear lens, 3500K, 80 CRI
Delivered Lumens	1297
Watts	22.1W
Efficacy	58.7
Mounting	Recessed
Spacing Criterion	0.5

POLAR GRAPH



CANDELA DISTRIBUTION

Degree	Candela - 0	Candela - 45	Candela - 90
0	3493	3493	3493
5	3247	3243	3240
15	1882	1935	1863
25	540	849	539
35	134	176	133
45	61	59	60
55	38	52	39
65	16	20	17
75	6	6	6
85	0	0	0
90	0	0	0

ZONAL LUMEN SUMMARY

Zone	Lumens	% Luminaire
0-40	1223	94.3
0-60	1287	99.2
0-90	1297	100.0
0-180	1297	100.0

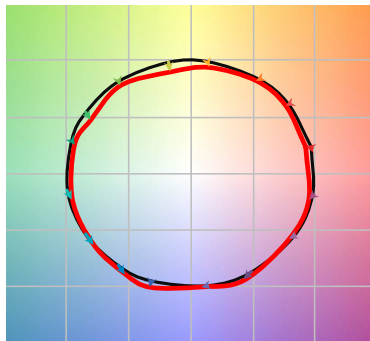
LUMEN MULTIPLIER

Option	27K8	30K8	35K8	40K8	50K8	27K9	30K9	35K9	40K9
Multiplier	0.94	0.98	1.00	1.01	1.02	0.81	0.84	0.85	0.85

Photometrics are published below at a nominal 3500 Kelvin, 80+ CRI. This table may be used to approximate the lumen values at different Kelvin temperatures. Power consumption would stay the same.

TM-30 DATA

COLOR VECTOR GRAPHIC 3500K, 90 CRI



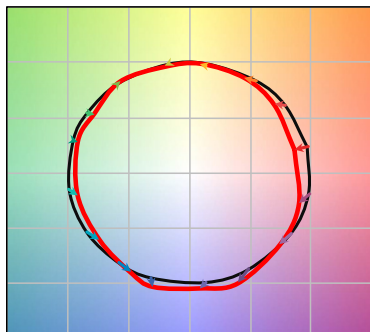
— Reference Illuminant — Test Source

COLOR DISTORTION GRAPHIC 3500K, 90 CRI



TEST RESULTS - 3500K		
Value	80+ CRI	90+ CRI
R _t	84	88
R _g	95	95
CCT (K)	3411	3419
D _{uv}	0.0015	0.0042
x	0.4120	0.4147
y	0.3974	0.4052
CIE R _a	84	93
CIE R _g	11	62

COLOR VECTOR GRAPHIC 3500K, 80 CRI



— Reference Illuminant — Test Source

COLOR DISTORTION GRAPHIC 3500K, 80 CRI



LTR-4SQD (SH)

LITEISTRY 4" SQUARE
NON-CONDUCTIVE SHOWER DOWNLIGHT

ELECTRICAL DATA

DRIVER DATA		
Input Voltage	120-277 V	347 V
Input Frequency	50/60 Hz	50/60 Hz
Power Factor	≥0.90	≥0.90
THD	<20%	<20%
EMI Filtering (FCC 47 CFR Part 15)	Class A	Class A

* Values for DM1 option shown, values for other dimming options may vary.

ADDITIONAL INFORMATION

Dimming Compatibility

For more details and recommended dimmer list, see Dimming Compatibility Information on currentlighting.com/prescolite.

DMX

See instruction sheet on currentlighting.com/prescolite for connection & installation information.

Central Inverters

For full fixture output in back-up mode, we recommend you visit currentlighting.com/dual-lite for your Central Lighting Inverter options. Please contact your local Current representative for any assistance with proper sizing and loading of your inverter selection. Central lighting inverters must be ordered separately.

Lumen Output in Emergency Mode

To determine the lumen output in emergency mode multiply the battery pack wattage by the fixture lumens per watt (LPW). For example, 7W x 120 LPW = 840 lumens in emergency mode.