

LTR-6RD

LITEISTRY 6" ROUND DOWNLIGHT

DATE:	LOCATION:
TYPE:	PROJECT:
CATALOG #:	

FEATURES

- 6" architectural LED downlight delivering 600 – 9000 lm
- Five beam distributions from 0.3 to 1.1 Spacing Criteria
- Quiet reflector appearance with superior 50° optical cutoff
- 2700K – 5000K, 80+ and 90+ CRI options
- Available for New Construction (non-IC), IC and Chicago Plenum applications
- Variety of dimming protocol options including 0–10V, DALI, DMX, and Lutron EcoSystem
- NX Lighting Controls wired and wireless controls capability available



CONTROLS TECHNOLOGY



SPECIFICATIONS

CONSTRUCTION

- Standard Non-IC, Chicago Plenum and IC options
- Painted black durable steel platform with pre-installed bar hangers
- Pre-wired junction box with snap-on covers for easy access
- Snap-in connection from driver compartment allows easy installation
- Light Engine connections use plenum rated (CMP) cable

OPTICS

- Visually pleasing 50° cutoff to source and source image
- The light distribution is free of distracting bright spots or pixelation and the perimeter has a smooth transition
- Optical grade silicone lens integral to light engine
- High purity spun aluminum reflector, self-flanged
- Flush Mount flange option with mud-in ring available
- Large selection of anodized finishes and colors
- Painted cones and flange options available

ELECTRICAL

- Chip-on-board LED with 2 SDCM
- Multiple CCTs, 80+ or 90+ CRI
- Long LED life: L90 at >55,000 hours (TM-21)
- Universal voltage 120V–277V driver, 347V optional
- UL Class 2, inherent short circuit and overload protection

ELECTRICAL (CONTINUED)

- Flicker free 0-10V dimming with 1% or <1% performance
- DALI, DMX, and Lutron EcoSystem options
- NX Lighting Controls provides options for standalone and networked functionality with wired or wireless connectivity for NX system deployments
- Lutron Athena control options also available
- Integral and remote controller and battery pack options available
- Refer to additional spec sheets for information on SpectraSync™ Tunable White or Dim-to-Warm or solutions

INSTALLATION

- Accommodates ceiling thickness up to 2" (SL, ML, HL); up to 1.25" (VL, XL) (See DIMENSIONS section for details)
- Universal adjustable mounting brackets also accept 1/2" EMT conduit or 1/2" or 3/4" lathing channel (by others) or Prescolite accessory bar hangers (B24 or B6)
- Light Engine/Driver fully serviceable from above or below the ceiling

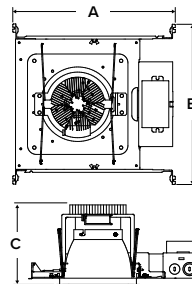
CERTIFICATIONS

- cCSAus certified to UL 1598
- For ≥70L: Marked spacing required 36" fixture center to center; 36" fixture center to building member; 0.5" above fixture
- Suitable for wet locations, covered ceiling, EM/ EMR: Suitable for damp locations

LITEISTRY™



SERVICE PROGRAMS



Typical Dimensions and Weights				
Lumen Package	"A" Length Inches (mm)	"B" Width Inches (mm)	"C" Height Inches (mm)	Weight lbs (kg)
06L - 15L	14.56 (370)	14.36 (365)	5.9 (150)	7.8 (3.5)
20L - 30L	14.56 (370)	14.36 (365)	6.68 (170)	8.2 (3.7)
35L - 45L	14.56 (370)	14.36 (365)	7.86 (200)	8.8 (4)
50L - 60L	14.56 (370)	14.36 (365)	9.04 (230)	9.9 (4.5)
70L - 90L	14.56 (370)	15.56 (395)	11.56 (294)	10.1 (4.6)

See DIMENSIONS section for complete details

CERTIFICATIONS (CONTINUED)

- EM/EMR: Certified under UL 924 standard for emergency lighting and power equipment
- EM/EMR: Emergency battery packs are California Energy Commission (CEC) Title 20 Compliant
- When used with CE Bezel Trim Accessories: IP66/ IP69K rating; also meets IK10 per IEC 60068-2-75 impact testing
- Approved for 8 (4 in/4 out) No. 12AWG conductors rated for 90°C through wiring
- ENERGY STAR® certified models available (For list and additional information, visit www.energystar.gov)
- For -BAA Option: This product meets federal procurement law requirements under the Buy American Act (FAR 52.225-9) [See Buy America\(n\) Solutions](#)
- For -TAA Option: Product configurations meet federal procurement law requirements under the Trade Agreements Act (FAR 52.225-11) [See Buy America\(n\) Solutions](#)

WARRANTY

- 5 year warranty

KEY DATA	
Lumen Range	600–9000
Wattage Range	8–99
Efficacy Range (LPW)	94–104*
Reported Life (Hours)	L90 / >55,000
Input Current (mA)	65–825 (120V)

*Based on Specular, 35K, 80 CRI

LTR-6RD

LITEISTRY 6" ROUND DOWNLIGHT

Gray Shading = Service Program



Example: LTR-6RD-H-SL10L-DM1-LTR-6RD-T-SL35K8MD-S

ORDERING GUIDE

CATALOG #

HOUSING

LTR-6RD-H		Lumen Package		Lumen Output		Driver Options		Control Options		Voltage		Housing Options	
Aperture/Shape/Function		SL Standard Lumen		06L	600	DM1	0-10V Dimming to 1%	NX Lighting Controls		<i>Standard 120-277V</i>	CP Chicago Plenum ^{7,9}		
LTR-6RD-H 6" Round Downlight New Construction Housing		ML Medium Lumen		10L	1000	DM01	0-10V Dimming to < 1% ²	Networked Wireless			34 347V ⁶	IC IC rated ^{8,9}	
				15L	1500	DMX	DMX with RDM dimming to < 0.1% ²	NXW NX Networked Wireless Radio Module NXRM2 and Bluetooth Programming, without Sensor ³				EM 7W Emergency Battery Pack (CEC Title 20 Compliant) with integral test switch and indicator light ⁹	
				HL High Lumen		20L	2000					DALI	DALI Dimming to 1% ²
		25L	2500			EDM	Lutron Hi-Lume EcoSystem Dimming to 1% ²	NXE NX Wired Dual RJ45 SmartPORTS, without Sensor ³				DTS Device Transfer Switch with Dimming Bypass ^{9,12}	
		30L	3000			DM00 Lutron Athena compatible driver ¹⁵						Other Lighting Controls	
		35L	3500	AWNR Lutron Athena Enabled ¹⁵				F Fuse ⁹					
40L	4000	BAA Buy American Act (FAR 52.225-9) Compliant											
45L	4500			TAA Trade Agreements Act (FAR 52.225-11) Compliant									
VL Very High Lumen		50L	5000										
		55L	5500										
		60L	6000										
XL Extra high Lumen ¹¹		70L	7000										
		80L	8000										
		90L	9000										

TRIM

LTR-6RD-T		Lumen Package		CCT		CRI		Distribution	
Aperture/Shape/Function		SL Standard Lumen		27K	2700K	8	80+CRI	VNR Very Narrow (0.3 SC/18")	
LTR-6RD-T 6" Round Downlight Light Engine/Trim Assembly		ML Medium Lumen		30K	3000K	9	90+CRI	NR Narrow (0.5 SC/29")	
		HL High Lumen		35K	3500K			MD Medium (0.6 SC/37")	
		VL Very High Lumen		40K	4000K			WD Wide (0.9 SC/59")	
		XL Extra High Lumen ¹¹		50K	5000K ¹	XW Extra Wide (1.1 SC/76")			

TRIM CONTINUED

Reflector Finish		Reflector Color		Flange Color Options		Lower Trim Options		Reflector Options	
<i>Finish not applicable with painted reflectors (WC or BC)</i>		<i>Standard Clear</i>		<i>Standard matches reflector color</i>				AM Antimicrobial Coating ⁵	
S Specular	CG Champagne Gold	WT White Flange ⁴		BT Black Flange ⁴		EM Pre-punched reflector for EM integral test switch and indicator		BAA Buy American Act (FAR 52.225-9) Compliant	
SS Semi-Specular	BL Black							TAA Trade Agreements Act (FAR 52.225-11) Compliant	
MFC American Matte™	LW Light Wheat								
VS Softglow®	PW Pewter								
VSS SoftSheen™	WC Painted White Cone and Flange								
	BC Painted Black Cone and Flange								

Notes:

- 5000K available in 80+ CRI only.
- EDM available in 10L-35L. DMX not available on >35L. DM01, DALI not available on >55L.
- NX requires DM1 driver option, not available on >60L.
- WT not needed for WC, BT not needed for BC.
- AM available with WC or Specular Clear (S or SWT). Consult factory for other colors.
- 347V available for 06L-30L; requires DM1 driver; not available with Controls, EM, EMR, DTS, GTD or F.
- CP available up to 50L; not available with DMX, Controls, or EMR options.
- IC available up to 20L; not available with Controls options.
- Housing options (except Fuse, BAA/TAA) not available in combination.
- Flush Mount Flange (FM) requires FMR accessory (sold separately).
- XL (70L-90L) require marked spacing. See line art for more details.
- DTS available with DM1, DM01, DALI or DM00.
- Specify slope angle 5°-35° in 5° increments. Not available with EM, WF, or FM options.
- See next page for option restrictions when using with bezel trim accessories.
- DM00 must be selected with AWNR Lutron Athena controls option.

Accessories	
<input type="checkbox"/> B24	Set of two (2) 24" bar hangers for T-bar ceilings
<input type="checkbox"/> B6	Set of two bar hangers for ceiling joist up to 24" centers
<input type="checkbox"/> FMR6-R	Flush Mount Mud-In Ring, 6" Round
<input type="checkbox"/> LiteGear	LiteGear® Inverter, 125VA-250VA
<input type="checkbox"/> LPS Series	LightPower Micro-Inverter, 20VA-55VA
<input type="checkbox"/> MOR6-R-WH	Metal Oversized Ring, 6" Round, White (10" outside diameter)
<input type="checkbox"/> MOR6-R-BL	Metal Oversized Ring, 6" Round, Black (10" outside diameter)
<input type="checkbox"/> LTR-SCA6-___	Sloped Ceiling Adapter, 6", White ¹³

(See next page for Bezel Trim Accessories for Complex Environments) ¹⁴

LTR-6RD

LITEISTRY 6" ROUND DOWNLIGHT

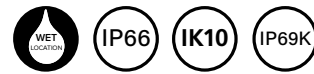
ACCESSORIES CONTINUED

Bezel Trim Accessories

For more demanding environments, LITEISTRY™ offers bezel trim accessories that can be field installed onto standard housing/trim assemblies and are available with antimicrobial trim finish and/or vandal resistant hardware options.

FEATURES:

- Marine grade die cast aluminum bezel trim with low-copper alloy for durability
- Shatter resistant, 1/4" clear polycarbonate lens, completely flush for easy wipe down
- Closed cell silicone gasket protects against dust and water ingress
- Suitable for wet locations, covered ceiling
- IP66/IP69K rated (room side) when properly installed per installation instructions
- Meets IK10 per IEC 60068-2-75 impact testing
- Optional anti-microbial (AM) trim finish



Complex Environment (Includes stainless steel Philips head screws)

- LTR-6RD-CE-WT Bezel Trim Accessory, IP66/IP69K, 6" Round, White
- LTR-6RD-CE-WTAM Bezel Trim Accessory, IP66/IP69K, 6" Round, White Antimicrobial

Vandal Resistant (Includes stainless steel Torx® screws with tamper resistant center pin reject)

- LTR-6RD-CEVR-WT Bezel Trim Accessory, Vandal Resistant/IP66/IP69K, 6" Round, White
- LTR-6RD-CEVR-WTAM Bezel Trim Accessory, Vandal Resistant/IP66/IP69K, 6" Round, White Antimicrobial

Dimensional Data	
Aperture Opening	Ø 5.75" (146.1 mm)
Overall Flange	Ø 9.42" (293.3 mm)
Trim Height	0.42" (10.7 mm)
Ceiling Cutout	Ø 8.25" (209.6 mm)
Ceiling Thickness	0.50" to 2.00" (12.7 mm to 50.8 mm)

Notes:

- 1 Available up to 4000 Max Lumens.
- 2 Not available in combination with EM, FM, or WF options.
- 3 Not available in combination with FMR, LTR-MOR or LTR-SCA accessories.
- 4 Refer to all Installation Instructions for complete details.

NX LIGHTING CONTROLS

Control Option Ordering Logic & Description			Control Option Functionality							Control Option Components		
			Networkable	Grouping	Scheduling	Occupancy/Motion	Daylight Harvesting	0-10V Dimming	On/Off Control			Bluetooth App Programming
NX Wireless	NXW	NX Networked Wireless Radio Module NXRM2 and Bluetooth Programming, without Sensor	✓	✓	✓	-	-	✓	✓	✓		NXRM2-H
NX Wired	NXE	NX Wired Dual RJ45 SmartPORTS, without Sensor	✓	✓	✓	-	-	✓	✓	✓ ¹		NXDSP

1 Requires NXBTC, order separately.

NX LIGHTING CONTROLS APP



The NX Lighting Controls App is a free to use mobile application for programming both an NX Lighting Controls System or Standalone Bluetooth Sensors. The mobile app allows you to configure devices, discover and setup wireless enabled luminaires and program your NX system settings.



Android




Apple iOS

LTR-6RD

LITEISTRY 6" ROUND DOWNLIGHT

OTHER LIGHTING CONTROLS

Control Option Ordering Logic & Description			Control Option Functionality							Control Option Components	
			Networkable	Grouping	Scheduling	Occupancy/Motion	Daylight Harvesting	0-10V Dimming	On/Off Control		
Other	AWNDR	The Athena wireless node is a radio frequency (RF) device that enables simple, digital control of individual light fixtures in an Athena control system. ¹	✓	✓	-	-	-	✓	✓	-	 A-WN-D01-RF-WH

¹ Lutron Athena Hub required to enable Networking, Grouping and Scheduling.

PERFORMANCE DATA TABLE

Performance data provided below is for 3500K, 80 CRI with Specular Clear reflector finish/color

Lumen Package	Nominal Lumens	Distribution	Delivered Lumens	Watts	LPW
06L	600	Very Narrow	806	7.8	103
		Narrow	717	7.8	92
		Medium	746	7.8	96
		Wide	691	7.8	89
		Extra Wide	665	7.8	85
10L	1000	Very Narrow	1288	12.0	107
		Narrow	1146	12.0	96
		Medium	1192	12.0	99
		Wide	1104	12.0	92
		Extra Wide	1063	12.0	89
15L	1500	Very Narrow	1851	18.7	99
		Narrow	1623	18.7	87
		Medium	1712	18.7	92
		Wide	1586	18.7	85
		Extra Wide	1527	18.7	82
20L	2000	Very Narrow	2355	22.6	104
		Narrow	2263	22.7	100
		Medium	2265	22.6	100
		Wide	2180	22.7	96
		Extra Wide	2139	22.7	94
25L	2500	Very Narrow	3093	27.7	112
		Narrow	2751	27.7	99
		Medium	2860	27.7	103
		Wide	2650	27.7	96
		Extra Wide	2551	27.7	92
30L	3000	Very Narrow	3686	34.3	107
		Narrow	3278	34.3	96
		Medium	3409	34.3	99
		Wide	3158	34.3	92
		Extra Wide	3040	34.3	89

LTR-6RD

LITEISTRY 6" ROUND DOWNLIGHT

PERFORMANCE DATA TABLE CONTINUED

Performance data provided below is for 3500K, 80 CRI with Specular Clear reflector finish/color

Lumen Package	Nominal Lumens	Distribution	Delivered Lumens	Watts	LPW
35L	3500	Very Narrow	4477	43.0	104
		Narrow	3942	43.0	93
		Medium	4140	43.0	96
		Wide	3836	43.0	89
		Extra Wide	3693	43.0	86
40L	4000	Very Narrow	5117	51.6	99
		Narrow	4552	51.6	88
		Medium	4733	51.6	92
		Wide	4385	51.6	85
		Extra Wide	4221	51.6	82
45L	4500	Very Narrow	5371	55.1	98
		Narrow	4775	55.1	87
		Medium	4967	55.1	90
		Wide	4602	55.1	84
		Extra Wide	4430	55.1	80
50L	5000	Very Narrow	5740	48.7	118
		Narrow	5105	48.7	105
		Medium	5308	48.7	109
		Wide	4918	48.7	101
		Extra Wide	4734	48.7	97
55L	5500	Very Narrow	6365	53.9	119
		Narrow	5662	53.9	105
		Medium	5887	53.9	109
		Wide	5454	53.9	101
		Extra Wide	5250	53.9	97
60L	6000	Very Narrow	7090	60.7	117
		Narrow	6299	60.7	104
		Medium	6557	60.7	108
		Wide	6075	60.7	100
		Extra Wide	5848	60.7	96
70L	7000	Very Narrow	8266	72.1	115
		Narrow	7353	72.1	102
		Medium	7645	72.1	106
		Wide	7083	72.1	98
		Extra Wide	6819	72.1	95
80L	8000	Very Narrow	9301	84.3	111
		Narrow	8273	84.3	98
		Medium	8602	84.3	102
		Wide	7970	84.3	95
		Extra Wide	7672	84.3	91
90L	9000	Very Narrow	10549	98.1	108
		Narrow	9383	98.1	96
		Medium	9756	98.1	99
		Wide	9039	98.1	92
		Extra Wide	8701	98.1	89

LTR-6RD

LITEISTRY 6" ROUND DOWNLIGHT

DATE: _____ LOCATION: _____

TYPE: _____ PROJECT: _____

CATALOG #: _____

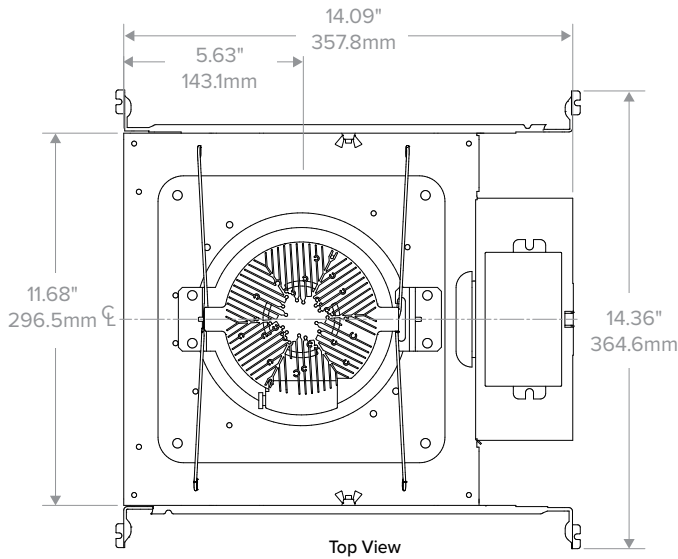
DIMENSIONS

Lumen Package	"A"
06L-15L	5.90" (149.9mm)
20L-30L	6.68" (169.7mm)
35L-40L	7.86" (199.6mm)
50L-60L	9.04" (229.6mm)

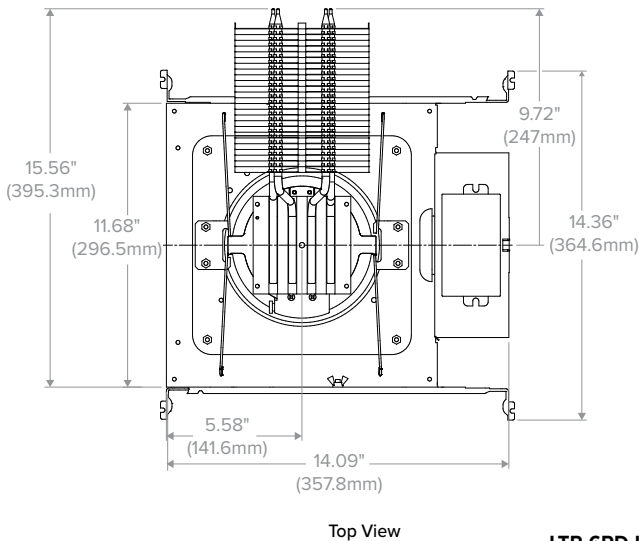
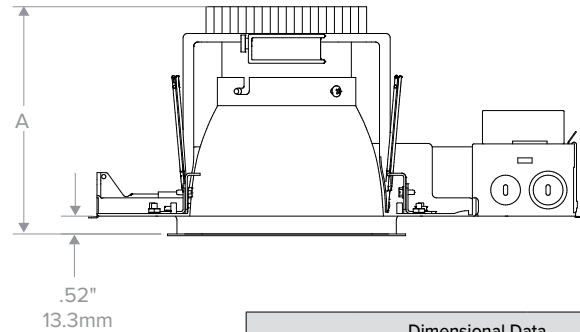
Dimensional Data		
Aperture		5.75" (146.1mm)
Flange:	Standard	7.00" (177.8mm)
	Flush Mount	6.54" (166.0mm)
	With Bezel Trim Accessory**	Ø 9.42" (293.3 mm)
Ceiling Cutout:	Standard	6.50" (165.1mm)
	Flush Mount	6.75" (171.5mm)
	With Bezel Trim Accessory**	Ø 8.25" (209.6 mm)
Ceiling Thickness:	Standard or w/SCA 5-20° slope	0.50" to 2.00" (12.7mm to 50.8mm)
	With SCA 25-35° slope	0.50" to 1.75" (12.7mm to 44.6mm)
	With Bezel Trim Accessory**	0.50" to 2.00" (12.7 mm to 50.8 mm)

SCA Sloped Ceiling Adapter accessory available, see LTR-SCA specification sheet and installation instructions for dimensional data and other details.

** For complete details on Bezel Trim Accessories, see Accessory section on Page 3 and Bezel Trim Installation Instructions on currentlighting.com/prescolite.

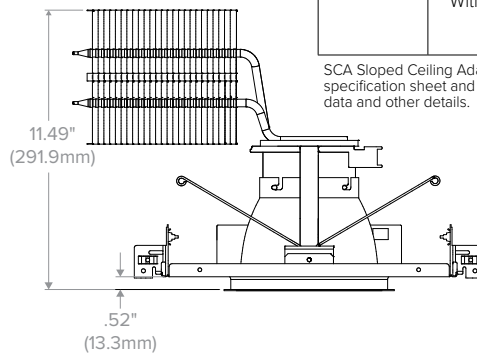


LTR-6RD-H (06L - 60L) New Construction



LTR-6RD-H (70L - 90L) New Construction

Marked spacing required:
36" fixture center to center;
36" center to building member;
0.50" above fixture



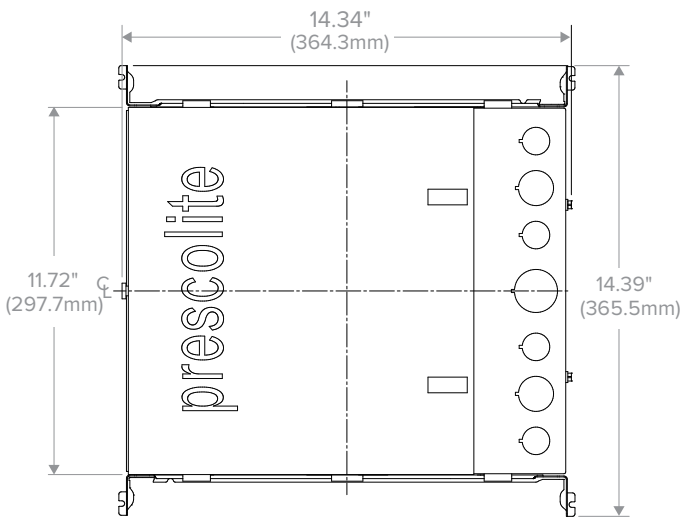
Dimensional Data		
Aperture		5.75" (146.1mm)
Flange:	Standard	7.00" (177.8mm)
	Flush Mount	6.54" (166.0mm)
Ceiling Cutout:	Standard	6.50" (165.1mm)
	Flush Mount	6.75" (171.5mm)
Ceiling Thickness:	Standard or w/SCA 5-20° slope	0.50" to 2.00" (12.7mm to 50.8mm)
	With SCA 25-35° slope	0.50" to 1.75" (12.7mm to 44.6mm)

SCA Sloped Ceiling Adapter accessory available, see LTR-SCA specification sheet and installation instructions for dimensional data and other details.

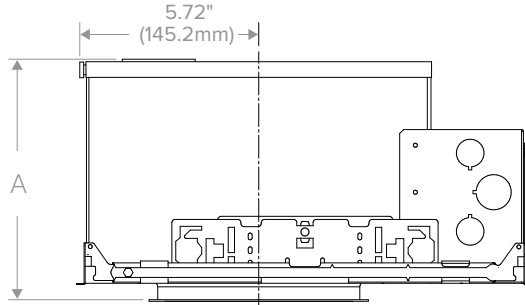
LTR-6RD

LITEISTRY 6" ROUND DOWNLIGHT

DIMENSIONS CONTINUED



LTR-6RD-IC / LTR-6RD-CP



Lumen Package	"A"
Standard	7.68" (195.0mm)
CP option ≥35L	10.06" (255.5mm)

Dimensional Data		
Aperture		5.75" (146.1mm)
Flange:	Standard	7.00" (177.8mm)
	Flush Mount	6.54" (166.0mm)
Ceiling Cutout:	Standard	6.50" (165.1mm)
	Flush Mount	6.75" (171.5mm)
Ceiling Thickness:	Standard or w/SCA 5-20° slope	0.50" to 2.00" (12.7mm to 50.8mm)
	With SCA 25-35° slope	0.50" to 1.75" (12.7mm to 44.6mm)

SCA Sloped Ceiling Adapter accessory available, see LTR-SCA specification sheet and installation instructions for dimensional data and other details.

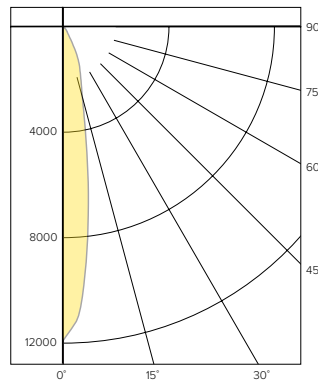
PHOTOMETRY

LTR-6RD-H-ML20L-DM1 / LTR-6RD-T-ML35K8VNR-S

LUMINAIRE DATA

Test No.	19.00588
Description	2000 lm, Very Narrow, 3500K, 80 CRI
Delivered Lumens	2355
Watts	22.6W
Efficacy	104.0
Mounting	Recessed
Spacing Criterion	0.3
Beam Angle (FWHM)	18

POLAR GRAPH



CANDELA DISTRIBUTION

Degree	Candela
0	11881
5	9399
15	2776
25	1236
35	255
45	74
55	0
65	0
75	0
85	0
90	0

LUMINANCE DATA*

Vertical Angle	Average
45°	6247
55°	0
65°	0
75°	0
85°	0

*Candela/Square Meter

ZONAL LUMEN SUMMARY

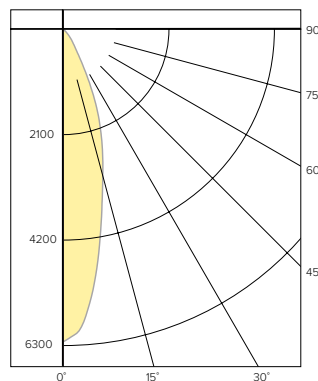
Zone	Lumens	% Luminaire
0-40	2290	97.2
0-60	2355	100.0
0-90	2355	100.0
0-180	2355	100.0

LTR-6RD-H-ML20L-DM1 / LTR-6RD-T-ML35K8NR-S

LUMINAIRE DATA

Test No.	20.01439
Description	2000 lm, Narrow, 3500K, 80 CRI
Delivered Lumens	2263
Watts	22.1W
Efficacy	103.0
Mounting	Recessed
Spacing Criterion	0.5
Beam Angle (FWHM)	29

POLAR GRAPH



CANDELA DISTRIBUTION

Degree	Candela
0	6222
5	5603
15	3035
25	1354
35	348
45	83
55	5
65	2
75	1
85	0
90	0

LUMINANCE DATA*

Vertical Angle	Average
45°	6712
55°	498
65°	271
75°	221
85°	0

*Candela/Square Meter

ZONAL LUMEN SUMMARY

Zone	Lumens	% Luminaire
0-40	2185	96.6
0-60	2260	99.9
0-90	2263	100.0
0-180	2263	100.0

LTR-6RD

LITEISTRY 6" ROUND DOWNLIGHT

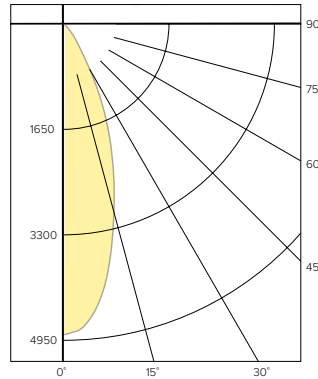
PHOTOMETRY CONTINUED

LTR-6RD-H-ML20L-DM1 / LTR-6RD-T-ML35K8MD-S

LUMINAIRE DATA

Test No.	19.00587
Description	2000 lm, Medium, 3500K, 80 CRI
Delivered Lumens	2265
Watts	22.6W
Efficacy	100.0
Mounting	Recessed
Spacing Criterion	0.6
Beam Angle (FWHM)	37

POLAR GRAPH



CANDELA DISTRIBUTION

Degree	Candela
0	4851
5	4619
15	3007
25	1450
35	386
45	99
55	6
65	2
75	1
85	0
90	0

LUMINANCE DATA*

Vertical Angle	Average
45°	8357
55°	624
65°	282
75°	231
85°	0

*Candela/Square Meter

ZONAL LUMEN SUMMARY

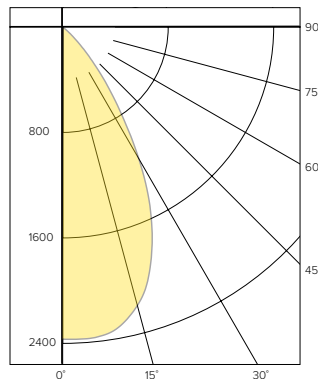
Zone	Lumens	% Luminaire
0-40	2171	95.9
0-60	2262	99.9
0-90	2265	100.0
0-180	2265	100.0

LTR-6RD-H-ML20L-DM1 / LTR-6RD-T-ML35K8WD-S

LUMINAIRE DATA

Test No.	19.00585
Description	2000 lm, Wide, 3500K, 80 CRI
Delivered Lumens	2180
Watts	22.6W
Efficacy	96.1
Mounting	Recessed
Spacing Criterion	0.9
Beam Angle (FWHM)	59

POLAR GRAPH



CANDELA DISTRIBUTION

Degree	Candela
0	2368
5	2371
15	2189
25	1591
35	726
45	177
55	10
65	3
75	1
85	0
90	0

LUMINANCE DATA*

Vertical Angle	Average
45°	14942
55°	1041
65°	424
75°	231
85°	0

*Candela/Square Meter

ZONAL LUMEN SUMMARY

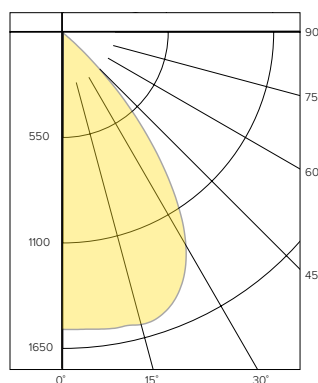
Zone	Lumens	% Luminaire
0-40	2014	92.4
0-60	2176	99.8
0-90	2180	100.0
0-180	2180	100.0

LTR-6RD-H-ML20L-DM1 / LTR-6RD-T-ML35K8XW-S

LUMINAIRE DATA

Test No.	19.00586
Description	2000 lm, Extra Wide, 3500K, 80 CRI
Delivered Lumens	2139
Watts	22.7W
Efficacy	94.4
Mounting	Recessed
Spacing Criterion	1.1
Beam Angle (FWHM)	76

POLAR GRAPH



CANDELA DISTRIBUTION

Degree	Candela
0	1547
5	1552
15	1576
25	1461
35	1007
45	301
55	9
65	3
75	1
85	0
90	0

LUMINANCE DATA*

Vertical Angle	Average
45°	25409
55°	937
65°	424
75°	231
85°	0

*Candela/Square Meter

ZONAL LUMEN SUMMARY

Zone	Lumens	% Luminaire
0-40	1875	87.7
0-60	2134	99.8
0-90	2139	100.0
0-180	2139	100.0

LUMEN MULTIPLIER

Option	27K8	30K8	35K8	40K8	50K8	27K9	30K9	35K9	40K9
Multiplier	0.94	0.98	1.00	1.01	1.02	0.81	0.84	0.85	0.85

Photometrics are published below at a nominal 3500 Kelvin, 80+ CRI. This table may be used to approximate the lumen values at different Kelvin temperatures. Power consumption would stay the same.

LTR-6RD

LITEISTRY 6" ROUND DOWNLIGHT

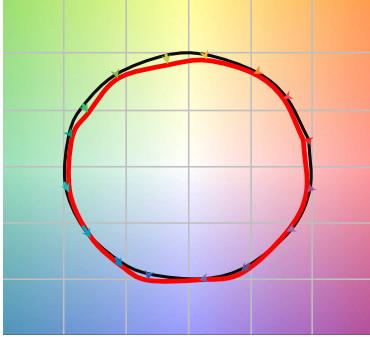
DATE: _____ LOCATION: _____

TYPE: _____ PROJECT: _____

CATALOG #: _____

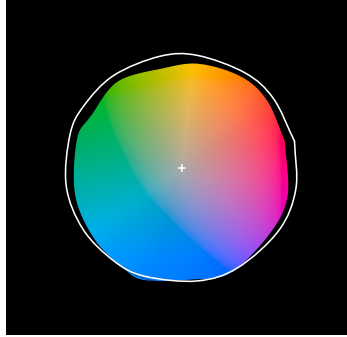
TM-30 DATA

COLOR VECTOR GRAPHIC
3500K, 90 CRI



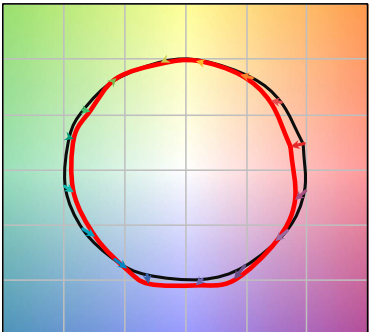
— Reference Illuminant — Test Source

COLOR DISTORTION GRAPHIC
3500K, 90 CRI



TEST RESULTS - 3500K		
Value	80+ CRI	90+ CRI
R_f	84	88
R_g	95	95
CCT (K)	3411	3419
D_{uv}	0.0015	0.0042
x	0.4120	0.4147
y	0.3974	0.4052
CIE R_a	84	93
CIE R_g	11	62

COLOR VECTOR GRAPHIC
3500K, 80 CRI



— Reference Illuminant — Test Source

COLOR DISTORTION GRAPHIC
3500K, 80 CRI



LTR-6RD

LITEISTRY 6" ROUND DOWNLIGHT

DATE: _____ LOCATION: _____

TYPE: _____ PROJECT: _____

CATALOG #: _____

ELECTRICAL DATA

DRIVER DATA		
Input Voltage	120-277 V	347 V
Input Frequency	50/60 Hz	50/60 Hz
Power Factor	≥0.90	≥0.90
THD	<20%	<20%
EMI Filtering (FCC 47 CFR Part 15)	Class A	Class A

* Values for DM1 option shown, values for other dimming options may vary.

ADDITIONAL INFORMATION

Dimming Compatibility

For more details and recommended dimmer list, see Dimming Compatibility Information on currentlighting.com/prescolite.

DMX

See instruction sheet on currentlighting.com/prescolite for connection & installation information.

Central Inverters

For full fixture output in back-up mode, we recommend you visit currentlighting.com/dual-lite for your Central Lighting Inverter options. Please contact your local Current representative for any assistance with proper sizing and loading of your inverter selection. Central lighting inverters must be ordered separately.

Bezel Trim Accessories for Complex Environments

See installation instructions on currentlighting.com/prescolite for complete details.

Lumen Output in Emergency Mode

To determine the lumen output in emergency mode multiply the battery pack wattage by the fixture lumens per watt (LPW). For example, 7W x 120 LPW = 840 lumens in emergency mode.