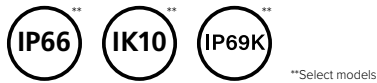


LTR-6RW Open

LITEISTRY 6" ROUND OPEN WALL WASH (WW/DWW/CWW)

FEATURES

- 6" architectural LED wall wash delivering 600-9000 lm
- Single, double and corner wall wash solutions
- Provides uniform vertical illumination as well as room side light
- Quiet reflector appearance with 50° optical cutoff
- 2700K–5000K, 80+ and 90+ CRI options
- Available for New Construction (non-IC), IC and Chicago Plenum applications
- Variety of dimming protocol options including 0-10V, DALI, DMX, and Lutron EcoSystem
- NX Lighting Controls wired and wireless controls capability available



CONTROLS TECHNOLOGY



SPECIFICATIONS

CONSTRUCTION

- Standard Non-IC, Chicago Plenum and IC options
- Painted black durable steel platform with pre-installed bar hangers
- Pre-wired junction box with snap-on covers for easy access
- Snap-in connection from driver compartment allows easy installation
- Light Engine connections use plenum rated (CMP) cable

OPTICS

- Visually pleasing 50° cutoff to source and source image
- Open cone and kicker reflector assembly with an optical grade silicone lens integral to light engine
- Available in Single, Double, and Corner wall wash distributions
- Provides excellent uniformity down the wall while also contributing to room side lighting
- The light distribution is free of distracting bright spots or pixelation and the perimeter has a smooth transition
- High purity spun aluminum reflector, self-flanged
- Flush mount flange option with mud-in ring available
- Large selection of anodized finishes and colors
- Painted cones and flange options available

ELECTRICAL

- Chip-on-board LED with 2 SDCM
- Multiple CCTs, 80+ or 90+ CRI
- Long LED life: L90 at > 55,000 hours (TM-21)

ELECTRICAL (CONTINUED)

- Universal voltage 120V–277V driver, 347V optional
- UL Class 2, inherent short circuit and overload protection
- Flicker free 0–10V dimming with 1% or <1% performance
- DALI, DMX, and Lutron EcoSystem options
- NX Lighting Controls provides options for stand-alone and networked functionality with wired or wireless connectivity for NX system deployments
- Emergency battery pack option available with remote test switch and indicator light
- Refer to additional spec sheets for information on SpectraSync™ Tunable White or Dim-to-Warm solutions

INSTALLATION

- Accommodates ceiling thickness up to 2" (WW/DWW in SL, ML, HL); up to 1.25" (All CWW and all VL, HL) (See DIMENSIONS section for details)
- Universal adjustable mounting brackets also accept 1/2" EMT conduit or 1/2" or 3/4" lathing channel (by others) or Prescolite accessory bar hangers (B24 or B6)
- Light engine/driver fully serviceable from above or below the ceiling

CERTIFICATIONS

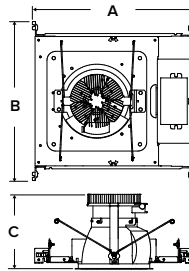
- cCSAus certified to UL 1598
- For ≥ 70L: Marked spacing required 36" fixture center to center; 36" fixture center to building member; 0.50" above fixture
- Suitable for damp locations

LITEISTRY™



SERVICE PROGRAMS

tradeSELECT™ QS10



Typical Dimensions and Weights				
Lumen Package	"A" Length Inches (mm)	"B" Width Inches (mm)	"C" Height Inches (mm)	Weight lbs (kg)
06L - 15L	14.56 (370)	14.36 (365)	5.9 (150)	7.8 (3.5)
20L - 30L	14.56 (370)	14.36 (365)	6.68 (170)	8.2 (3.7)
35L - 45L	14.56 (370)	14.36 (365)	7.86 (200)	8.8 (4)
50L - 60L	14.56 (370)	14.36 (365)	9.04 (230)	9.9 (4.5)
70L - 90L	14.56 (370)	15.56 (395)	11.56 (294)	10.1 (4.6)

See DIMENSIONS section for complete details

CERTIFICATIONS (CONTINUED)

- EMR: Certified under UL 924 standard for emergency lighting and power equipment
- EMR: Emergency battery packs are California Energy Commission (CEC) Title 20 Compliant
- When used with CE Bezel Trim Accessories: IP66/ IP69K rating; also meets IK10 per IEC 60068-2-75 impact testing
- Approved for 8 (4 in/4 out) No. 12AWG conductors rated for 90°C through wiring
- For -BAA Option: This product meets federal procurement law requirements under the Buy American Act (FAR 52.225-9) [See Buy America\(n\) Solutions](#)
- For -TAA Option: Product configurations meet federal procurement law requirements under the Trade Agreements Act (FAR 52.225-11) [See Buy America\(n\) Solutions](#)

WARRANTY

- 5 year warranty

KEY DATA	
Lumen Range	600–9000
Wattage Range	8–99
Efficacy Range (LPW)	97*
Reported Life (Hours)	L90 / >55,000
Input Current (mA)	67-825 (120V)

*Based on Specular, 35K, 80 CRI

LTR-6RW Open

LITEISTRY 6" ROUND OPEN WALL WASH (WW/DWW/CWW)

Gray Shading = Service Program **tradeSELECT** **QS10**
Limit of 150 Luminaries

Example: LTR-6RD-H-SL10L-DM1-LTR-6RW-T-SL35K8WW-S

ORDERING GUIDE

CATALOG #

HOUSING

LTR-6RD-H		Lumen Package		Lumen Output		Driver Options		Control Options		Voltage		Housing Options			
Aperture/Shape/Function		SL Standard Lumen		ML Medium Lumen		HL High Lumen		VL Very High Lumen		XL Extra high Lumen ¹²		DLI DALI Dimming to 1% ²		EDM Lutron Hi-Lume EcoSystem Dimming to 1% ³	
LTR-6RD-H	6" Round Downlight/ WW/DWW Wall Wash New Construction Housing	06L	600	20L	2000	35L	3500	34	347V ⁶	Standard 120-277V	CP	Chicago Plenum ^{7,9}	IC	IC rated ^{8,9}	
LTR-6RCW-H	6" Round Corner Wall Wash Housing ¹¹	10L	1000	25L	2500	40L	4000	DMX	DMX with RDM dimming to < 0.1% ²	NX Lighting Controls Networked Wireless NXW NX Networked Wireless Radio Module NXRM2 and Bluetooth Programming, without Sensor ³	EMR	7W Emergency Battery Pack (CEC Title 20 Compliant) with remote test switch and indicator light ⁹	DTS	Device Transfer Switch with Dimming Bypass ^{9,13}	
		15L	1500	30L	3000	45L	4500				Networked Wired NXE NX Wired Dual RJ45 SmartPORTS, without Sensor ³	GTD	Generator Transfer Device ^{9,15}	F	Fuse ⁹
				50L	5000	55L	5500				BAA	Buy American Act (FAR 52.225-9) Compliant	TAA	Trade Agreements Act (FAR 52.225-11) Compliant	
				60L	6000	70L	7000								
				80L	8000	90L	9000								

TRIM

LTR-6RW-T		Lumen Package		CCT		CRI		Distribution					
Aperture/Shape/Function		SL Standard Lumen		ML Medium Lumen		HL High Lumen		VL Very High Lumen		XL Extra High Lumen ¹²			
LTR-6RW-T	6" Round Wall Wash Light Engine/Trim Assembly	27K	2700K	8	80+CRI	WW	Single Wall Wash	30K	3000K	9	90+CRI	DWW	Double Wall Wash
		35K	3500K			CWW	Corner Wall Wash ¹¹	40K	4000K				
		40K	4000K					50K	5000K ¹				
		50K	5000K ¹										

TRIM CONTINUED

Reflector Finish		Reflector Color		Flange Color Options		Lower Trim Options		Reflector Options	
<i>Finish not applicable with painted reflectors (WC or BC)</i>		<i>Standard Clear</i>		<i>Standard matches reflector color</i>		FM Flush Mount Mud-in Ring ¹⁰		AM Antimicrobial Coating ⁵	
S	Specular	CG	Champagne Gold	WT	White Flange ⁴	WF Wide Flange		BAA	Buy American Act (FAR 52.225-9) Compliant
SS	Semi-Specular	BL	Black	BT	Black Flange ⁴			TAA	Trade Agreements Act (FAR 52.225-11) Compliant
MFC	American Matte™	LW	Light Wheat						
VS	Softglow®	PW	Pewter						
VSS	SoftSheen™	WC	Painted White Cone and Flange						
		BC	Painted Black Cone and Flange						

Accessories

- B24** Set of two (2) 24" bar hangers for T-bar ceilings
- B6** Set of two bar hangers for ceiling joist up to 24" centers
- FMR6-R** Flush Mount Mud-In Ring, 6" Round
- LiteGear** LiteGear® Inverter, 125VA-250VA
- LPS Series** LightPower Micro-Inverter, 20VA-55VA
- MOR6-R-WH** Metal Oversized Ring, 6" Round, White (10" outside diameter)
- MOR6-R-BL** Metal Oversized Ring, 6" Round, Black (10" outside diameter)

(See next page for Bezel Trim Accessories for Complex Environments)¹⁴

Notes:

- 1 5000K available in 80+ CRI only.
- 2 EDM available in 10L-35L. DMX not available on >35L. DM01, DALI not available on >55L.
- 3 NX requires DM1 driver option; not available on >60L.
- 4 WT not needed for WC, BT not needed for BC.
- 5 AM available with WC or Specular Clear (S or SWT). Consult factory for other colors.
- 6 347V available for 06L-30L; requires DM1 driver; not available with Controls, EMR, DTS, GTD or F.
- 7 CP available up to 50L; not available with DMX, Controls, or EMR options.
- 8 IC available up to 20L; not available with Controls options.
- 9 Housing options (except Fuse, BAA/TAA) not available in combination.
- 10 Flush Mount Flange (FM) requires FMR accessory (sold separately).
- 11 CWW must use LTR-6RCW-H housing; available in 06L-60L.
- 12 XL (70L-90L) require marked spacing. See line art for more details.
- 13 DTS available with DM1, DM01, or DALI. Not available with NXE.
- 14 See next page for option restrictions when using with bezel trim accessories.
- 15 Not available with NXE.

LTR-6RW Open

LITEISTRY 6" ROUND OPEN WALL WASH (WW/DWW/CWW)

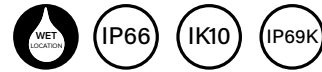
ACCESSORIES CONTINUED

Bezel Trim Accessories ^{1,2,3,4}

For more demanding environments, LITEISTRY™ offers bezel trim accessories that can be field installed onto standard housing/trim assemblies and are available with antimicrobial trim finish and/or vandal resistant hardware options.

FEATURES:

- Marine grade die cast aluminum bezel trim with low-copper alloy for durability
- Shatter resistant, 1/4" clear polycarbonate lens, completely flush for easy wipe down
- Closed cell silicone gasket protects against dust and water ingress
- Suitable for wet locations, covered ceiling
- IP66/IP69K rated (room side) when properly installed per installation instructions
- Meets IK10 per IEC 60068-2-75 impact testing
- Optional anti-microbial (AM) trim finish



Complex Environment (Includes stainless steel Philips head screws)

- LTR-6RD-CE-WT Bezel Trim Accessory, IP66/IP69K, 6" Round, White
- LTR-6RD-CE-WTAM Bezel Trim Accessory, IP66/IP69K, 6" Round, White Antimicrobial

Vandal Resistant (Includes stainless steel Torx® screws with tamper resistant center pin reject)

- LTR-6RD-CEVR-WT Bezel Trim Accessory, Vandal Resistant/IP66/IP69K, 6" Round, White
- LTR-6RD-CEVR-WTAM Bezel Trim Accessory, Vandal Resistant/IP66/IP69K, 6" Round, White Antimicrobial

Dimensional Data	
Aperture Opening	Ø 5.75" (146.1 mm)
Overall Flange	Ø 9.42" (293.3 mm)
Trim Height	0.42" (10.7 mm)
Ceiling Cutout	Ø 8.25" (209.6 mm)
Ceiling Thickness	0.50" to 2.00" (12.7 mm to 50.8 mm)

Notes:

- 1 Available up to 4000 Max Lumens.
- 2 Not available in combination with FM or WF options.
- 3 Not available in combination with FMR or LTR-MOR accessories.
- 4 Refer to all Installation Instructions for complete details.

NX LIGHTING CONTROLS

Control Option Ordering Logic & Description			Control Option Functionality							Control Option Components		
			Networkable	Grouping	Scheduling	Occupancy/Motion	Daylight Harvesting	0-10V Dimming	On/Off Control			Bluetooth App Programming
NX Wireless	NXW	NX Networked Wireless Radio Module NXRM2 and Bluetooth Programming, without Sensor	✓	✓	✓	-	-	✓	✓	✓		NXRM2-H
NX Wired	NXE	NX Wired Dual RJ45 SmartPORTS, without Sensor	✓	✓	✓	-	-	✓	✓	✓ ¹		NXDSP

1 Requires NXBTC, order separately.

NX LIGHTING CONTROLS APP



The NX Lighting Controls App is a free to use mobile application for programming both an NX Lighting Controls System or Standalone Bluetooth Sensors. The mobile app allows you to configure devices, discover and setup wireless enabled luminaires and program your NX system settings.



Android



Apple iOS

LTR-6RW Open

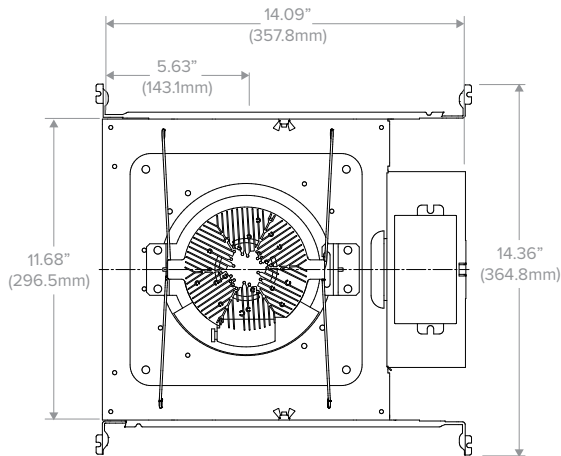
LITEISTRY 6" ROUND OPEN WALL WASH (WW/DWW/CWW)

PERFORMANCE DATA TABLE

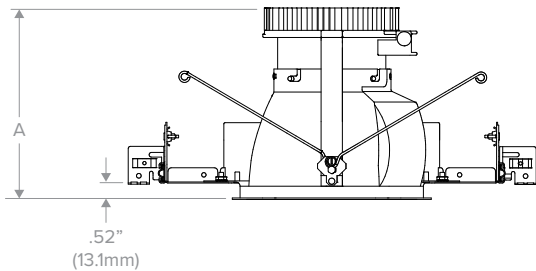
Performance data provided below is for 3500K, 80 CRI with Specular Clear reflector finish/color

Lumen Package	Nominal Lumens	Distribution	"Delivered Lumens"	Watts	LPW
06L	600	Open Single Wall Wash	711	7.8	91
10L	1000	Open Single Wall Wash	1136	12.0	95
15L	1500	Open Single Wall Wash	1631	18.7	87
20L	2000	Open Single Wall Wash	2211	22.8	97
25L	2500	Open Single Wall Wash	2726	27.7	98
30L	3000	Open Single Wall Wash	3248	34.3	95
35L	3500	Open Single Wall Wash	3946	43.0	92
40L	4000	Open Single Wall Wash	4510	51.6	87
45L	4500	Open Single Wall Wash	4734	55.1	86
50L	5000	Open Single Wall Wash	5059	48.7	104
55L	5500	Open Single Wall Wash	5610	53.9	104
60L	6000	Open Single Wall Wash	6249	60.7	103
70L	7000	Open Single Wall Wash	7285	72.1	101
80L	8000	Open Single Wall Wash	8198	84.3	97
90L	9000	Open Single Wall Wash	9297	98.1	95

DIMENSIONS



Top View



Lumen Package	"A"
06L-15L	5.90" (149.9mm)
20L-30L	6.68" (169.7mm)
35L-40L	7.86" (199.6mm)
50L-60L	9.04" (229.6mm)

Dimensional Data		
Aperture		5.75" (146.1mm)
Flange:	Standard	7.00" (177.8mm)
	Flush Mount	6.54" (166.0mm)
With Bezel Trim Accessory**		Ø 9.42" (293.3 mm)
Ceiling Cutout:	Standard	6.50" (165.1mm)
	Flush Mount	6.75" (171.5mm)
With Bezel Trim Accessory**		Ø 8.25" (209.6 mm)
Ceiling Thickness:	06L-45L WW/DWW: 0.50" to 2.00" (12.7mm to 50.8mm) All CWW & 50-60L WW/DWW: 0.50" to 1.25" (12.7mm to 31.8mm)	
	With Bezel Trim Accessory**	0.50" to 2.00" (12.7 mm to 50.8 mm)

** For complete details on Bezel Trim Accessories, see Accessory section on Page 3 and Bezel Trim Installation Instructions on currentlighting.com/prescolite.

LTR-6RW-H (06L - 60L) New Construction

LTR-6RW Open

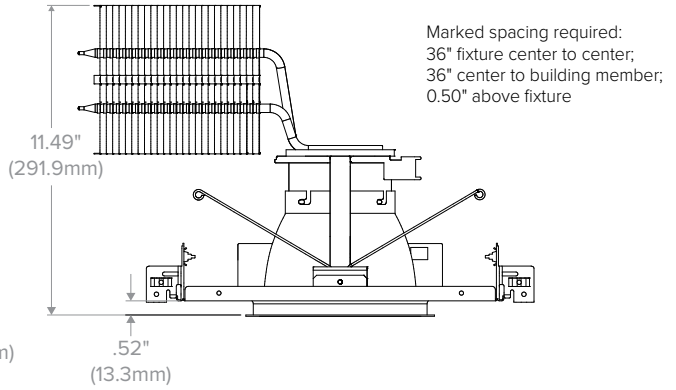
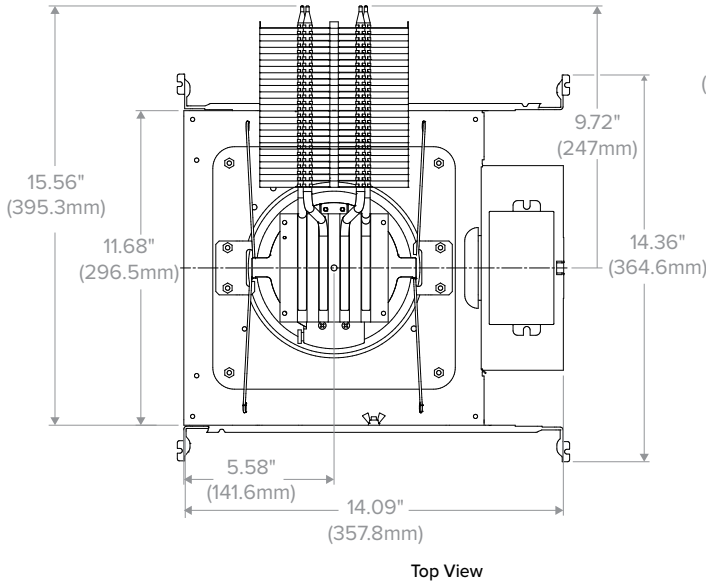
LITEISTRY 6" ROUND OPEN WALL WASH (WW/DWW/CWW)

DATE: _____ LOCATION: _____

TYPE: _____ PROJECT: _____

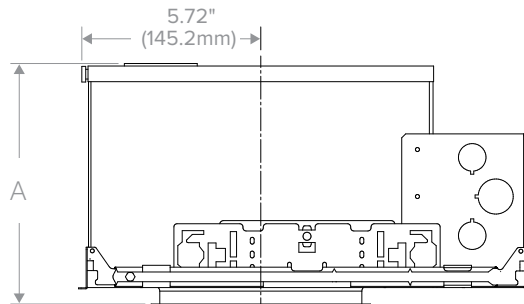
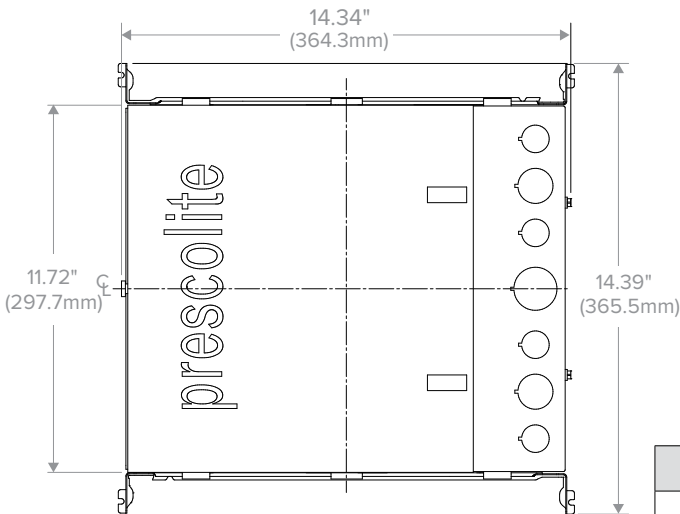
CATALOG #: _____

DIMENSIONS (CONTINUED)



Dimensional Data		
Aperture		5.75" (146.1mm)
Flange:	Standard	7.00" (177.8mm)
	Flush Mount	6.54" (166.0mm)
Ceiling Cutout:	Standard	6.50" (165.1mm)
	Flush Mount	6.75" (171.5mm)
Ceiling Thickness:		0.50" to 1.25" (12.7mm to 31.8mm)

LTR-6RW-H (70L - 90L) New Construction



LTR-6RW-H-IC/CP

Dimensional Data		
Aperture		5.75" (146.1mm)
Flange:	Standard	7.00" (177.8mm)
	Flush Mount	6.54" (166.0mm)
Ceiling Cutout:	Standard	6.50" (165.1mm)
	Flush Mount	6.75" (171.5mm)
Ceiling Thickness:	WW/DWW	0.50" to 2.00" (12.7mm to 50.8mm)
	CWW	0.50" to 1.25" (12.7mm to 31.8mm)

Lumen Package	"A"
Standard	7.68" (195.0mm)
CP option ≥35L	10.06" (255.5mm)

LTR-6RW Open

LITEISTRY 6" ROUND OPEN WALL WASH (WW/DWW/CWW)

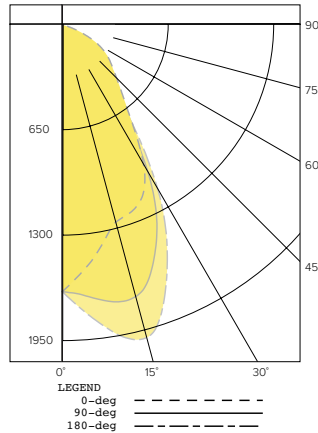
PHOTOMETRY

LTR-6RD-H-ML20L-DM1 / LTR-6RW-T-ML35K8WW-S

LUMINAIRE DATA

Test No.	19.00862
Description	Single Wall Wash, 2000 lm, 3500K, 80 CRI
Delivered Lumens	2211
Watts	22.8W
Efficacy	96.9
Mounting	Recessed

POLAR GRAPH



CANDELA DISTRIBUTION

Degree	Candela
0	1776
5	1639
15	1362
25	1260
35	828
45	520
55	374
65	212
75	62
85	7
90	0

LUMINANCE DATA*

Vertical Angle	Average
45°	43896
55°	38921
65°	29943
75°	14299
85°	4794

*Candela/Square Meter

ZONAL LUMEN SUMMARY

Zone	Lumens	% Luminaire
0-40	1842	83.3
0-60	2143	96.9
0-90	2211	100.0
0-180	2211	100.0

LUMEN MULTIPLIER

Option	27K8	30K8	35K8	40K8	50K8	27K9	30K9	35K9	40K9
Multiplier	0.94	0.98	1.00	1.01	1.02	0.81	0.84	0.85	0.85

Photometrics are published below at a nominal 3500 Kelvin, 80+ CRI. This table may be used to approximate the lumen values at different Kelvin temperatures. Power consumption would stay the same.

REFLECTOR FINISH MULTIPLIER (Based on Clear (Standard) Color)

Option	Specular (S)	Semi-Specular (SS)	American Matte (MFC)	Softglow (VS)	Softsheen (VSS)
Multiplier	1	1	0.984	0.888	0.938

REFLECTOR COLOR MULTIPLIER (Based on Semi-Specular (SS) Finish)

Option	Clear (Standard)	Champagne Gold (CG)	Black (BL)	Light Wheat (LW)	Pewter (PW)	White Cone (WC)	Black Cone (BC)
Multiplier	1	0.974	0.444	0.861	0.915	0.984	0.442

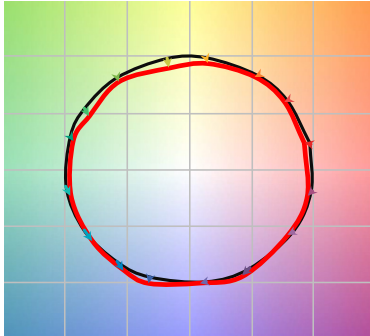
Multiply FINISH x COLOR to calculate other reflector finish and color combinations. Example: SoftGlow Pewter (VSPW) = 0.888 (VS) x 0.915 (PW) = 0.813

LTR-6RW Open

LITEISTRY 6" ROUND OPEN WALL WASH (WW/DWW/CWW)

TM-30 DATA

COLOR VECTOR GRAPHIC
3500K, 90 CRI



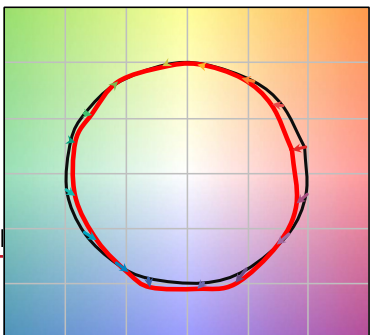
— Reference Illuminant — Test Source

COLOR DISTORTION GRAPHIC
3500K, 90 CRI



TEST RESULTS - 3500K		
Value	80+ CRI	90+ CRI
R_f	84	88
R_g	95	95
CCT (K)	3411	3419
D_{UV}	0.0015	0.0042
x	0.4120	0.4147
y	0.3974	0.4052
CIE R_a	84	93
CIE R_g	11	62

COLOR VECTOR GRAPHIC
3500K, 80 CRI



— Reference Illuminant — Test Source

COLOR DISTORTION GRAPHIC
3500K, 80 CRI



DRIVER DATA		
Input Voltage	120-277 V	347 V
Input Frequency	50/60 Hz	50/60 Hz
Power Factor	≥0.90	≥0.90
THD	<20%	<20%
EMI Filtering (FCC 47 CFR Part 15)	Class A	Class A

* Values for DM1 option shown, values for other dimming options may vary.

ADDITIONAL INFORMATION

Dimming Compatibility

For more details and recommended dimmer list, see Dimming Compatibility Information on currentlighting.com/prescolite.

DMX

See instruction sheet on currentlighting.com/prescolite for connection & installation information.

Central Inverters

For full fixture output in back-up mode, we recommend you visit currentlighting.com/dual-lite for your Central Lighting Inverter options. Please contact your local Current representative for any assistance with proper sizing and loading of your inverter selection. Central lighting inverters must be ordered separately.

Bezel Trim Accessories for Complex Environments

See installation instructions on currentlighting.com/prescolite for complete details.

Lumen Output in Emergency Mode

To determine the lumen output in emergency mode multiply the battery pack wattage by the fixture lumens per watt (LPW). For example, 7W x 120 LPW = 840 lumens in emergency mode.