

LTR-6RW Lens

LITEISTRY 6" ROUND LENSED WALL WASH (LWW)

FEATURES

- 6" architectural LED lensed wall wash delivering 600–4500 lm
- Provides smooth uniform vertical illumination
- 2700K–5000K, 80+ and 90+ CRI options
- Available for New Construction (non-IC), IC and Chicago Plenum applications
- Variety of dimming protocol options including 0-10V, DALI, DMX, and Lutron EcoSystem
- NX Lighting Controls wired and wireless controls capability available

LITEISTRY™

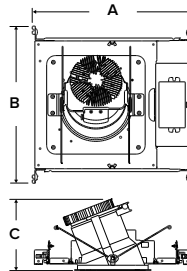


SERVICE PROGRAMS

tradeSELECT™ QS10



CONTROLS TECHNOLOGY



Typical Dimensions and Weights				
Lumen Package	"A" Length Inches (mm)	"B" Width Inches (mm)	"C" Height Inches (mm)	Weight lbs (kg)
06L - 15L	14.56 (370)	14.36 (365)	5.9 (150)	7.8 (3.5)
20L - 30L	14.56 (370)	14.36 (365)	6.68 (170)	8.2 (3.7)
35L - 45L	14.56 (370)	14.36 (365)	7.86 (200)	8.8 (4)

See DIMENSIONS section for complete details

SPECIFICATIONS

CONSTRUCTION

- Standard Non-IC. Chicago Plenum and IC options
- New Construction: Painted black durable steel platform with pre-installed bar hangers
- Pre-wired junction box with snap-on covers for easy access
- Snap-in connection from driver compartment allows easy installation
- Light Engine connections use plenum rated (CMP) cable

OPTICS

- Provides excellent uniformity down the wall
- The light distribution is free of distracting bright spots or pixelation and the perimeter has a smooth transition
- High purity spun aluminum reflector, self-flanged
- Flush mount flange option with mud-in ring available
- Large selection of anodized finishes and colors
- Painted cones and flange options available

ELECTRICAL

- Chip-on-board (COB) with 2 SDCM
- Multiple CCTs, 80+ or 90+ CRI
- Long LED life: L90 at >55,000 hours (TM-21)

ELECTRICAL (CONTINUED)

- Universal voltage 120V–277V driver, 347V optional
- UL Class 2, inherent short circuit and overload protection
- Flicker free 0–10V dimming with 1% or <1% performance
- DALI, DMX, and Lutron EcoSystem options
- NX Lighting Controls provides options for standalone and networked functionality with wired or wireless connectivity for NX system deployments
- Emergency battery pack option available with remote test switch and indicator light
- Refer to additional spec sheets for information on SpectraSync™ Tunable White or Dim-to-Warm solutions

INSTALLATION

- Accommodates ceiling thickness up to 1.25"
- Universal adjustable mounting brackets also accept ½" EMT conduit or 1½" or ¾" lathing channel (by others) or Prescolite accessory bar hangers (B24 or B6)
- Light engine/driver fully serviceable from above or below the ceiling

CERTIFICATIONS

- cCSAus certified to UL 1598
- Suitable for wet locations, covered ceiling EMR: Suitable for damp locations
- EMR: Certified under UL 924 standard for emergency lighting and power equipment
- EMR: Emergency battery packs are California Energy Commission (CEC) Title 20 Compliant
- Approved for 8 (4 in/4 out) No. 12AWG conductors rated for 90°C through wiring
- For -BAA Option: This product meets federal procurement law requirements under the Buy American Act (FAR 52.225-9) [See Buy America\(n\) Solutions](#)
- For -TAA Option: Product configurations meet federal procurement law requirements under the Trade Agreements Act (FAR 52.225-11) [See Buy America\(n\) Solutions](#)

WARRANTY

- 5 year warranty

KEY DATA	
Lumen Range	600-4500
Wattage Range	8-55
Efficacy Range (LPW)	76*
Reported Life (Hours)	L90 / >55,000
Input Current (mA)	67-458 (120V)

*Based on Specular, 35K, 80 CRI

LTR-6RW Lens

LITEISTRY 6" ROUND LENSED WALL WASH (LWW)

Gray Shading = Service Program **tradeSELECT** **QS10**
Limit of 150 Luminaires

ORDERING GUIDE

Example: LTR-6RD-H-SL10L-DM1-LTR-6RW-T-SL35K8LWW-S

CATALOG #

HOUSING

LTR-6RD-H		Lumen Package		Lumen Output		Driver Options		Control Options		Voltage		Housing Options					
Aperture/Shape/Function		SL Standard Lumen		ML Medium Lumen		HL High Lumen		DM1 0-10V Dimming to 1%		DM01 0-10V Dimming to < 1%		DMX DMX with RDM dimming to < 0.1% ³		DALI DALI Dimming to 1%		EDM Lutron Hi-Lume EcoSystem Dimming to 1% ³	
LTR-6RD-H	6" Round Downlight/WW/DWW Wall Wash New Construction Housing	06L		600		DM1		NX Lighting Controls		Standard 120-277V		CP Chicago Plenum ^{1,9}					
		10L		1000		DM01		Networked Wireless		34 347V ⁸		IC IC rated ^{1,10}					
		15L		1500		DMX		NXW NX Networked Wireless Radio Module NXRM2 and Bluetooth Programming, without Sensor ³				EMR 7W Emergency Battery Pack (CEC Title 20 Compliant) with remote test switch and indicator light ¹					
		20L		2000		DALI		Networked Wired				DTS Device Transfer Switch with Dimming Bypass ^{9,11}					
		25L		2500		EDM		NXE NX Wired Dual RJ45 SmartPORTS, without Sensor ³				GTD Generator Transfer Device ^{9,12}					
		30L		3000								F Fuse ¹					
		35L		3500								BAA Buy American Act (FAR 52.225-9) Compliant					
		40L		4000								TAA Trade Agreements Act (FAR 52.225-11) Compliant					
		45L		4500													

TRIM

LTR-6RW-T		Lumen Package		CCT		CRI		Distribution	
LTR-6RW-T	6" Round Wall Wash Light Engine/Trim Assembly	SL Standard Lumen		27K 2700K		8 80+CRI		LWW Lensed Wall Wash	
		ML Medium Lumen		30K 3000K		9 90+CRI			
		HL High Lumen		35K 3500K					
				40K 4000K					
				50K 5000K ²					

TRIM CONTINUED

Reflector Finish		Reflector Color		Flange Color Options		Lower Trim Options		Reflector Options	
<i>Finish not applicable with painted reflectors (WC or BC)</i>		Standard Clear		Standard matches reflector color		FM Flush Mount Mud-in Ring ⁷		AM Antimicrobial Coating ⁶	
S	Specular	CG	Champagne Gold	WT	White Flange ⁵			BAA Buy American Act (FAR 52.225-9) Compliant	
SS	Semi-Specular	BL	Black	BT	Black Flange ⁵			TAA Trade Agreements Act (FAR 52.225-11) Compliant	
MFC	American Matte™	LW	Light Wheat						
VS	Softglow®	PW	Pewter						
VSS	SoftSheen™	WC	Painted White Cone and Flange						
		BC	Painted Black Cone and Flange						

Accessories

- B24** Set of two (2) 24" bar hangers for T-bar ceilings
- B6** Set of two bar hangers for ceiling joist up to 24" centers
- FMR6-R** Flush Mount Flange Mud-In Ring, 6" Round
- LiteGear** LiteGear® Inverter, 125VA-250VA
- LPS Series** LightPower Micro-Inverter, 20VA-55VA
- MOR6-R-WH** Metal Oversized Ring, 6" Round, White (10" outside diameter)
- MOR6-R-BL** Metal Oversized Ring, 6" Round, Black (10" outside diameter)



Notes:

- 1 Housing options (except Fuse, BAA/TAA) not available in combination.
- 2 5000K available in 80+ CRI only.
- 3 EDM available in 10L-35L. DMX not available on >35L.
- 4 NX requires DM1 driver option.
- 5 WT not needed for WC, BT not needed for BC.
- 6 AM available with WC or Specular Clear (S or SWT). Consult factory for other colors.
- 7 Flush Mount Flange (FM) requires FMR accessory (sold separately).
- 8 347V available for 06L-30L; requires DM1 driver; not available with Controls, EMR, DTS, GTD or F.
- 9 Not available with DMX, Controls, or EMR options.
- 10 IC available up to 20L; not available with Controls options.
- 11 DTS available with DM1, DM01, or DALI. Not available with NXE.
- 12 Not available with NXE.

LTR-6RW Lens

LITEISTRY 6" ROUND LENSED WALL WASH (LWW)

NX LIGHTING CONTROLS

Control Option Ordering Logic & Description			Control Option Functionality								Control Option Components	
			Networkable	Grouping	Scheduling	Occupancy/Motion	Daylight Harvesting	0-10V Dimming	On/Off Control	Bluetooth App Programming		
NX Wireless	NXW	NX Networked Wireless Radio Module NXRM2 and Bluetooth Programming, without Sensor	✓	✓	✓	-	-	✓	✓	✓		NXRM2-H
NX Wired	NXE	NX Wired Dual RJ45 SmartPORTS, without Sensor	✓	✓	✓	-	-	✓	✓	✓ ¹		NXDSP

1 Requires NXBTC, order separately.

NX LIGHTING CONTROLS APP



The NX Lighting Controls App is a free to use mobile application for programming both an NX Lighting Controls System or Standalone Bluetooth Sensors. The mobile app allows you to configure devices, discover and setup wireless enabled luminaires and program your NX system settings.

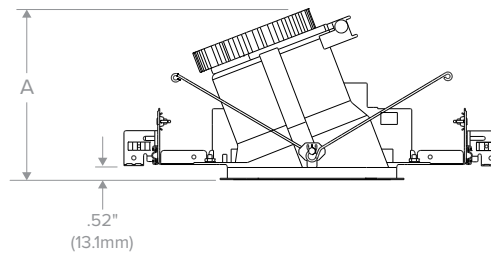
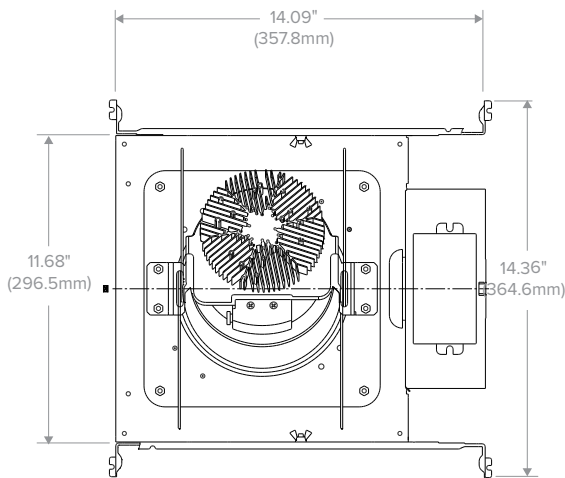


Android



Apple iOS

DIMENSIONS



Dimensional Data	
Aperture	5.75" (146.1mm)
Flange:	Standard 7.00" (177.8mm)
	Flush Mount 6.54" (166.0mm)
Ceiling Cutout:	Standard 6.50" (165.1mm)
	Flush Mount 6.75" (171.5mm)
Ceiling Thickness:	0.50" to 1.25" (12.7mm to 31.8mm)

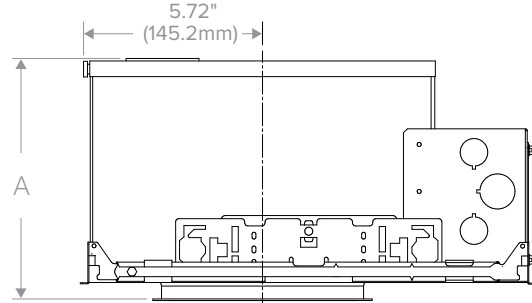
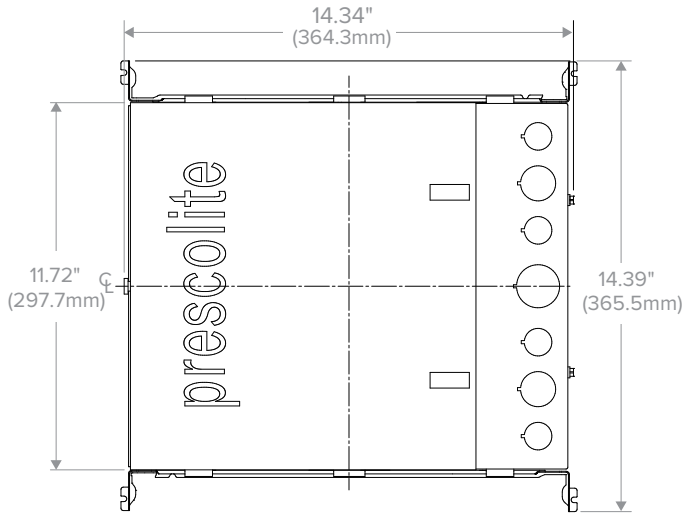
Lumen Package	"A"
06L-15L	6.18" (157mm)
20L-30L	6.46" (164.1mm)
35L-45L	7.93" (201.4mm)

LTR-6RW LENS-H

LTR-6RW Lens

LITEISTRY 6" ROUND LENSED WALL WASH (LWW)

DIMENSIONS (CONTINUED)



Dimensional Data		
Aperture		5.75" (146.1mm)
Flange:	Standard	7.00" (177.8mm)
	Flush Mount	6.54" (166.0mm)
Ceiling Cutout:	Standard	6.50" (165.1mm)
	Flush Mount	6.75" (171.5mm)
Ceiling Thickness:		0.50" to 1.25" (12.7mm to 31.8mm)

Lumen Package	"A"
Standard	7.68" (195.0mm)
CP option ≥35L	10.06" (255.5mm)

LTR-6RD-H-IC/CP

PHOTOMETRY

LTR-6RD-H-ML20L-DM1 / LTR-6RW-T-ML35K8LWWS

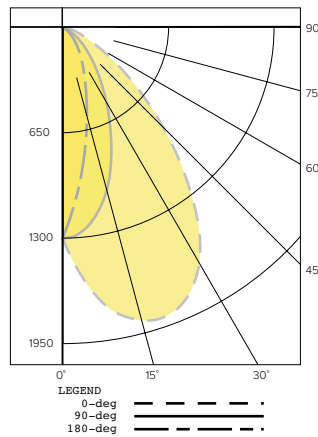
LUMINAIRE DATA

Test No.	19.00822
Description	6" Lensed Wall-Wash; 2000lm 3500K, 80 CRI
Delivered Lumens	1710
Watts	22.6W
Efficacy	75.6
Mounting	Recessed

ZONAL LUMEN SUMMARY

Zone	Lumens	% Luminaire
0-40	1218	71.2
0-60	1633	95.5
0-90	1710	100.0
0-180	1710	100.0

POLAR GRAPH



CANDELA DISTRIBUTION

Degree	Candela
0	1304
5	1574
15	1874
25	1831
35	1451
45	882
55	433
65	173
75	57
85	0
90	0

LUMINANCE DATA*

Vertical Angle	Average
45°	74454
55°	45061
65°	24435
75°	13146
85°	0

*Candela/Square Meter

LTR-6RW Lens

LITEISTRY 6" ROUND LENSED WALL WASH (LWW)

PHOTOMETRY (CONTINUED)

LUMEN MULTIPLIER

Option	27K8	30K8	35K8	40K8	50K8	27K9	30K9	35K9	40K9
Multiplier	0.94	0.98	1.00	1.01	1.02	0.81	0.84	0.85	0.85

Photometrics are published below at a nominal 3500 Kelvin, 80+ CRI. This table may be used to approximate the lumen values at different Kelvin temperatures. Power consumption would stay the same.

REFLECTOR FINISH MULTIPLIER (Based on Clear (Standard) Color)

Option	Specular (S)	Semi-Specular (SS)	American Matte (MFC)	Softglow (VS)	Softsheen (VSS)
Multiplier	1	1	0.984	0.888	0.938

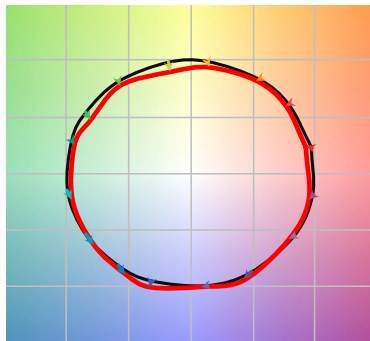
REFLECTOR COLOR MULTIPLIER (Based on Semi-Specular (SS) Finish)

Option	Clear (Standard)	Champagne Gold (CG)	Black (BL)	Light Wheat (LW)	Pewter (PW)	White Cone (WC)	Black Cone (BC)
Multiplier	1	0.974	0.444	0.861	0.915	0.984	0.442

Multiply FINISH x COLOR to calculate other reflector finish and color combinations. Example: SoftGlow Pewter (VSPW) = 0.888 (VS) x 0.915 (PW) = 0.813

TM-30 DATA

COLOR VECTOR GRAPHIC
3500K, 90 CRI



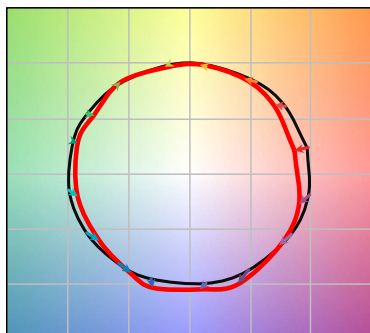
— Reference Illuminant — Test Source

COLOR DISTORTION GRAPHIC
3500K, 90 CRI



TEST RESULTS - 3500K		
Value	80+ CRI	90+ CRI
R _f	84	88
R _g	95	95
CCT (K)	3411	3419
D _{uv}	0.0015	0.0042
x	0.4120	0.4147
y	0.3974	0.4052
CIE R _a	84	93
CIE R _g	11	62

COLOR VECTOR GRAPHIC
3500K, 80 CRI



— Reference Illuminant — Test Source

COLOR DISTORTION GRAPHIC
3500K, 80 CRI



LTR-6RW Lens

LITEISTRY 6" ROUND LENSED WALL WASH (LWW)

ELECTRICAL DATA

DRIVER DATA		
Input Voltage	120-277 V	347 V
Input Frequency	50/60 Hz	50/60 Hz
Power Factor	≥0.90	≥0.90
THD	<20%	<20%
EMI Filtering (FCC 47 CFR Part 15)	Class A	Class A

* Values for DM1 option shown, values for other dimming options may vary.

ADDITIONAL INFORMATION

Dimming Compatibility

For more details and recommended dimmer list, see Dimming Compatibility Information on currentlighting.com/prescolite.

DMX

See instruction sheet on currentlighting.com/prescolite for connection & installation information.

Central Inverters

For full fixture output in back-up mode, we recommend you visit currentlighting.com/dual-lite for your Central Lighting Inverter options. Please contact your local Current representative for any assistance with proper sizing and loading of your inverter selection. Central lighting inverters must be ordered separately.

Lumen Output in Emergency Mode

To determine the lumen output in emergency mode multiply the battery pack wattage by the fixture lumens per watt (LPW). For example, 7W x 120 LPW = 840 lumens in emergency mode.