

LTR-6SQA

LITEISTRY 6" SQUARE ADJUSTABLE

DATE: _____ LOCATION: _____

TYPE: _____ PROJECT: _____

CATALOG #: _____

FEATURES

- 6" architectural LED adjustable accent delivering 600–3500 lm
- Four field interchangeable beam distributions from 15° to 45°
- Translating center beam optic allows 0–35° vertical tilt, 362° horizontal rotation
- Accommodates up to two lens media including hexcell louver and linear spread options
- Variety of dimming protocol options including 0-10V, DALI, DMX, and Lutron EcoSystem
- NX Lighting Controls wired and wireless controls capability available



CONTROLS TECHNOLOGY



SPECIFICATIONS

CONSTRUCTION

- Standard Non-IC. Chicago Plenum and IC options
- Painted black enclosed steel platform with tool-less top access and pre-installed bar hangers
- Smooth friction adjustment with 0-35° vertical tilt, 362° horizontal rotation without tools
- Precise hot aiming capability, securely locks with thumbscrews for dependable control

OPTICS

- Translating center beam optic ensures full beam optimization from 0.5" to 1.25" ceiling thickness
- Proprietary twist-and-lock upper reflector with diffusion film provides 15°, 25°, 35° or 45° beam distributions
- Optional accessory lens media including linear spread and hexcell louver (order separately)
- Upper reflector can accommodate up to two additional lens media up to 0.25" max. thickness
- Provides dramatic, crisp highlights without distracting rings or excessive spill light
- Standard angle cut cone: High purity, four-panel aluminum reflector, self-flanged
- Flush mount flange option with mud-in ring available

OPTICS (CONTINUED)

- Large selection of anodized finishes and colors
- Painted cones and flange options available

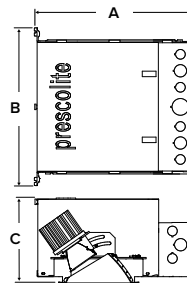
ELECTRICAL

- Chip-on-board (COB) LED with 2 SDCM
- Multiple CCTs, 80+ or 90+ CRI
- Universal voltage 120V/277V driver, 347V optional
- UL Class 2, inherent short circuit and overload protection
- Flicker free 0-10V dimming with 1% or <1% performance
- DALI, DMX, and Lutron EcoSystem options
- NX Lighting Controls provides options for standalone and networked functionality with wired or wireless connectivity for NX system deployments
- Emergency battery pack option available with remote test switch and indicator light

INSTALLATION

- Accommodates ceiling thickness up to 1.25"
- Universal adjustable mounting brackets also accept 1/2" EMT conduit or 1/2" or 3/4" lathing channel (by others) or Prescolite accessory bar hangers (B24 or B6)
- Light Engine and driver serviceable from above or below ceiling. Top access required for Controls, EMR, GTD, or DTS component replacement

LITEISTRY™



Typical Dimensions		
"A" Length Inches (mm)	"B" Width Inches (mm)	"C" Height Inches (mm)
14.56 (370)	14.36 (365)	8.24 (210)

See DIMENSIONS section for complete details

CERTIFICATIONS

- cCSAus certified to UL 1598
- Suitable for damp locations
- EMR: Certified UL 924 standard for emergency lighting and power equipment
- EMR: Emergency battery packs are California Energy Commission (CEC) Title 20 Compliant
- Approved for 8 (4 in/4 out) No. 12AWG conductors rated for 90°C through wiring
- For -BAA Option: This product meets federal procurement law requirements under the Buy American Act (FAR 52.225-9) [See Buy America\(n\) Solutions](#)
- For -TAA Option: Product configurations meet federal procurement law requirements under the Trade Agreements Act (FAR 52.225-11) [See Buy America\(n\) Solutions](#)

WARRANTY

- 5 year warranty

KEY DATA	
Lumen Range	600-3500
Wattage Range	8-43
Efficacy Range (LPW)	74-77*
Reported Life (Hours)	L90 / >55,000
Input Current (mA)	67-358 (120V)

*Based on Specular, 35K, 80 CRI

LTR-6SQA

LITEISTRY 6" SQUARE ADJUSTABLE

DATE: _____ LOCATION: _____

TYPE: _____ PROJECT: _____

CATALOG #: _____

ORDERING GUIDE

Example: LTR-6SQA-H-10L35K8NR-DM1-LTR-6SQA-T-SSCG

CATALOG #

HOUSING

LTR-6SQA-H		Lumen Output		CCT		CRI		Distribution	
Aperture/Shape/Function									
LTR-6SQA-H	6" Square Adjustable New Construction Housing	06L	600	27K	2700K	8	80+ CRI	NR	Narrow 15° ¹³
		10L	1000	30K	3000K	9	90+ CRI	MD	Medium 25°
		15L	1500	35K	3500K			WD	Wide 35°
		20L	2000	40K	4000K			XW	Extra Wide 45°
		25L	2500	50K	5000K ²				
		30L	3000						
		35L	3500						

HOUSING (CONTINUED)

Driver Options		Control Options		Voltage		Housing Options	
DM1	0-10V Dimming to 1%	NX Lighting Controls		Standard 120-277V		CP	Chicago Plenum ^{1,9}
DM01	0-10V Dimming to < 1% ¹²	Networked Wireless				IC	IC rated ^{1,10}
DMX	DMX with RDM dimming to < 0.1%	NXW NX Networked Wireless Radio Module NXRM2 and Bluetooth Programming, without Sensor ⁴		34 347V ⁸		EMR	7W Emergency Battery Pack (CEC Title 20 Compliant) with remote test switch and indicator light ¹
DALI	DALI Dimming to 1% ¹²	Networked Wired				GTD	Generator Transfer Device ^{1,15}
EDM	Lutron Hi-Lume EcoSystem Dimming to 1% ³	NXE NX Wired Dual RJ45 SmartPORTS, without Sensor ⁴				DTS	Device Transfer Switch with Dimming Bypass ^{1,14}
						F	Fuse ¹
						BAA	Buy American Act (FAR 52.225-9) Compliant
						TAA	Trade Agreements Act (FAR 52.225-11) Compliant

TRIM

LTR-6SQA-T		Lower Trim Style		Reflector Finish		Reflector Color		Flange Color Options		Lower Trim Options		Reflector Options	
LTR-6SQA-T	6" Square Adjustable Trim Assembly	Standard Angle Cut Cone		Finish not applicable with painted reflectors (WC or BC)		Standard Clear		Standard matches reflector color		FM Flush Mount Mud-in Ring ⁷		AM Antimicrobial Coating ⁶	
		S Specular		CG Champagne Gold		WT White Flange ⁵						BAA Buy American Act (FAR 52.225-9) Compliant	
		SS Semi-Specular		BL Black		BT Black Flange ⁵						TAA Trade Agreements Act (FAR 52.225-11) Compliant	
		VS Softglow [®]		LW Light Wheat									
		PW Pewter		WC Painted White Cone and Flange									
		BC Painted Black Cone and Flange											

Accessories

- B24** Set of two (2) 24" bar hangers for T-bar ceilings
- B6** Set of two bar hangers for ceiling joist up to 24" centers
- FMR6-SQ** Flush Mount Mud-In Ring, 6" Square
- LiteGear** LiteGear[®] Inverter, 125VA-250VA
- LPS Series** LightPower Micro-Inverter, 20VA-55VA
- MOR6-SQ-WH** Metal Oversized Ring, 6" Square, White (10.25" outer dimension)
- MOR6-SQ-BL** Metal Oversized Ring, 6" Square, Black (10.25" outer dimension)

Lens/Media Accessories

- LL4** Linear Spread Lens for 4" and 6" (MD, WD, XW)¹¹
- LL4-NR** Linear Spread Lens for 4" and 6" (NR only)¹¹
- PL4** Prismatic Lens for 4" and 6" (MD, WD, XW)¹¹
- PL4-NR** Prismatic Lens for 4" and 6" (NR only)¹¹
- SOL4** Solite Lens for 4" and 6" (MD, WD, XW)¹¹
- SOL4-NR** Solite Lens for 4" and 6" (NR only)¹¹
- HL4** Hexcell Louver Black for 4" and 6" (MD, WD, XW)¹¹
- HL4-NR** Hexcell Louver Black for 4" and 6" (NR only)¹¹

Notes:

- 1 Housing options (except Fuse, BAA/TAA) not available in combination.
- 2 5000K available in 80+ CRI only.
- 3 EDM available in 10L-35L.
- 4 NX requires DM1 driver option.
- 5 WT not needed for WC, BT not needed for BC.
- 6 AM available with WC or Specular Clear (S or SWT). Consult factory for other colors.
- 7 Flush Mount Flange (FM) requires FMR accessory (sold separately).
- 8 347V available for 06L-30L; requires DM1 driver; not available with Controls, EMR, DTS, GTD or F.
- 9 CP available up to 15L; not available with DMX, Controls, or EMR options.
- 10 IC available up to 15L; not available with Controls options.
- 11 Lens holder supplied with fixture accommodates up to 2 media (0.25" total max. thickness).
- 12 DM01, DALI available up to 20L.
- 13 Narrow (NR) available up to 20L.
- 14 DTS available with DM1, DM01, or DALI. Not available with NXE.
- 15 Not available with NXE.

NX LIGHTING CONTROLS



Control Option Ordering Logic & Description			Control Option Functionality								Control Option Components	
			Networkable	Grouping	Scheduling	Occupancy/Motion	Daylight Harvesting	0-10V Dimming	On/Off Control	Bluetooth App Programming		
NX Wireless	NXW	NX Networked Wireless Radio Module NXRM2 and Bluetooth Programming, without Sensor	✓	✓	✓	-	-	✓	✓	✓		NXRM2-H
NX Wired	NXE	NX Wired Dual RJ45 SmartPORTS, without Sensor	✓	✓	✓	-	-	✓	✓	✓ ¹		NXDSP

1 Requires NXBTC, order separately.

NX LIGHTING CONTROLS APP



The NX Lighting Controls App is a free to use mobile application for programming both an NX Lighting Controls System or Standalone Bluetooth Sensors. The mobile app allows you to configure devices, discover and setup wireless enabled luminaires and program your NX system settings.

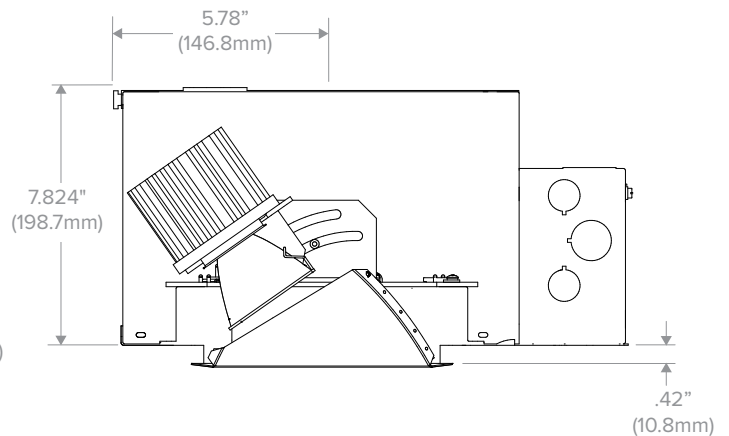
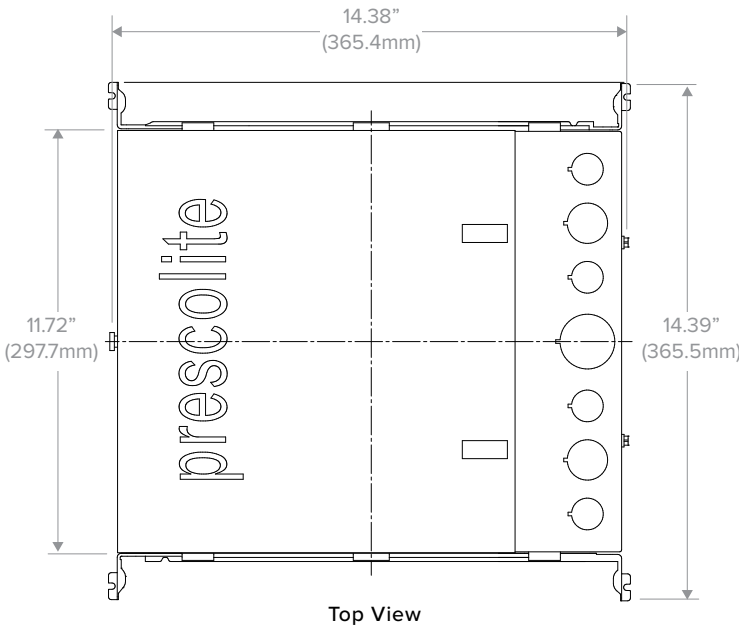


Android



Apple iOS

DIMENSIONS



Dimensional Data		
Aperture		6.00" (152.4mm) SQ.
Flange	Standard	7.25" (184.2mm) SQ.
	Flush Mount	6.47" (164.3mm) SQ.
Ceiling Cutout	Standard	6.69" (169.9mm) SQ.
	Flush Mount	6.88" (174.8mm) SQ.
Ceiling Thickness		0.5" to 1.25" (12.7mm to 31.8mm)

LTR-6SQA

LITEISTRY 6" SQUARE ADJUSTABLE

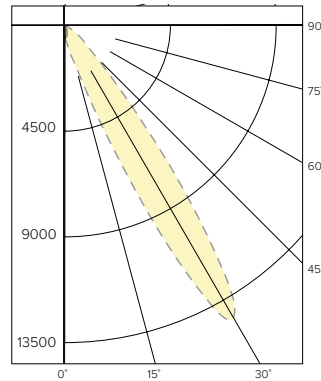
PHOTOMETRY

LTR-6SQA-H-20L35K8NR-DM1 / LTR-6SQA-T-S

LUMINAIRE DATA

Test No.	19.01342
Description	2000 lm, Narrow, 3500K, 80 CRI
Delivered Lumens	1763
Watts	22.8W
Efficacy	77.3
Mounting	Recessed
Beam Angle (FWHM)	15

POLAR GRAPH



CANDELA DISTRIBUTION

Degree	Candela-0	Candela-45	Candela-90
0	567	567	567
5	773	714	542
15	1960	1127	387
25	10390	970	140
35	9520	750	40
45	1588	471	16
55	165	27	5
65	10	6	1
75	0	0	0
85	0	0	0
90	0	0	0

ZONAL LUMEN SUMMARY

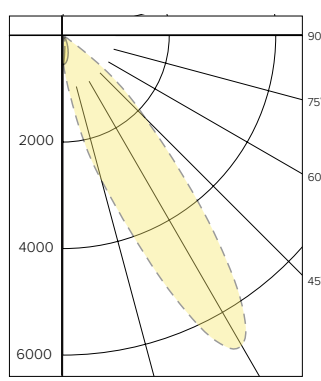
Zone	Lumens	% Luminaire
0-40	1459	82.8
0-60	1759	99.8
0-90	1763	100.0
0-180	1763	100.0

LTR-6SQA-H-20L35K8MD-DM1 / LTR-6SQA-T-S

LUMINAIRE DATA

Test No.	19.01343
Description	2000 lm, Medium, 3500K, 80 CRI
Delivered Lumens	1694
Watts	21.9W
Efficacy	77.3
Mounting	Recessed
Beam Angle (FWHM)	24

POLAR GRAPH



CANDELA DISTRIBUTION

Degree	Candela-0	Candela-45	Candela-90
0	536	536	536
5	965	804	508
15	2858	1513	339
25	6002	1412	155
35	5587	945	58
45	2152	413	22
55	171	48	7
65	14	9	1
75	0	0	0
85	0	0	0
90	0	0	0

ZONAL LUMEN SUMMARY

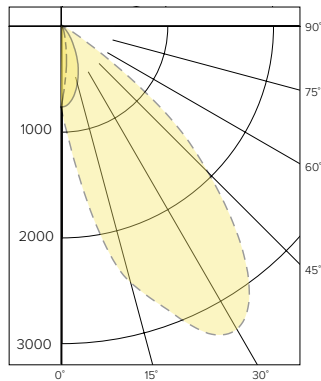
Zone	Lumens	% Luminaire
0-40	1329	78.4
0-60	1689	99.7
0-90	1694	100.0
0-180	1694	100.0

LTR-6SQA-H-20L35K8WD-DM1 / LTR-6SQA-T-S

LUMINAIRE DATA

Test No.	19.01344
Description	2000 lm, Wide, 3500K, 80 CRI
Delivered Lumens	1665
Watts	21.9W
Efficacy	76.0
Mounting	Recessed
Beam Angle (FWHM)	38

POLAR GRAPH



CANDELA DISTRIBUTION

Degree	Candela-0	Candela-45	Candela-90
0	777	777	777
5	1219	1054	754
15	2515	1703	585
25	3202	1518	364
35	3104	1160	171
45	1960	641	54
55	431	136	12
65	26	15	1
75	0	0	0
85	0	0	0
90	0	0	0

ZONAL LUMEN SUMMARY

Zone	Lumens	% Luminaire
0-40	1215	73
0-60	1654	99.3
0-90	1665	100.0
0-180	1665	100.0

LTR-6SQA

LITEISTRY 6" SQUARE ADJUSTABLE

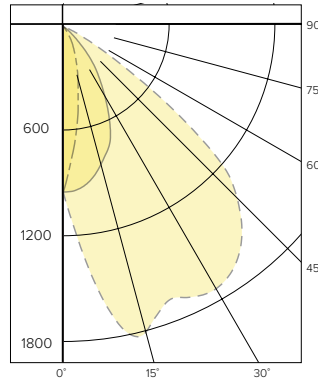
PHOTOMETRY (CONTINUED)

LTR-6SQA-H-20L35K8XW-DM1 / LTR-6SQA-T-S

LUMINAIRE DATA

Test No.	19.01345
Description	2000 lm, Wide, 3500K, 80 CRI
Delivered Lumens	1611
Watts	21.9 W
Efficacy	73.6
Mounting	Recessed
Beam Angle (FWHM)	55

POLAR GRAPH



CANDELA DISTRIBUTION

Degree	Candela-0	Candela-45	Candela-90
0	939	939	939
5	1297	1178	928
15	1799	1598	815
25	1695	1344	630
35	1680	1186	356
45	1401	804	127
55	558	284	22
65	66	30	2
75	0	1	1
85	0	0	0
90	0	0	0

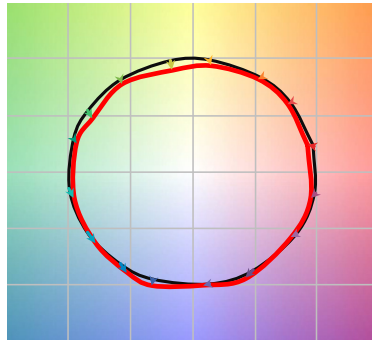
ZONAL LUMEN SUMMARY

Zone	Lumens	% Luminaire
0-40	1113	69.1
0-60	1586	98.5
0-90	1611	100.0
0-180	1611	100.0

LEGEND
 0-deg - - - - -
 90-deg - - - - -
 180-deg - - - - -

TM-30 DATA

COLOR VECTOR GRAPHIC 3500K, 90 CRI



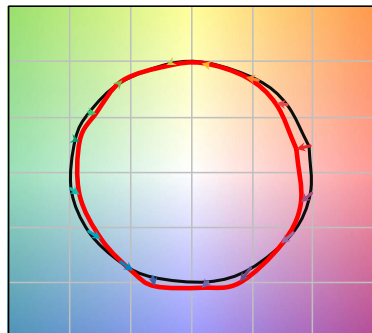
— Reference Illuminant — Test Source

COLOR DISTORTION GRAPHIC 3500K, 90 CRI



TEST RESULTS - 3500K		
Value	80+ CRI	90+ CRI
R _f	84	88
R _g	95	95
CCT (K)	3411	3419
D _{uv}	0.0015	0.0042
x	0.4120	0.4147
y	0.3974	0.4052
CIE R _a	84	93
CIE R ₉	11	62

COLOR VECTOR GRAPHIC 3500K, 80 CRI



— Reference Illuminant — Test Source

COLOR DISTORTION GRAPHIC 3500K, 80 CRI



LTR-6SQA

LITEISTRY 6" SQUARE ADJUSTABLE

ELECTRICAL DATA

DRIVER DATA		
Input Voltage	120-277V	347V
Input Frequency	50/60 Hz	50/60 Hz
Power Factor	≥0.90	≥0.90
THD	<20%	<20%
EMI Filtering (FCC 47 CFR Part 15)	Class A	Class A

* Values for DM1 option shown, values for other dimming options may vary.

ADDITIONAL INFORMATION

Dimming Compatibility

For more details and recommended dimmer list, see Dimming Compatibility Information on currentlighting.com/prescolite.

DMX

See instruction sheet on currentlighting.com/prescolite for connection & installation information.

Central Inverters

For full fixture output in back-up mode, we recommend you visit currentlighting.com/dual-lite for your Central Lighting Inverter options. Please contact your local Current representative for any assistance with proper sizing and loading of your inverter selection. Central lighting inverters must be ordered separately.

Lumen Output in Emergency Mode

To determine the lumen output in emergency mode multiply the battery pack wattage by the fixture lumens per watt (LPW). For example, 7W x 120 LPW = 840 lumens in emergency mode.