

LTR-6SQW Lens SpectraSync

LITEISTRY 6" SQUARE LENSED WALL WASH (LWW)
WITH COLOR TUNING

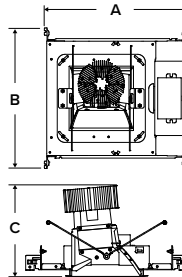
LITEISTRY™

FEATURES

- 6" architectural LED lensed wall wash delivering 600–3000 lm
- Provides smooth, uniform vertical illumination
- SpectraSync™ Color Tuning technology allows the flexibility to tailor CCT to aesthetic preferences.
- Available in Dim to Warm (2200K-3000K) or Tunable White (2700K-5000K or 2700K-6500K), 90+ CRI
- Available for New Construction (non-IC), IC and Chicago Plenum applications
- Standard with 0-10V dimming to 5%
- NX Lighting Controls wired and wireless controls capability available



CONTROLS TECHNOLOGY



Typical Dimensions and Weights				
Lumen Package	"A" Length Inches (mm)	"B" Width Inches (mm)	"C" Height Inches (mm)	Weight lbs (kg)
06L - 15L	14.56 (370)	14.36 (365)	6 (152)	8 (3.6)
20L - 30L	14.56 (370)	14.36 (365)	6.78 (172)	8.4 (3.8)

See DIMENSIONS section for complete details

SPECIFICATIONS

CONSTRUCTION

- Painted black durable steel platform with pre-installed bar hangers
- Pre-wired junction box with snap-on covers for easy access
- Snap-in connection from driver compartment allows easy installation
- Light Engine connections use plenum rated (CMP) cable

OPTICS

- Provides excellent uniformity down the wall
- The light distribution is free of distracting bright spots or pixelation and the perimeter has a smooth transition
- High purity four panel aluminum reflector, self-flanged
- Flush mount flange option with mud-in ring available
- Large selection of anodized finishes and colors
- Painted cones and flange options available

ELECTRICAL

- LED array with 3 SDCM color consistency
- Dim to Warm (2200K-3000K) or Tunable White (2700K-5000K or 2700K-6500K) options available
- 90+ CRI standard

ELECTRICAL (CONTINUED)

- Long LED life: L70 at >60,000 hours (TM-21)
- Universal voltage 120V–277V driver
- UL Class 2, inherent short circuit and overload protection
- Flicker free 0–10V dimming to 5%
- NX Lighting Controls provides options for standalone and networked functionality with wired or wireless connectivity for NX system deployments
- Emergency Battery Pack option available with remote test switch and indicator light
- Refer to additional spec sheets for information on standard LITEISTRY solutions

INSTALLATION

- Accommodates ceiling thicknesses up to 1.25"
- Universal adjustable mounting brackets also accept 1/2" EMT conduit or 1 1/2" or 3/4" lathing channel (by others) or Prescolite accessory bar hangers (B24 or B6)
- Light engine/driver fully serviceable from above or below the ceiling

CERTIFICATIONS

- cCSAus certified to UL 1598
- Suitable for wet locations, covered ceiling
- EMR: Suitable for damp locations

CERTIFICATIONS (CONTINUED)

- EMR: Certified under UL 924 standard for emergency lighting and power equipment
- EMR: Emergency battery packs are California Energy Commission (CEC) Title 20 Compliant
- Approved for 8 (4 in/4 out) No. 12AWG conductors rated for 90°C through wiring
- For -BAA Option: This product meets federal procurement law requirements under the Buy American Act (FAR 52.225-9) [See Buy America\(n\) Solutions](#)
- For -TAA Option: Product configurations meet federal procurement law requirements under the Trade Agreements Act (FAR 52.225-11) [See Buy America\(n\) Solutions](#)

WARRANTY

- 5 year warranty

KEY DATA	
Lumen Range	600-3000
Wattage Range	10-49
Efficacy Range (LPW)	53*
Reported Life (Hours)	L70 / >60,000
Input Current (mA)	83-408 (120V)

*Based on Specular, 30K, 90 CRI

LTR-6SQW Lens SpectraSync

LITEISTRY 6" SQUARE LENSED WALL WASH (LWW)
WITH COLOR TUNING

ORDERING GUIDE

Example: LTR-6SQD-H-SL10L-DMTW-LTR-6SQW-T-SL2230TD9LWW-SS

CATALOG #

HOUSING

LTR-6SQD-H		Lumen Package		Lumen Output		Driver Options		Control Options		Voltage		Housing Options	
Aperture/Shape/Function													
LTR-6SQD-H	6" Square Downlight / Wall Wash New Construction Housing	SL	Standard Lumen	06L	600	DMTW	SpectraSync™ Dim to Warm, 0-10V Dimming to 5% ¹	NX Lighting Controls	Networked Wireless	Standard 120-277V		CP	Chicago Plenum ^{6,7,8}
		ML	Medium Lumen	15L	1500							IC	IC rated ^{6,7,8}
		HL	High Lumen	25L	2500							EMR	7W Emergency Battery Pack (CEC Title 20 Compliant) with remote test switch and indicator light ^{6,8}
				30L	3000	DMT	SpectraSync™ Tunable White, 0-10V Dimming to 5% ²	Networked Wired				F	Fuse ⁶
								NXE	NX Wired Dual RJ45 SmartPORTS, without Sensor			BAA	Buy American Act (FAR 52.225-9) Compliant
												TAA	Trade Agreements Act (FAR 52.225-11) Compliant

TRIM

LTR-6SQW-T		Lumen Package		CCT		CRI		Distribution	
Aperture/Shape/Function									
LTR-6SQW-T	6" Square Wall Wash Engine/Trim Assembly	SL	Standard Lumen	2230TD	2200K-3000K SpectraSync™ Dim to Warm	9	90+CRI	LWW	Lensed Wall Wash
		ML	Medium Lumen	2750T	2700K-5000K SpectraSync™ Tunable White				
		HL	High Lumen	2765T	2700K-6500K SpectraSync™ Tunable White				

TRIM CONTINUED

Reflector Finish		Reflector Color		Flange Color Options		Lower Trim Options		Reflector Options	
<i>Finish not applicable with painted reflectors (WC or BC)</i>		<i>Standard Clear</i>		<i>Standard matches reflector color</i>		FM Flush Mount Mud-In Ring ⁵		AM Antimicrobial Coating ⁴	
S	Specular	CG	Champagne Gold	WT	White Flange ³			BAA Buy American Act (FAR 52.225-9) Compliant	
SS	Semi-Specular	BL	Black	BT	Black Flange ³			TAA Trade Agreements Act (FAR 52.225-11) Compliant	
VS	Softglow®	LW	Light Wheat						
		PW	Pewter						
		WC	Painted White Cone and Flange						
		BC	Painted Black Cone and Flange						

Accessories

- B24 Set of two (2) 24" bar hangers for T-bar ceilings
- B6 Set of two bar hangers for ceiling joist up to 24" centers
- FMR6-SQ Flush Mount Flange Mud-In Ring, 6" Square
- LiteGear LiteGear® Inverter, 125VA-250VA
- LPS Series LightPower Micro-Inverter, 20VA-55VA
- MOR6-SQ-WH Metal Oversized Ring, 6" Square, White (10.25" outer dimension)
- MOR6-SQ-BL Metal Oversized Ring, 6" Square, Black (10.25" outer dimension)



Notes:

- 1 Must select 2230TD with DMTW driver.
- 2 Must select either 2750T or 2765T with DMT driver.
- 3 WT not needed for WC, BT not needed for BC.
- 4 AM available with WC or Specular Clear (S or SWT). Consult factory for other colors.
- 5 Flush mount flange (FM) requires FMR accessory (sold separately).
- 6 Housing options (except Fuse, BAA/TAA) not available in combination.
- 7 IC, CP available in 06L.
- 8 Not available with Control options.

LTR-6SQW Lens SpectraSync

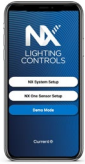
LITEISTRY 6" SQUARE LENSED WALL WASH (LWW)
WITH COLOR TUNING

NX LIGHTING CONTROLS

Control Option Ordering Logic & Description			Control Option Functionality								Control Option Components	
			Networkable	Grouping	Scheduling	Occupancy/ Motion	Daylight Harvesting	0-10V Dimming	On/Off Control	Bluetooth App Programming		
NX Wireless	NXW	NX Networked Wireless Radio Module NXRM2 and Bluetooth Programming, without Sensor	✓	✓	✓	-	-	✓	✓	✓		NXRM2-H
NX Wired	NXE	NX Wired Dual RJ45 SmartPORTS, without Sensor	✓	✓	✓	-	-	✓	✓	✓ ¹		NXDSP

¹ Requires NXBTC, order separately.

NX LIGHTING CONTROLS APP



The NX Lighting Controls App is a free to use mobile application for programming both an NX Lighting Controls System or Standalone Bluetooth Sensors. The mobile app allows you to configure devices, discover and setup wireless enabled luminaires and program your NX system settings.



Android



Apple iOS

LTR-6SQW Lens SpectraSync

LITEISTRY 6" SQUARE LENSED WALL WASH (LWW)
WITH COLOR TUNING

SPECTRASYNC™ COLOR TUNING TECHNOLOGY

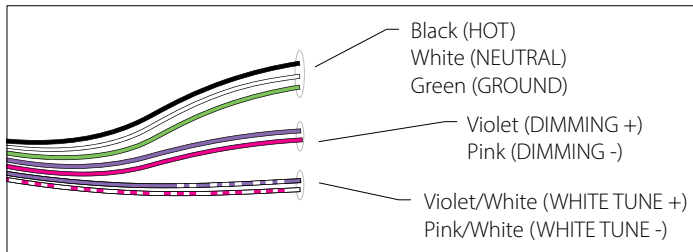
Control your space based on the needs of the application, specific activities throughout the day and preferences of the occupants with distinct SpectraSync™ Color Tuning Technologies.



SPECTRASYNC COLOR TUNING TECHNOLOGY		
Mode	Kelvin Range	Description
Dim to Warm	2200K-3000K	Mimics the familiar warming effect that occurs with traditional incandescent sources as they are dimmed
Tunable White	2700K-5000K 2700K-6500K	Offers users the ability to tailor CCT to their personal preference, enhancing task visibility, material and colors or the aesthetics of the space
Scheduled White	2700K-5000K 2700K-6500K	Mimics the rhythm of natural light or follows an alternative user-defined schedule throughout the day, enhancing an occupant's mood and well-being

SpectraSync Tunable White

Available in two options: 2750T (2700K–5000K) or 2765T (2700K–6500K). Requires two 0–10V controllers, one for intensity and one for CCT. Minimum 5% dimming.

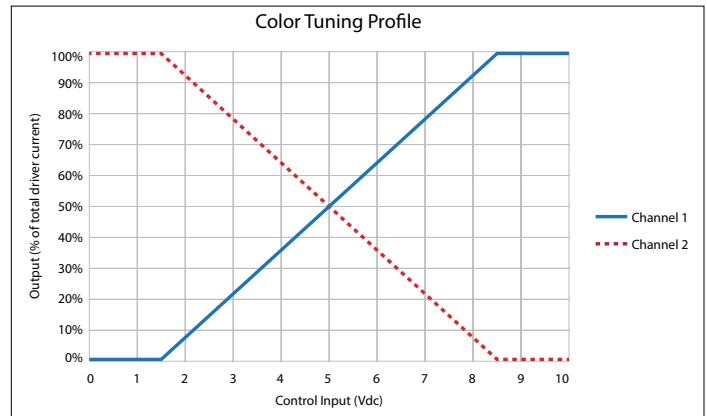


SpectraSync Tunable White luminaires are provided with two 0–10V circuits. The violet and pink circuit is for wiring to any qualified 0–10V controller for dimming. The violet/white and pink/white circuit is for wiring to any qualified 0–10V controller for Tunable White CCT control.

Controller Manufacturer Data

SpectraSync Tunable White was designed to be used with sinking style dimmers (provided by others) and is compatible with:

- Current: NX Lighting Controls Room Controllers (NXRC) and In-fixture Controllers (NXFM)
- Lutron: DDTV, DVSTV, and NFTV dimmers
- Wattstopper: ADF120277 and CD4BL (Titan) dimmers

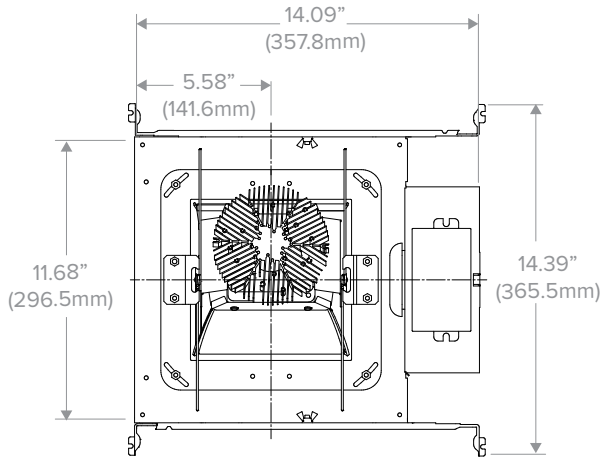


To enable scheduling and for use with NX wall control preset stations please refer to SpectraSync technical sheet.

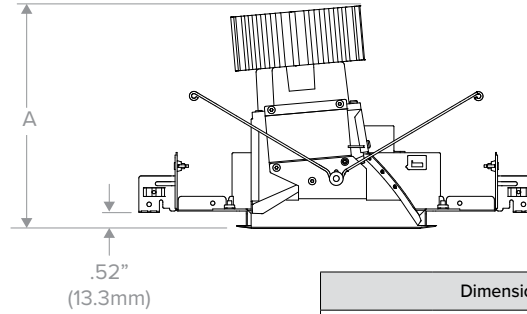
LTR-6SQW Lens SpectraSync

LITEISTRY 6" SQUARE LENSED WALL WASH (LWW)
WITH COLOR TUNING

DIMENSIONS



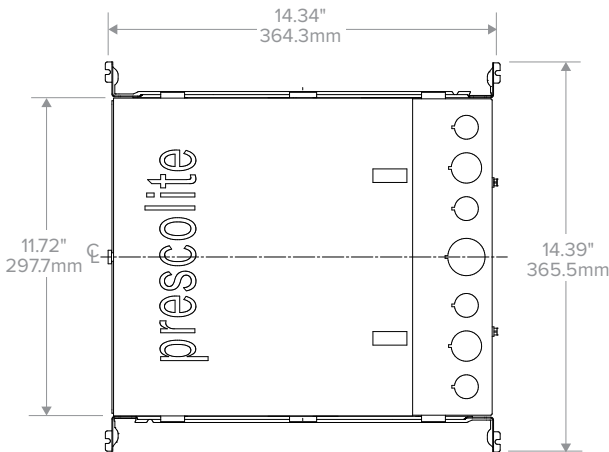
Top View



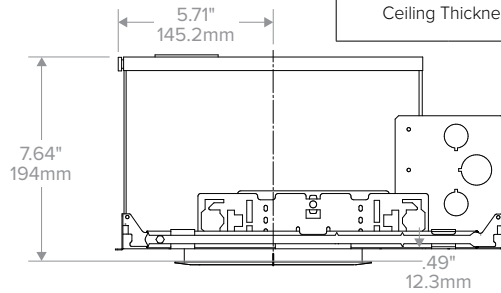
Lumen Package	"A"
06L-10L	6.82" (173.2mm)
15L-20L	9.18" (233.2mm)
25L-30L	9.88" (251.0mm)

Dimensional Data		
Aperture		6.00" (152.4mm) SQ
Flange	Standard	7.25" (184.2mm) SQ
	Flush Mount	6.47" (164.3mm) SQ
Ceiling Cutout	Standard	6.69" (169.9mm) SQ
	Flush Mount	6.88" (174.8mm) SQ
Ceiling Thickness		0.50" to 1.25" (12.7mm to 31.8mm)

LTR-6SQW Lens-H New Construction



Top View



LTR-6SQW Lens-H IC/CP

Dimensional Data		
Aperture		6.00" (152.4mm) SQ
Flange	Standard	7.25" (184.2mm) SQ
	Flush Mount	6.47" (164.3mm) SQ
Ceiling Cutout	Standard	6.69" (169.9mm) SQ
	Flush Mount	6.88" (174.8mm) SQ
Ceiling Thickness		0.50" to 1.25" (12.7mm to 31.8mm)

LTR-6SQW Lens SpectraSync

LITEISTRY 6" SQUARE LENSED WALL WASH (LWW)
WITH COLOR TUNING

PHOTOMETRY

LTR-6SQD-H-ML20L-DMT / LTR-6SQW-T-ML2765T9LWWS

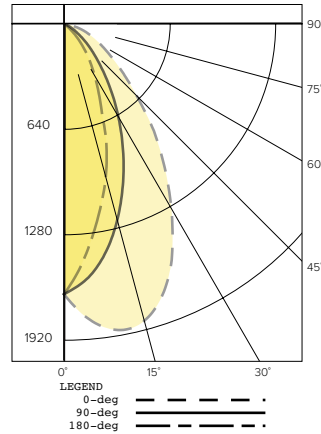
LUMINAIRE DATA

Test No.	R19.01241-11
Description	6" Lensed Wall-Wash; 2000lm 3000K, 90 CRI
Delivered Lumens	1857
Watts	35.3
Efficacy	53 lm/W
Mounting	Recessed

ZONAL LUMEN SUMMARY

Zone	Lumens	% Luminaire
0-40	1377	29.0
0-60	1769	95.3
0-90	1857	100.0
0-180	1857	100.0

POLAR GRAPH



CANDELA DISTRIBUTION

Degree	Candela
0	1655
5	1818
15	1885
25	1565
35	1075
45	637
55	355
65	230
75	51
85	1
90	0

LUMINANCE DATA*

Vertical Angle	Average
45°	38741
55°	26617
65°	19966
75°	13041
85°	450

*Candela/Square Meter

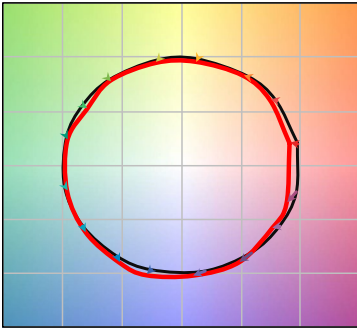
LTR-6SQW Lens SpectraSync

LITEISTRY 6" SQUARE LENSED WALL WASH (LWW)
WITH COLOR TUNING

TM-30 DATA

SPECTRASYNCTM TUNABLE WHITE (2765T)

COLOR VECTOR GRAPHIC
2700K, 90+ CRI

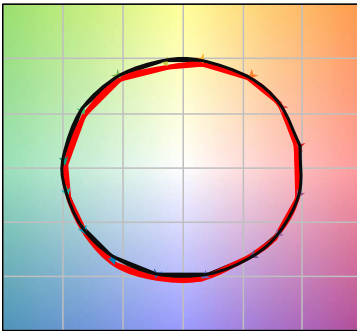


— Reference Illuminant — Test Source

COLOR DISTORTION GRAPHIC
2700K, 90+ CRI



COLOR VECTOR GRAPHIC
4600K, 90+ CRI

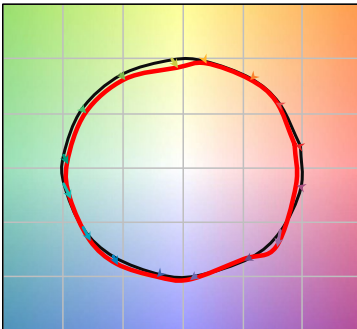


— Reference Illuminant — Test Source

COLOR DISTORTION GRAPHIC
4600K, 90+ CRI



COLOR VECTOR GRAPHIC
6500K, 90+ CRI



— Reference Illuminant — Test Source

COLOR DISTORTION GRAPHIC
6500K, 90+ CRI



TEST RESULTS - TUNABLE WHITE @ 1500 LUMENS (NOMINAL)			
Value	2700K	4600K	6500K
Luminous Flux (lm)	1407	1604	1660
Wattage (W)	23.9	24.3	24.6
Efficacy (lm/W)	59	66	68
R _r	90	89	87
R _g	97	98	96
CCT (K)	2817	4588	6518
D _{uv}	-0.0013	-0.0040	0.0018
x	0.4482	0.3565	0.3131
y	0.4047	0.3531	0.3273
CIE R _a	91	95	94
CIE R _g	47	81	76

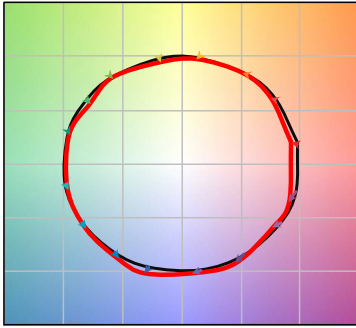
LTR-6SQW Lens SpectraSync

LITEISTRY 6" SQUARE LENSED WALL WASH (LWW)
WITH COLOR TUNING

TM-30 DATA CONTINUED

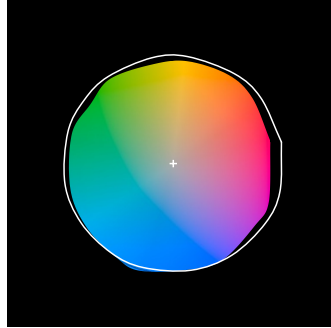
SPECTRASYNCTM DIM TO WARM (2230TD)

COLOR VECTOR GRAPHIC
3000K, 90+ CRI @ 100%

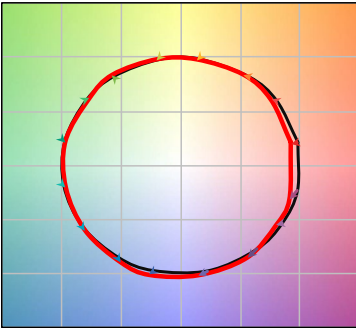


— Reference Illuminant — Test Source

COLOR DISTORTION GRAPHIC
3000K, 90+ CRI @ 100%

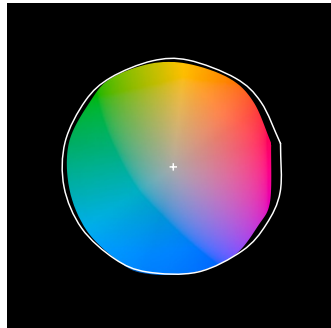


COLOR VECTOR GRAPHIC
2600K, 90 CRI @ 50% DIM

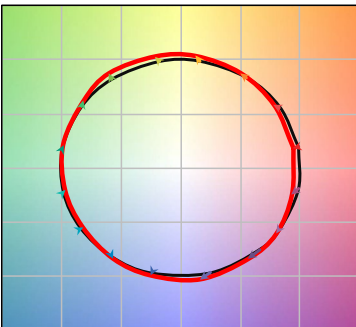


— Reference Illuminant — Test Source

COLOR DISTORTION GRAPHIC
2600K, 90 CRI @ 50% DIM



COLOR VECTOR GRAPHIC
2200K, 90 CRI @ 5% DIM



— Reference Illuminant — Test Source

COLOR DISTORTION GRAPHIC
2200K, 90 CRI @ 5% DIM



TEST RESULTS - DIM TO WARM @ 3 DIMMING LEVELS			
Value	100%	50% Dim	5% Dim
Luminous Flux (lm)	1501	772	53
Wattage (W)	24.3	14	3.4
Efficacy (lm/W)	62	55	16
R _r	90	92	91
R _g	97	99	102
CCT (K)	3123	2590	2282
D _{uv}	-0.0017	-0.0015	-0.0029
x	0.4261	0.4662	0.4907
y	0.3965	0.4082	0.4068
CIE R _a	92	93	93
CIE R _g	53	60	64

LTR-6SQW Lens SpectraSync

LITEISTRY 6" SQUARE LENSED WALL WASH (LWW)
WITH COLOR TUNING

ELECTRICAL DATA

DRIVER DATA	
Input Voltage	120-277V
Input Frequency	50/60 Hz
Power Factor	≥0.90
THD	<20%
EMI Filtering (FCC 47 CFR Part 15)	Class A

ADDITIONAL INFORMATION

Central Inverters

For full fixture output in back-up mode, we recommend you visit currentlighting.com/dual-lite for your Central Lighting Inverter options. Please contact your local Current representative for any assistance with proper sizing and loading of your inverter selection. Central lighting inverters must be ordered separately.

Lumen Output in Emergency Mode

To determine the lumen output in emergency mode multiply the battery pack wattage by the fixture lumens per watt (LPW). For example, 7W x 120 LPW = 840 lumens in emergency mode.