



CUSTOMER NAME \_\_\_\_\_

Project Name \_\_\_\_\_

Date \_\_\_\_\_ Type \_\_\_\_\_

Catalog Number \_\_\_\_\_

## LTC Series

### LED Track Light

Lumination® **LTC Series** LED Track Lights are designed for retail, restaurant, and office applications to deliver superior light where a smaller, less obtrusive fixture is required. Die-cast precision machined housings create a solid, quality product that delights contractors and designers alike. Place the LTC in any setting with field changeable optics, optional accessories and multiple beam angles and colors.

## ProLine®

### CONSTRUCTION

|                          |  |
|--------------------------|--|
| <b>Housing:</b>          | Die-cast and precision machined head                                   |
| <b>Lens:</b>             | Precision designed reflectors and diffusers for optimal efficiency     |
| <b>Paint:</b>            | Textured powder coat finish  |
| <b>Weight:</b>           | LTC Fixture @ 1 lb. for 9.3W and 13.5W,<br>LTC Fixture @ 3 lb. for 20W |
| <b>Optical Assembly:</b> |  |

### OPTICAL SYSTEM

|                      |   |
|----------------------|---|
| <b>Lumens:</b>       | Up to 1850 lm   |
| <b>Distribution:</b> | Spot (12"), Narrow Flood (17"), Flood (25"), Wide Flood (38") |
| <b>Wattage:</b>      | Up to 20.6W   |
| <b>Efficacy:</b>     | Up to 92.5 LPW  |
| <b>CCT:</b>          | 2700K, 3000K, 3500K and 4000K                                 |
| <b>CRI:</b>          | 90 CRI  |

### ELECTRICAL

|  |               |
|--|---------------|
| <b>Input Voltage:</b>                    | 120V          |
| <b>Input Frequency:</b>                  | 50/60Hz       |
| <b>Standard Dimming Control</b>          | Phase Dimming |
| <b>Power Factor (PF)*:</b>               | >0.9          |
| <b>Total Harmonic Distortion (THD)*:</b> |               |

\* PF and THD may vary with options

### CONTROLS

**Dimming:** Triac & ELV (Forward & Reverse Phase) dimming standard, down to 10%

### LUMEN AMBIENT TEMPERATURE

| TYPE                         | TEMPERATURE RATE                  |
|------------------------------|-----------------------------------|
| <b>OPERATING TEMPERATURE</b> | -20°C to +35°C (-4°F to +95° F)   |
| <b>STORAGE TEMPERATURE</b>   | -40°C to +70°C (-40°F to +158° F) |

### LUMEN MAINTENANCE

|                         |           |
|-------------------------|-----------|
| <b>LXX(10K) @ Hours</b> | 50,000 HR |
| <b>L85</b>              |           |

### ADDITIONAL FEATURES

- Track adapters easily twist into track systems for quick installation.
- Compatible with several brands of track systems

### DESIGN LIFE & WARRANTY

- **Current's Limited 5-year Warranty:** Please refer to document [IND599](#) for more information.

CUSTOMER NAME

Project Name \_\_\_\_\_

Date \_\_\_\_\_ Type \_\_\_\_\_

Catalog Number \_\_\_\_\_

Ordering Information:

LTC ID A 1 9 P Q

| FAMILY | FIXTURE TYPE           | GENERATION                     | VOLTAGE  | NOMINAL LUMENS                           | DISTRIBUTION  | CRI/CCT  | CCT  | DIMMING           | CONTROLS | MOUNTING  | FINISH                        | OPTIONS   |
|--------|------------------------|--------------------------------|----------|--|---|----------|--|-------------------|----------|---|-------------------------------|---|
| LTC    | ID = Integrated Driver | A = 1 <sup>st</sup> Generation | 1 = 120V | 06 = 600lm<br>10 = 916lm                 | SP = Spot- 12°<br>FL = Flood- 25°<br>WF = Wide Flood- 38°         | 9=90 CRI | 27 = 2700K<br>30 = 3000K<br>35 = 2500K<br>40 = 4000K | P = Phase Dimming | Q = None | J1 = Juno 1&2 circuits (compatible with Contech)<br>G1 = Global Ecosystem (GES) 1&2 Circuits<br>L2 = Lightolier Lytespan 1&2 Circuits | WHITE = White<br>BLCK = Black | (Blank) = None<br>HX <sup>1,2</sup> = Hexcel<br>SN <sup>1,2</sup> = Snoot |
|        |                        |                                |          | 08 = 750lm<br>11 = 1100lm<br>18 = 1850lm | NF = Narrow Flood- 17°<br>FL = Flood- 25°<br>WF = Wide Flood- 38° |          |  |                   |          |   |                               |   |

ORDERING NOTES:

- HX and SN cannot both be selected.
- HX and SN only available up to 1100lm (lumen code 11)

CLAIMS AT 90CRI

| LUMEN CODE   | CCT  | LUMENS | WATTS | LPW |
|--|------|--------|-------|-----|
| 06*<br><small>*80CRI Lumen Multiplier 1.17</small> | 2700 | 540    | 9.3   | 58  |
|  | 3000 | 570    | 9.3   | 61  |
|  | 4000 | 600    | 9.3   | 65  |
| 10   | 2700 | 870    | 13.5  | 64  |
|  | 3000 | 916    | 13.5  | 68  |
|  | 4000 | 940    | 13.5  | 70  |

| LUMEN CODE | CCT  | LUMENS | WATTS | LPW |
|------------|------|--------|-------|-----|
| 08         | 2700 | 710    | 9.3   | 76  |
|            | 3000 | 750    | 9.3   | 81  |
|            | 4000 | 790    | 9.3   | 85  |
| 10         | 2700 | 1054   | 13.5  | 78  |
|            | 3000 | 1110   | 13.5  | 82  |
|            | 4000 | 1139   | 13.5  | 84  |
| 18         | 2700 | 1550   | 20.6  | 75  |
|            | 3000 | 1850   | 20.6  | 90  |
|            | 4000 | 1900   | 20.6  | 92  |

NOTE: 3500K same performance as 3000K

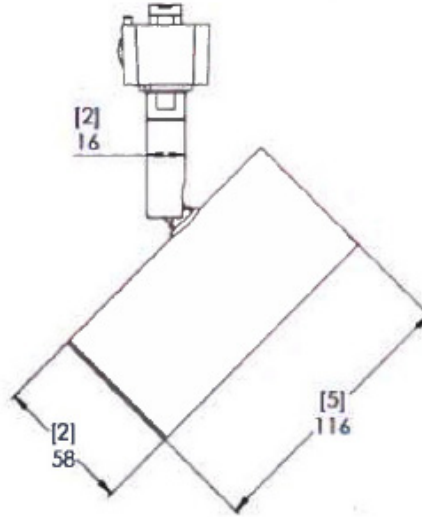
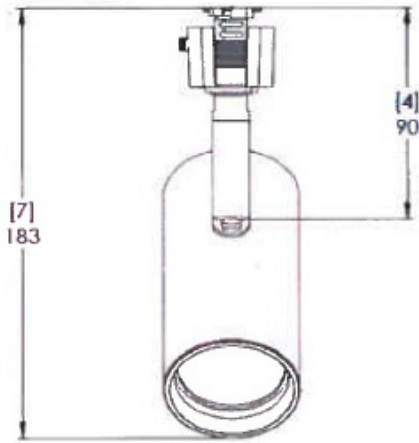
LTC ACCESSORIES

| SKU      | CAT LOGIC   | DESCRIPTION       |
|----------|-------------|-------------------|
| 93042889 | LTC SNWHITE | LTC WHITE SNOOT   |
| 93042890 | LTC SNBLCK  | LTC BLACK SNOOT   |
| 93043839 | LTCHX       | LTC HEXCEL LOUVER |

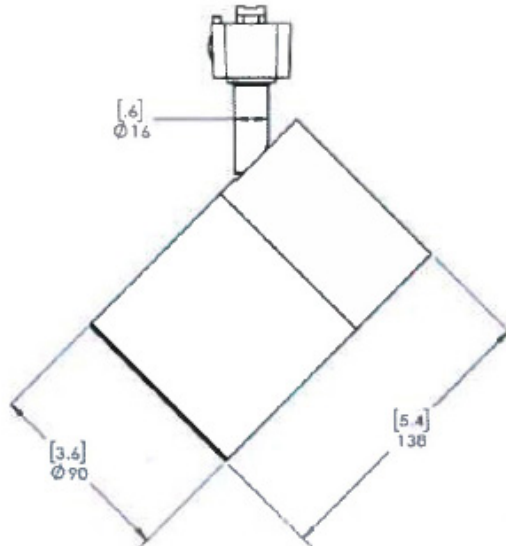
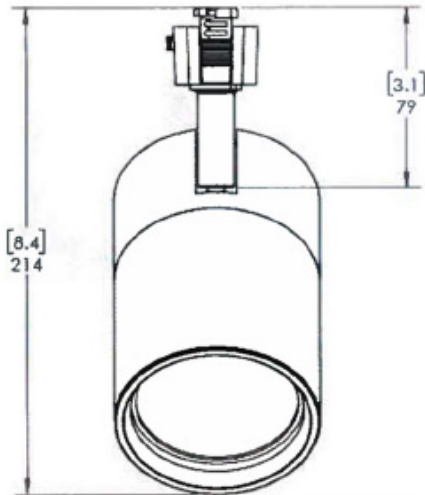
NOTE: Only available up to 1100lm (lumen code 11)

**LTC SERIES DIMENSIONS**

**LTCIDA106 / LTCIDA108 / LTCIDA110 / LTCIDA111**



**LTCIDA118**



**COMPATIBLE DIMMERS & FIELD CHANGEABLE OPTICS: LTC SERIES**

| COMPATIBLE PHASE-CUT DIMMERS<br>10%-100% DIMMING RANGE |                  |
|--|------------------|
| DIMMER BRAND   | DIMMER MODEL     |
| LEVITON  | 6673-10 W        |
|  | IP106-1LW        |
|  | RP106-1LW        |
|  | 81000-W          |
|  | 6621-W           |
|  | 6641-W           |
|  | VP106-1LX        |
|  | 6682             |
|  | VPM06-1LX        |
|  | 6633-PLW         |
| LUTRON   | S-603PGH-WH-C    |
|  | LX-600PL         |
|  | TG-600PNLH-WHCSA |
|  | S-603PGH-WH-CSA  |
|  | DNG-600PH-IV-CSA |
|  | DVCL-153P        |
|  | DV-600PH-WH-CSA  |
| SLV-600PH-WH-CSA                                       |                  |
| COOPER   | OS106D1          |
|  | D106P-BK-K       |
|  | SI061-A-K        |
|  | TI061-W-K        |
|  | RI-06P-VW-K2     |
| ACENTI   | 9530-PT (Rev A)  |
| UBERHAUS   | EP-003-ATI06-22A |
|  | 46355006         |



**NOTE:** The dimming range will be dependent on each specific dimmer

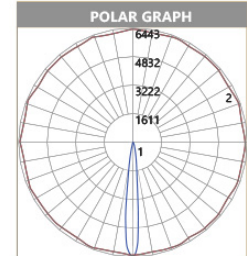
**FIELD INSTALLABLE OPTICAL ACCESSORIES**

| PRODUCT DESCRIPTION         | QUANTITY | MATERIAL DESCRIPTION             | SKU      | DISTRIBUTION |
|-----------------------------|----------|----------------------------------|----------|--------------|
| LTC 06/10 SPOT LENS BLACK   | 10       | AK-LTC-GEN1-LE-XX-X0-BLCK-SP-10  | 93096137 | SPOT         |
| LTC 06/10 FLOOD LENS BLACK  | 10       | AK-LTC-GEN1-LE-XX-X0-BLCK-FL-10  | 93096138 | FLOOD        |
| LTC 06/10 WIDE LENS BLACK   | 10       | AK-LTC-GEN1-LE-XX-X0-BLCK-WF-10  | 93096139 | WIDE FLOOD   |
| LTC 06/10 SPOT LENS WHITE   | 10       | AK-LTC-GEN1-LE-XX-X0-WHITE-SP-10 | 93096140 | SPOT         |
| LTC 06/10 FLOOD LENS WHITE  | 10       | AK-LTC-GEN1-LE-XX-X0-WHITE-FL-10 | 93096141 | FLOOD        |
| LTC 06/10 WIDE LENS WHITE   | 10       | AK-LTC-GEN1-LE-XX-X0-WHITE-WF-10 | 93096142 | WIDE FLOOD   |
| LTC 08/11 NARROW LENS BLACK | 10       | AK-LTC-GEN2-LE-XX-X0-BLCK-NF-10  | 93096143 | NARROW FLOOD |
| LTC 08/11 FLOOD LENS BLACK  | 10       | AK-LTC-GEN2-LE-XX-X0-BLCK-FL-10  | 93096144 | FLOOD        |
| LTC 08/11 WIDE LENS BLACK   | 10       | AK-LTC-GEN2-LE-XX-X0-BLCK-WF-10  | 93096145 | WIDE FLOOD   |
| LTC 08/11 NARROW LENS WHITE | 10       | AK-LTC-GEN2-LE-XX-X0-WHITE-NF-10 | 93096146 | NARROW FLOOD |
| LTC 08/11 FLOOD LENS WHITE  | 10       | AK-LTC-GEN2-LE-XX-X0-WHITE-FL-10 | 93096147 | FLOOD        |
| LTC 08/11 WIDE LENS WHITE   | 10       | AK-LTC-GEN2-LE-XX-X0-WHITE-WF-10 | 93096148 | WIDE FLOOD   |
| LTC 08/11 TESTER            | 10       | AK-LTC-GEN1-LE-XX-X0-XXXX-TESTER | 93096149 | MISC         |
| LTC 08/11 TESTER            | 10       | AK-LTC-GEN2-LE-XX-X0-XXXX-TESTER | 93096150 | MISC         |

**LTCIDA106SP940PQXX**

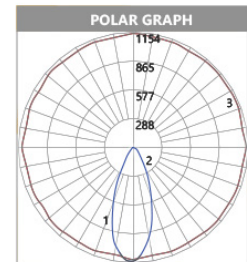
| ZONAL LUMEN SUMMARY |        |           |              |
|---------------------|--------|-----------|--------------|
| ZONE                | LUMENS | % OF LAMP | % OF FIXTURE |
| 0-20                | 397.63 | N.A.      | 66.3         |
| 0-30                | 463.96 | N.A.      | 77.3         |
| 0-40                | 512.5  | N.A.      | 85.4         |
| 0-60                | 574.91 | N.A.      | 95.8         |
| 0-80                | 596.2  | N.A.      | 99.4         |
| 0-90                | 598.38 | N.A.      | 99.7         |

| LUMINANCE DATA (CD/SQ.M) |       |       |       |
|--------------------------|-------|-------|-------|
| ANGLE IN DEGREES         | 0°    | 45°   | 90°   |
| 45°                      | 18212 | 18022 | 17946 |
| 55°                      | 12140 | 12046 | 12093 |
| 65°                      | 7443  | 7316  | 7443  |
| 75°                      | 7791  | 7687  | 7791  |
| 85°                      | 4935  | 4427  | 4319  |


**Total Luminaire Efficiency = N.A.%**
**LTCIDA106WF940PQXX**

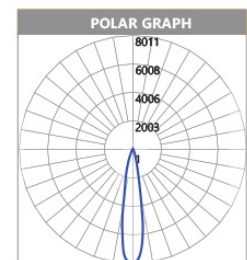
| ZONAL LUMEN SUMMARY |        |           |              |
|---------------------|--------|-----------|--------------|
| ZONE                | LUMENS | % OF LAMP | % OF FIXTURE |
| 0-20                | 309.71 | N.A.      | 51.6         |
| 0-30                | 476.55 | N.A.      | 79.4         |
| 0-40                | 549.39 | N.A.      | 91.6         |
| 0-60                | 589.84 | N.A.      | 98.3         |
| 0-80                | 598.38 | N.A.      | 99.7         |
| 0-90                | 598.83 | N.A.      | 99.8         |

| LUMINANCE DATA (CD/SQ.M) |       |       |       |
|--------------------------|-------|-------|-------|
| ANGLE IN DEGREES         | 0°    | 45°   | 90°   |
| 45°                      | 11748 | 12129 | 12661 |
| 55°                      | 5437  | 5484  | 5578  |
| 65°                      | 3181  | 3181  | 3117  |
| 75°                      | 2908  | 2805  | 2701  |
| 85°                      | 617   | 617   | 617   |


**Total Luminaire Efficiency = N.A.%**
**LTCIDA118FL940PQXX**

| ZONAL LUMEN SUMMARY |         |           |              |
|---------------------|---------|-----------|--------------|
| ZONE                | LUMENS  | % OF LAMP | % OF FIXTURE |
| 0-20                | 1377.16 | N.A.      | 72.50        |
| 0-30                | 1649.66 | N.A.      | 86.80        |
| 0-40                | 1759.85 | N.A.      | 92.60        |
| 0-60                | 1862.44 | N.A.      | 98.00        |
| 0-80                | 1897.69 | N.A.      | 99.90        |
| 0-90                | 1900.38 | N.A.      | 100.00       |

| LUMINANCE DATA (CD/SQ.M) |       |       |       |
|--------------------------|-------|-------|-------|
| ANGLE IN DEGREES         | 0°    | 45°   | 90°   |
| 45°                      | 29314 | 28903 | 28078 |
| 55°                      | 20361 | 20361 | 19850 |
| 65°                      | 17271 | 16578 | 16578 |
| 75°                      | 10148 | 10148 | 9016  |
| 85°                      | 10025 | 10025 | 6694  |


**Total Luminaire Efficiency = N.A.%**

**CUSTOMER NAME**

Project Name \_\_\_\_\_

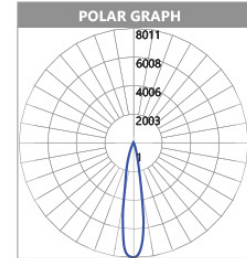
Date \_\_\_\_\_ Type \_\_\_\_\_

Catalog Number \_\_\_\_\_

**LTCIDA118FL940XX**

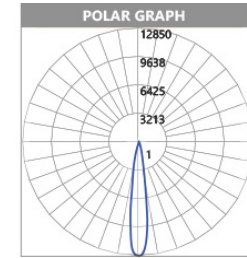
| ZONAL LUMEN SUMMARY |         |           |              |
|---------------------|---------|-----------|--------------|
| ZONE                | LUMENS  | % OF LAMP | % OF FIXTURE |
| 0-20                | 1377.16 | N.A.      | 72.50        |
| 0-30                | 1649.66 | N.A.      | 86.80        |
| 0-40                | 1759.85 | N.A.      | 92.60        |
| 0-60                | 1862.44 | N.A.      | 98.00        |
| 0-80                | 1879.69 | N.A.      | 99.90        |
| 0-90                | 1900.38 | N.A.      | 100.00       |

| LUMINANCE DATA (CD/SQ.M) |       |       |       |
|--------------------------|-------|-------|-------|
| ANGLE IN DEGREES         | 0°    | 45°   | 90°   |
| 45°                      | 29314 | 28903 | 28078 |
| 55°                      | 20361 | 20361 | 19850 |
| 65°                      | 17271 | 16578 | 16578 |
| 75°                      | 10148 | 10148 | 9016  |
| 85°                      | 10025 | 10025 | 6694  |


**Total Luminaire Efficiency = N.A.%**
**LTCIDA118NF940XX**

| ZONAL LUMEN SUMMARY |         |           |              |
|---------------------|---------|-----------|--------------|
| ZONE                | LUMENS  | % OF LAMP | % OF FIXTURE |
| 0-20                | 1448.19 | N.A.      | 76.20        |
| 0-30                | 1617.07 | N.A.      | 85.10        |
| 0-40                | 1712.45 | N.A.      | 90.01        |
| 0-60                | 1842.97 | N.A.      | 97.00        |
| 0-80                | 1896.67 | N.A.      | 99.80        |
| 0-90                | 1900.54 | N.A.      | 100.00       |

| LUMINANCE DATA (CD/SQ.M) |       |       |       |
|--------------------------|-------|-------|-------|
| ANGLE IN DEGREES         | 0°    | 45°   | 90°   |
| 45°                      | 34454 | 37070 | 37070 |
| 55°                      | 30110 | 31184 | 30110 |
| 65°                      | 24078 | 24078 | 22621 |
| 75°                      | 16682 | 15488 | 14293 |
| 85°                      | 10611 | 10611 | 10611 |


**Total Luminaire Efficiency = N.A.%**
**ProLine®**

 Every contractor deserves a  
 Fast, Reliable, and Trusted Lighting Partner

**For Product or Technical Questions:**

 Email: [lightingproinfo@gecurrent.com](mailto:lightingproinfo@gecurrent.com)

Phone: +1 888 694 3533, option 2