



## TELA Series

### High Lumen Track Light

Tela track lights are designed to deliver high efficiency lumens and beam intensity without compromising an attractive aesthetic. Die-cast and precision machined housings provide premium fit and finish while field-installable accessories such as snoots, hexcel louvers and barn doors provide premium quality of light. Tela is an ideal replacement for metal halide accent lights, offering exceptional energy savings and long life of LED.

### CONSTRUCTION

<b>Housing:</b>	Die-cast and precision machined head
<b>Paint:</b>	Textured powder coat finish
<b>Weight:</b>	1 - 3.7 lbs (0.5-1.7 kg)
<b>Optical Assembly:</b>	Precision designed reflectors and diffusers for optimal efficiency

### CONTROLS

**Dimming:** Triac & ELV (Forward & Reverse Phase) dimming standard

### PERFORMANCE

<b>Lumens:</b>	1000lm, 2300lm, 3600lm
<b>Distribution:</b>	Narrow Flood, Flood, Wide Flood
<b>Wattage:</b>	13.1-41 Watts
<b>Efficacy:</b>	Up to 95 LPW
<b>CCT:</b>	3000K/3500K/4000K
<b>CRI:</b>	90 CRI
<b>CBCP:</b>	Up to 29,000 cd

### LUMEN AMBIENT TEMPERATURE

TYPE	TEMPERATURE RATE
<b>OPERATING TEMPERATURE</b>	-20°C to +35°C (-4°F to +95°F)
<b>STORAGE TEMPERATURE</b>	-40°C to +70°C (-40°F to +158°F)

### ELECTRICAL

<b>Input Voltage:</b>	120V
<b>Input Frequency:</b>	50/60 Hz
<b>Power Factor (PF)*:</b>	>0.9
<b>Total Harmonic Distortion (THD)*:</b>	<20%

\* PF and THD may vary with options

### LUMEN MAINTENANCE

<b>LXX(10K) @ HOURS</b>
50,000 HR
<b>L85</b>

### MOUNTING

- Complete with hanging system for new and retrofit installation
- Dry location only
- Compatible with several brands of track systems.

### DESIGN LIFE & WARRANTY

- Current's Limited 5-year Warranty: Please see website.

**Ordering Information :**

**LHM ID A 1 10 9 P Q**

Product ID	FIXTURE TYPE	GENERATION	VOLTAGE	NOMINAL LUMENS	DISTRIBUTION	CRI	CCT	DIMMING	CONTROLS	MOUNTING	FINISH
LHM = Indoor Mini	ID = Integrated Driver	A = 1 <sup>st</sup> Generation	1 = 120V	10 = 1000 Lumens	NF = Narrow Flood 24° FL = Flood 36° WF = Wide Flood 43°	9 = 90 CRI	30 = 3000K 35 = 3500K 40 = 4000K	P = Phase Dimming	Q = None	J1 = Juno 1&2 circuit (compatible with Contech) G1 = Global Ecosystem (GES) 1&2 circuits L2 = Lightolier Lytespan 1&2 circuits	WHITE = White BLCK = Black

**LHS ID A 1 23 9 P Q**

Product ID	FIXTURE TYPE	GENERATION	VOLTAGE	NOMINAL LUMENS	DISTRIBUTION	CRI	CCT	DIMMING	CONTROLS	MOUNTING	FINISH
LHS = Indoor Standard	ID = Integrated Driver	A = 1 <sup>st</sup> Generation	1 = 120V	23 = 2300 Lumens	NF = Narrow Flood 19° FL = Flood 34° WF = Wide Flood 41°	9 = 90 CRI	30 = 3000K 35 = 3500K 40 = 4000K	P = Phase Dimming	Q = None	J1 = Juno 1&2 circuit (compatible with Contech) G1 = Global Ecosystem (GES) 1&2 circuits L2 = Lightolier Lytespan 1&2 circuits	WHITE = White BLCK = Black

**LHL ID A 1 36 9 P Q**

Product ID	FIXTURE TYPE	GENERATION	VOLTAGE	NOMINAL LUMENS	DISTRIBUTION	CRI	CCT	DIMMING	CONTROLS	MOUNTING	FINISH
LHL = Indoor Large	ID = Integrated Driver	A = 1 <sup>st</sup> Generation	1 = 120V	36 = 3600 Lumens	NF = Narrow Flood 19° FL = Flood 25° WF = Wide Flood 41°	9 = 90 CRI	30 = 3000K 40 = 4000K	P = Phase Dimming	Q = None	J1 = Juno 1&2 circuit (compatible with Contech) G1 = Global Ecosystem (GES) 1&2 circuits L2 = Lightolier Lytespan 1&2 circuits	WHITE = White BLCK = Black

**PERFORMANCE TABLE: LHX SERIES**

FAMILY	CCT (K)	DISTRIBUTION	LUMEN (LM)	WATTAGE	LUMEN PER WATT (LPW)
LHM	3000,3500	(ALL)	1000	13.1	76
	4000	(ALL)	1200	13.1	92
LHS	3000,3500	(ALL)	2200	31	71
	4000	(ALL)	2500	31	81
LHL	3000,3500	NF, FL, WF	3600	41	88
	4000	NF, FL, WF	3900	41	95

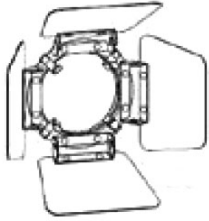
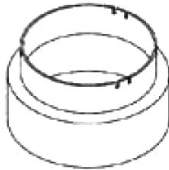
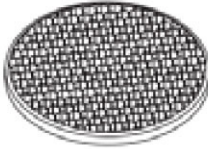
**CUSTOMER NAME**

Project Name \_\_\_\_\_

Date \_\_\_\_\_ Type \_\_\_\_\_

Catalog Number \_\_\_\_\_

**ACCESSORIES: LUMINATION® LHX SERIES**

	MATERIAL	DESCRIPTION CODE	PRODUCT DESCRIPTIONS
  	93047465	LHLBDWHT	LHL WHITE BARN DOOR
	93047706	LHLBDBLCK	LHL BLACK BARN DOOR
	93047125	LHLSNWHTE	LHL WHITE SNOOT
	93047406	LHLSNBLCK	LHL BLACK SNOOT
	93047407	LHLHX	LHL HEXCEL LOUVER
	93047707	LHSBDWHT	LHS WHITE BARN DOOR
	93047708	LHSBDBLCK	LHS BLACK BARN DOOR
	93047408	LHSSNWHTE	LHS WHITE SNOOT
	93047409	LHSSNBLCK	LHS BLACK SNOOT
	93047410	LHSHX	LHS HEXCEL LOUVER
	93047709	LHMBDWHT	LHM WHITE BARN DOOR
	93047710	LHMBDBLCK	LHM BLACK BARN DOOR
	93047411	LHMSNWHTE	LHM WHITE SNOOT
	93047412	LHMSNBLCK	LHM BLACK SNOOT
	93047413	LHMHX	LHM HEXCEL LOUVER

**DRIVER COMPATIBILITY: LHX SERIES**

COMPATIBLE PHASE-CUT DIMMERS 10%-100% DIMMING RANGE	
DIMMER BRAND	DIMMER MODEL
LEVITON	6673-10W
	IPI06-1LW
	RPI06-1LW
	81000-W
	6621-W
	6641-W
	VP106-1LX
	6682
	VPM06-1LX
	6633-PLWV
LUTRON	S-603PGH-WH-C
	LX-600PL
	TG-600PNLH-WHCSA
	S-600H-WH-CSA
	DNG-600PH-IV-CSA
	DVCL-153P
	DV-600PH-WH-CSA
SLV-600PH-WH-CSA	
COOPER	OS106D1
	DI06P-BK-K
	SI061-A-K
	TI061-W-K
	RI-06P-VW-K2
ACENTI	9530-PT (REV. A)
	EP-003-ATI06-22A
UBERAUS	46355006

**NOTE:** The dimming range will be dependent on each specific dimmer.

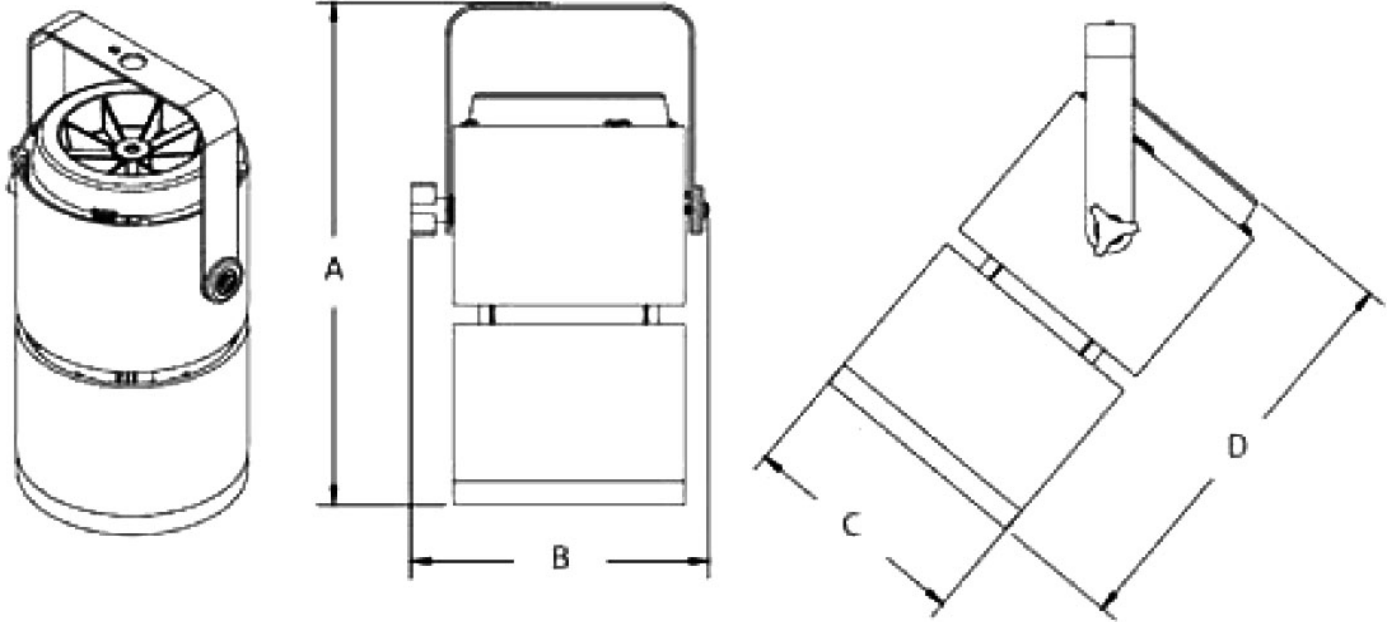
**CUSTOMER NAME**

Project Name \_\_\_\_\_

Date \_\_\_\_\_ Type \_\_\_\_\_

Catalog Number \_\_\_\_\_

**PRODUCT DIMENSIONS MM (INCHES):**



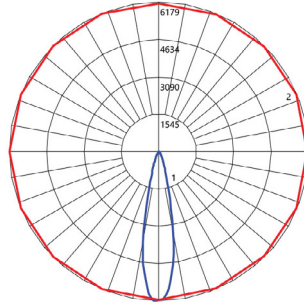
	A	B	C	D
<b>LHL</b>	269mm/10.6"	157mm/6.2"	122mm/4.8"	220mm/8.7"
<b>LHS</b>	209mm/8.2"	124mm/4.9"	92mm/3.5"	182mm/7.2"
<b>LHM</b>	160mm/6.3"	90mm/3.5"	71mm/2.8"	137mm/5.4"

### PHOTOMETRIC DATA: LHM SERIES

**LHM Series**

**1200 Lumens**

LHM-ID-A-1-10-WF-9-40-P-Q-XX-XXXX



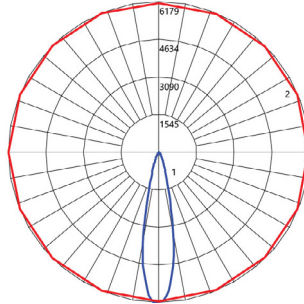
ZONE	LUMENS
0-10	466.10
10-20	445.93
20-30	172.00
30-40	59.97
40-50	26.86
50-60	15.26
60-70	7.09
70-80	3.51
80-90	0.68
90-100	0.00
100-110	0.00
110-120	0.00
120-130	0.01
130-140	0.09
140-150	0.26
150-160	0.77
160-170	1.03
170-180	0.44

ZONE	LUMENS	% OF FIXTURE
0-20	912.02	76.00
0-30	1084.02	90.30
0-40	1144.00	95.30
0-60	1186.11	98.80
0-80	1196.71	99.70
0-90	1197.39	99.80
10-90	731.29	60.90
20-40	231.97	19.30
20-50	258.83	21.60
40-70	49.20	4.10
60-80	10.60	0.90
70-80	3.51	0.30
80-90	0.68	0.10
90-110	0.00	0.00
90-120	0.00	0.00
90-130	0.01	0.00
90-150	0.36	0.00
90-180	2.60	0.20
110-180	2.60	0.20
0-180	1199.99	100.00

**LHM Series**

**1200 Lumens**

LHM-ID-A-1-10-NF-9-40-P-Q-XX-XXXX



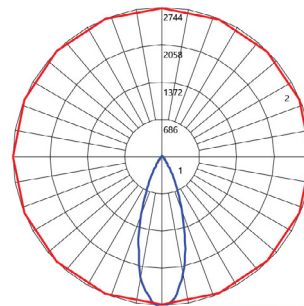
ZONE	LUMENS
0-10	466.09
10-20	445.92
20-30	172.00
30-40	59.97
40-50	26.86
50-60	15.26
60-70	7.09
70-80	3.51
80-90	0.68
90-100	0.00
100-110	0.00
110-120	0.00
120-130	0.01
130-140	0.09
140-150	0.26
150-160	0.77
160-170	1.03
170-180	0.44

ZONE	LUMENS	% OF FIXTURE
0-20	912.01	76.00
0-30	1084.00	90.30
0-40	1144.98	95.30
0-60	1186.10	98.80
0-80	1196.70	99.70
0-90	1197.37	99.80
10-90	731.29	60.90
20-40	231.97	19.30
20-50	258.83	21.60
40-70	49.20	4.10
60-80	10.60	0.90
70-80	3.51	0.30
80-90	0.68	0.10
90-110	0.00	0.00
90-120	0.00	0.00
90-130	0.01	0.00
90-150	0.36	0.00
90-180	2.60	0.20
110-180	2.60	0.20
0-180	1199.99	100.00

**LHM Series**

**1200 Lumens**

LHM-ID-A-1-10-FL-9-40-P-Q-XX-XXXX



ZONE	LUMENS
0-10	237.09
10-20	452.91
20-30	302.78
30-40	117.37
40-50	46.89
50-60	22.54
60-70	10.90
70-80	6.15
80-90	0.94
90-100	0.00
100-110	0.00
110-120	0.00
120-130	0.02
130-140	0.12
140-150	0.40
150-160	0.75
160-170	0.76
170-180	0.33

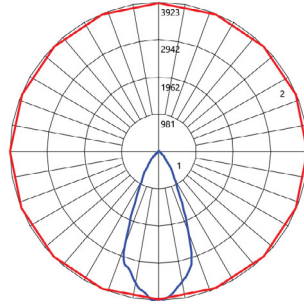
ZONE	LUMENS	% OF FIXTURE
0-20	690.01	57.50
0-30	992.79	82.70
0-40	1110.16	92.50
0-60	1179.59	98.30
0-80	1196.64	99.70
0-90	1197.58	99.80
10-90	960.48	80.00
20-40	420.15	35.00
20-50	467.04	38.90
40-70	80.33	6.70
60-80	17.05	1.40
70-80	6.15	0.50
80-90	0.94	0.10
90-110	0.00	0.00
90-120	0.00	0.00
90-130	0.03	0.00
90-150	0.55	0.00
90-180	2.39	0.20
110-180	2.39	0.20
0-180	1199.97	100.00

### PHOTOMETRIC DATA: LHS SERIES

**LHS Series**

**2500 Lumens**

L-HS-ID-A-1-23-WF-9-40-P-Q-XX-XXXX



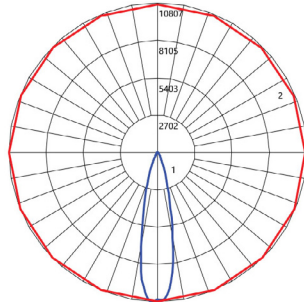
ZONE	LUMENS
0-10	352.50
10-20	873.51
20-30	676.73
30-40	363.88
40-50	155.68
50-60	45.93
60-70	16.34
70-80	8.85
80-90	1.45
90-100	0.09
100-110	0.10
110-120	0.10
120-130	0.13
130-140	0.32
140-150	0.91
150-160	1.47
160-170	1.38
170-180	0.58

ZONE	LUMENS	% OF FIXTURE
0-20	1226.00	49.00
0-30	1902.73	76.10
0-40	2266.61	90.70
0-60	2468.22	98.70
0-80	2493.42	99.70
0-90	2494.86	99.80
10-90	2142.37	85.70
20-40	1040.61	41.60
20-50	1196.29	47.90
40-70	217.95	8.70
60-80	25.19	1.00
70-80	8.85	0.40
80-90	1.45	0.10
90-110	0.20	0.00
90-120	0.30	0.00
90-130	0.43	0.00
90-150	1.66	0.10
90-180	5.09	0.20
110-180	4.89	0.20
0-180	2499.95	100.00

**LHS Series**

**2500 Lumens**

L-HS-ID-A-1-23-NF-9-40-P-Q-XX-XXXX



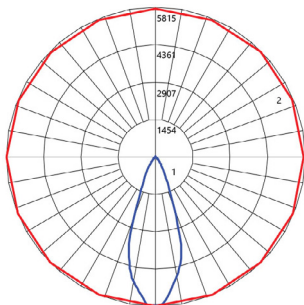
ZONE	LUMENS
0-10	853.21
10-20	954.36
20-30	378.22
30-40	157.36
40-50	84.07
50-60	45.32
60-70	14.66
70-80	6.64
80-90	1.12
90-100	0.01
100-110	0.01
110-120	0.01
120-130	0.01
130-140	0.08
140-150	0.52
150-160	1.55
160-170	1.99
170-180	0.85

ZONE	LUMENS	% OF FIXTURE
0-20	1807.57	72.30
0-30	2185.79	87.40
0-40	2343.14	93.70
0-60	2472.54	98.90
0-80	2493.84	99.80
0-90	2494.96	99.80
10-90	1641.75	65.70
20-40	535.58	21.40
20-50	619.65	24.80
40-70	144.06	5.80
60-80	21.30	0.90
70-80	6.64	0.30
80-90	1.12	0.00
90-110	0.01	0.00
90-120	0.02	0.00
90-130	0.03	0.00
90-150	0.64	0.00
90-180	5.02	0.20
110-180	5.00	0.20
0-180	2499.98	100.00

**LHS Series**

**2500 Lumens**

L-HS-ID-A-1-23-FL-9-40-P-Q-XX-XXXX



ZONE	LUMENS
0-10	502.48
10-20	1042.59
20-30	560.38
30-40	232.51
40-50	94.56
50-60	40.54
60-70	13.63
70-80	6.71
80-90	1.18
90-100	0.06
100-110	0.08
110-120	0.08
120-130	0.11
130-140	0.23
140-150	0.81
150-160	1.60
160-170	1.68
170-180	0.72

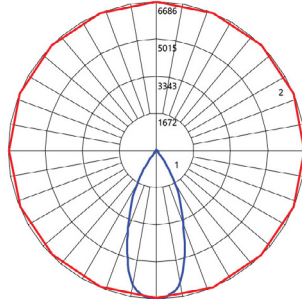
ZONE	LUMENS	% OF FIXTURE
0-20	1545.07	61.80
0-30	2105.45	84.20
0-40	2337.96	93.50
0-60	2473.05	98.90
0-80	2493.39	99.70
0-90	2494.57	99.80
10-90	1992.08	79.70
20-40	792.88	31.70
20-50	887.44	35.50
40-70	148.72	5.90
60-80	20.33	0.80
70-80	6.71	0.30
80-90	1.18	0.00
90-110	0.15	0.00
90-120	0.23	0.00
90-130	0.33	0.00
90-150	1.38	0.10
90-180	5.38	0.20
110-180	5.23	0.20
0-180	2499.98	100.00

### PHOTOMETRIC DATA: LHL SERIES

#### LHL Series

##### 3900 Lumens

L-HL-ID-A-1-36-WF-9-40-P-Q-XX-XXXX



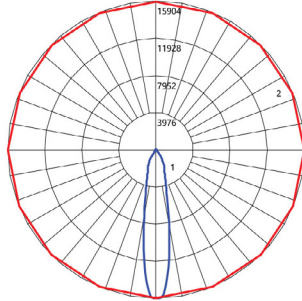
ZONE	LUMENS
0-10	612.87
10-20	1358.10
20-30	1177.87
30-40	502.35
40-50	84.37
50-60	64.06
60-70	46.55
70-80	36.21
80-90	10.05
90-100	0.17
100-110	0.16
110-120	0.15
120-130	0.16
130-140	0.46
140-150	1.32
150-160	2.16
160-170	2.05
170-180	0.85

ZONE	LUMENS	% OF FIXTURE
0-20	1970.97	50.50
0-30	3148.85	80.70
0-40	3651.20	93.60
0-60	3799.63	97.40
0-80	3882.40	99.60
0-90	3892.44	99.80
10-90	3279.57	84.10
20-40	1680.23	43.10
20-50	1764.60	45.20
40-70	194.98	5.00
60-80	82.77	2.10
70-80	36.21	0.90
80-90	10.05	0.30
90-110	0.33	0.00
90-120	0.48	0.00
90-130	0.63	0.00
90-150	2.42	0.10
90-180	7.47	0.20
110-180	7.14	0.20
0-180	3899.91	100.00

#### LHL Series

##### 3900 Lumens

L-HL-ID-A-1-36-NF-9-40-P-Q-XX-XXXX



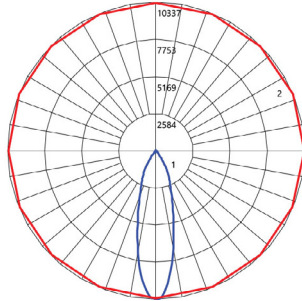
ZONE	LUMENS
0-10	1086.64
10-20	1183.47
20-30	932.64
30-40	414.94
40-50	70.42
50-60	84.20
60-70	61.51
70-80	44.37
80-90	12.50
90-100	0.23
100-110	0.21
110-120	0.20
120-130	0.18
130-140	0.46
140-150	1.26
150-160	2.52
160-170	2.94
170-180	1.21

ZONE	LUMENS	% OF FIXTURE
0-20	2270.11	58.20
0-30	3202.75	82.10
0-40	3617.69	92.80
0-60	3772.31	96.70
0-90	3878.20	99.40
0-90	3890.70	99.80
10-90	2804.06	71.90
20-40	1347.58	34.60
20-50	1417.99	36.40
40-70	216.13	5.50
60-80	105.89	2.70
70-80	44.37	1.10
80-90	12.50	0.30
90-110	0.44	0.00
90-120	0.64	0.00
90-130	0.83	0.00
90-150	2.54	0.10
90-180	9.20	0.20
110-180	8.76	0.20
0-180	3899.90	100.00

#### LHL Series

##### 3900 Lumens

L-HL-ID-A-1-36-FL-9-40-P-Q-XX-XXXX



ZONE	LUMENS
0-10	820.24
10-20	1332.62
20-30	1037.92
30-40	452.23
40-50	76.45
50-60	66.17
60-70	52.54
70-80	39.92
80-90	11.69
90-100	0.58
90-110	0.56
110-120	0.51
120-130	0.49
130-140	0.75
140-150	1.47
150-160	2.34
160-170	2.36
170-180	0.97

ZONE	LUMENS	% OF FIXTURE
0-20	2152.86	55.20
0-30	3190.78	81.60
0-40	3643.01	93.40
0-60	3785.64	97.10
0-80	3878.10	99.40
0-90	3889.79	99.70
10-90	3069.55	78.70
20-40	1490.15	38.20
20-50	1566.61	40.20
40-70	195.17	5.00
60-80	92.46	2.40
70-80	39.92	1.00
80-90	11.69	0.30
90-110	1.14	0.00
90-120	1.65	0.00
90-130	2.14	0.10
90-150	4.36	0.10
90-180	10.03	0.30
110-180	8.89	0.20
0-180	3899.82	100.00

For Additional Information or Product Technical Questions:  
lightingprodinfo@currentlighting.com