

Project Name _____
 Date _____ Type _____
 Catalog Number _____

LBP Series

Back-lit Troffer

The Lumination **Back-Lit Panel (LBP)** features field selectable CCT and lumen outputs to provide maximum flexibility.

CONSTRUCTION

Housing:	Die formed code-gauge steel, Aluminum frame
Lens:	Acrylic
Paint:	Matte white finish
Weight:	<10 lbs
Optical Assembly:	Frosted lens, LED Micro Optics

OPTICAL SYSTEM

Lumens:	2750 - 5700
Wattage:	23W - 45W
Efficacy:	113 - 143 LPW
CCT:	Field Selectable 3500/4000/5000K
CRI:	80

ELECTRICAL

Input Voltage:	120-347 V
Input Frequency:	50/60Hz
Power Factor (PF)*:	>90%*
Total Harmonic Distortion (THD)*:	<20%*
EMI:	FCC CFR Title 47 Part 15, Class A
Surge Protection:	2.5kV driver surge protection
LED Driver Type:	Class 2

* PF and THD may vary with options

CONTROLS

Dimming:	Standard 0-10VDC, 1%
-----------------	----------------------

AMBIENT TEMPERATURE

TYPE	TEMPERATURE RATE
OPERATING TEMPERATURE	-10°C to +40°C (14°F to 104° F)?
STORAGE TEMPERATURE	-40°C to +70°C (-40°F to 158° F)?

LUMEN MAINTENANCE

LXX(10K) @ Hours	60,000 HR
L70	

ADDITIONAL FEATURES

Mounting:

- Integral T-bar clips for secure mounting to grid ceiling
- For surface mount applications use surface mount kit accessories
- For plaster or sheet rock installations, use flange kit accessories
- For cable mount applications use surface mount kit accessory and cable kit accessory

DESIGN LIFE & WARRANTY

- Reliability Testing: Components and/or systems evaluation at extreme conditions and monitored during production.
- Please refer to the DLC QPL website for the latest and most complete information: <http://www.designlights.org/QPL>
- UL 1598 Suitable for Damp Locations
- Adheres to LM79, LM80, and TM21 industry standards for photometrics and lifetime calculations
- ISO Class 4-9 rating for positive and negative pressure clean rooms
- UL sanitation certified to NSF 2 Food Equipment standard for non-food zones
- Current's Limited 5-year Warranty: Please refer to document [IND599](#) for more information.



CUSTOMER NAME

Project Name _____

Date _____ Type _____

Catalog Number _____

Ordering Information

LBP

B

FS

DF34

PRODUCT ID	SIZE	GEN	SELECTABLE	DRIVER	CONTROLS
LBP = Lumination® Back-lit Troffer	14 = 1 x 4 22 = 2 x 2 24 = 2 x 4	B = Generation B	FS =Field Selectable Lumen & CCT	DF34 = 0-10V Dim to Off ¹ , 120-347V	Blank = No Controls (Standard Fixture)

¹ DF - Dim to Dark Standard. See additional detail on page 6

Stocked Options

CATALOG NO.	UPC	DESCRIPTION	Setting	Lumens			Watts			LPW	
				3500K	4000K	5000K	3500K	4000K	5000K	3500K	4000K
LBP14BFSDF34	840141435268	1x4 Back-Lit Troffer; 4400/3300/2750 Switchable Lumens; 3500/4000/5000K Switchable CCT; 80 CRI; 0-10V 1% Dim to Dark; 120-347V	LOW	2856	3012	2957	23	124	131	129	
			MED	3323	3521	3438	27	123	130	127	
			HIGH	4423	4761	4577	39	113	122	117	
LBP22BFSDF34	840141435244	2x2 Back-Lit Troffer; 4400/3300/2750 Switchable Lumens; 3500/4000/5000K Switchable CCT 80 CRI; 0-10V 1% Dim to Dark; 120-347V	LOW	2955	3091	3040	23	128	134	132	
			MED	3437	3616	3542	27	127	134	131	
			HIGH	4593	4897	4714	38	121	129	124	
LBP24BFSDF34	840141435251	2x4 Back-Lit Troffer; 5500/4400/3300 Switchable Lumens; 3500/4000/5000K Switchable CCT 80 CRI; 0-10V 1% Dim to Dark; 120-347V	LOW	3457	3564	3545	25	138	143	142	
			MED	4610	4791	4722	35	132	137	135	
			HIGH	5727	5997	5858	45	127	133	130	

Dimensions and Weights

TYPICAL DIMENSIONS AND WEIGHTS			
	LBP14 (1x4)	LBP22 (2x2)	LBP24 (2x4)
Length	11.9" / 303 mm	23.7" / 603 mm	23.7" / 603 mm
Width	47.8" / 1213 mm	23.7" / 603 mm	47.8" / 1213 mm
Height	2.0" / 50 mm	2.0" / 50 mm	2.0" / 50 mm
Weight*	4.21lbs/1.91kg	4.16lbs/1.89kg	8.05lbs/3.65kg

*Base configurations; options by vary weight

CUSTOMER NAME

Project Name _____

Date _____ Type _____

Catalog Number _____

ACCESSORIES ORDERING GUIDE (ORDER SEPARATELY)

Accessories (Order Separately)	Part #	UPC	Notes & Restrictions
Flange Kits			
<input type="checkbox"/> GESK09	69068	69068	1x4 Single Flange Kit
<input type="checkbox"/> GESK07	67657	67657	2x2 Single Flange Kit
<input type="checkbox"/> GESK11	69523	69523	2x4 Single Flange Kit
Surface Mount Kits			
<input type="checkbox"/> PSMK14	93302543	662055127905	1x4 Shallow Surface Mount Kit, 63mm
<input type="checkbox"/> PSMK22	93302544	662055127912	2x2 Shallow Surface Mount Kit, 63mm
<input type="checkbox"/> PSMK24	93302545	662055127929	2x4 Shallow Surface Mount Kit, 63mm
<input type="checkbox"/> DSMK14	93313908	840141433134	1x4 Deep Surface Mount Kit, 110mm, for use with EMBB.
<input type="checkbox"/> DSMK22	93313898	840141433219	2x2 Deep Surface Mount Kit, 110mm, for use with EMBB
<input type="checkbox"/> DSMK24	93313899	840141433226	2x4 Deep Surface Mount Kit, 110mm, for use with EMBB
Emergency Battery - CBP Gen A EMBB Kits use Emergency Battery. To Determine lumen output in emergency mode, multiply 10w by the fixture lumens per watt (LPW). Ex: 10w x 123 LPW = ~1230 lumens in emergency mode. LBP GEN B fixtures with EMBB option require a remote mounted test switch.			
<input type="checkbox"/> CBP14A EMBB Kit	93308995	662055313940	1x4 CBP Gen A EMBB Field Installable Kit
<input type="checkbox"/> CBP2224A EMBB Kit	93308998	662055313971	2x2 & 2x4 CBP Gen A EMBB Field Installable Kit
Dimming Bypass Module			
<input type="checkbox"/> CBP14A DTS Kit	93308997	662055313964	1x4 CBP Gen A DTS Field Installable Kit
<input type="checkbox"/> CBP2224A DTS Kit	93309000	662055313995	2x2 & 2x4 CBP Gen A DTS Field Installable Kit
Switch Cover			
<input type="checkbox"/> PSC Switch Cover 50PK	93167456	840141413426	CBP Gen A Selectable Driver Switch Cover
Cable Mount ^{1,2}			
<input type="checkbox"/> CFPCM36YSC5F-KIT	93093113	078531133023	36" Cable Mount Kit for 1' or 2' wide Cable Mount fixtures, 5-wire

¹ Cable Mount Kit not available with 347V

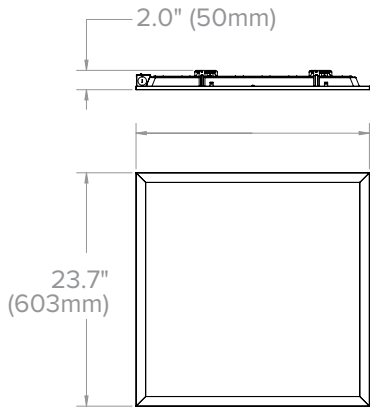
² Surface Mount Kit (PSMK__ or DSMK__) required for Cable Mounting

DLC Listings

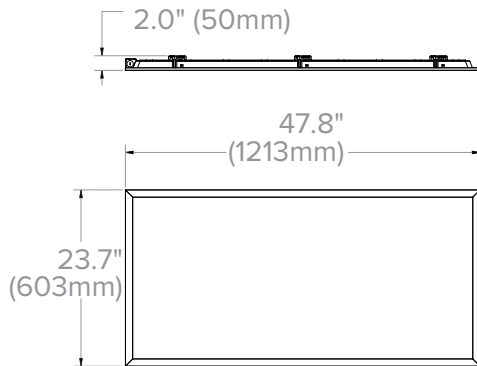
Size	DLC Model #	DLC Product ID #
1x4	LBP14BSFDF34	S-T05RU4
2x2	LBP22BSFDF34	S-UKZV7H
2x4	LBP24BSFDF34	S-1KMC97 S-V7AE45

Product Dimensions

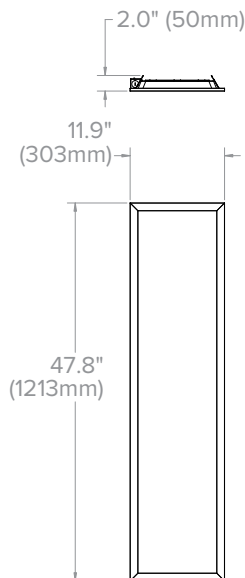
**2x2
example**

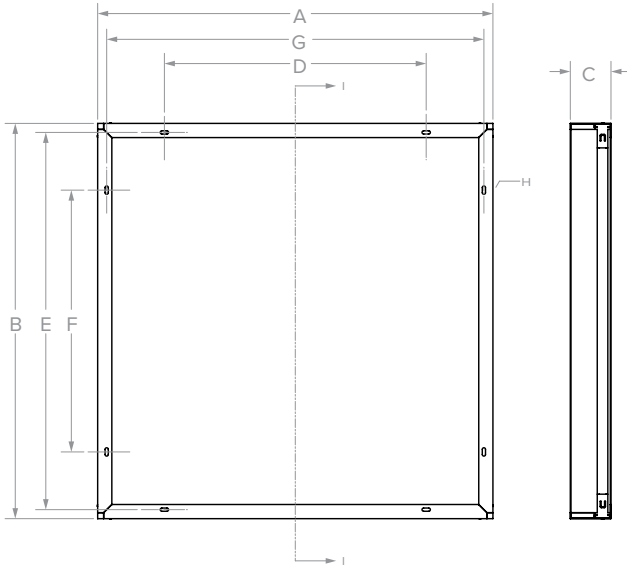


**2x4
example**

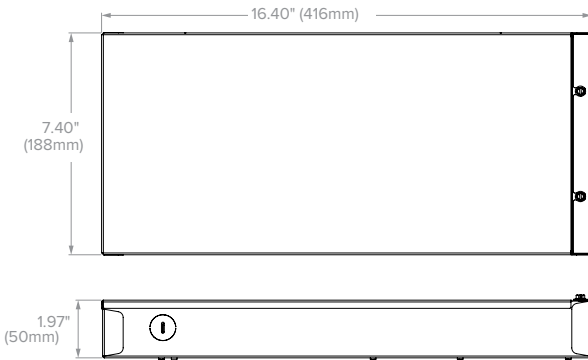
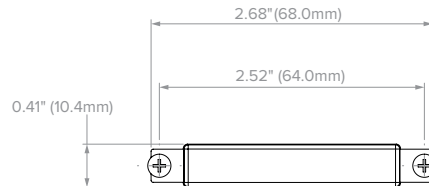


**1x4
example**

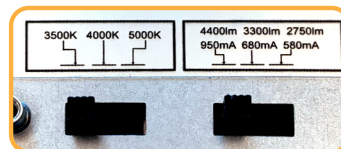


Additional Data
Surface Mount Kit Dimensions - 2x2 example see below chart for all size dimensions


Product Code	Description	A (in)	B (in)	C (in)	D (in)	E (in)	F (in) Between Holes	G (in)
93302543	PSMK-14	12.05	48.0	2.5	-	46.88	16.0 (3 holes)	10.92
93302544	PSMK-22	24.16	24.16	2.5	16.0	23.06	16.0	23.06
93302545	PSMK-24	24.16	48.0	2.5	16.0	46.88	16.0 (3 holes)	23.06
93313908	DSMK14 - 110mm	12.35	48.07	4.34	-	46.91	16.0 (3 holes)	11.14
93313898	DSMK22 - 110mm	24.27	24.27	4.34	16.0	23.06	16.0	23.06
93313899	DSMK24 - 110mm	24.27	48.07	4.34	16.0	46.91	16.0 (3 holes)	23.06

Control Box

PSC Switch Cover

Additional Info
FS Switches Default Settings

Maximum Lumen Output and 3500K CCT



0-10V Dimmer Compatibility

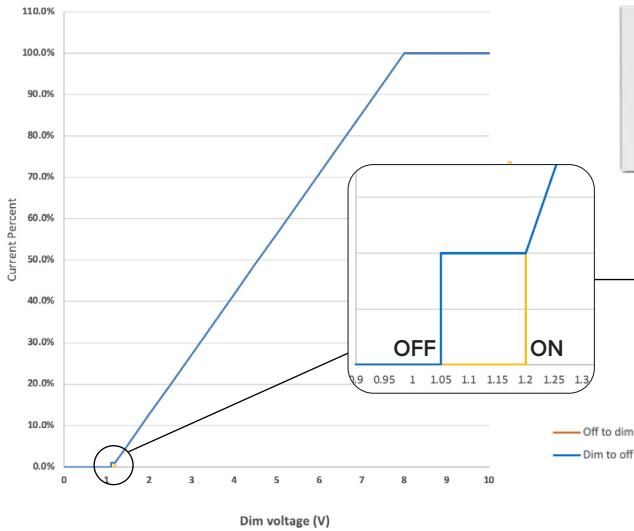
Fixture operates at 120-277V. 0-10V dimmable driver, down to 1%. 1V minimum low-end trim recommended when paired with a 0-10V dimmer. List of suitable dimmers based on laboratory testing. Compatibility must be verified by customer before install. Columbia cannot guarantee dimmer compatibility

* Dimmers require adjusting knobs to change Low End Trim Voltage below 1.05V

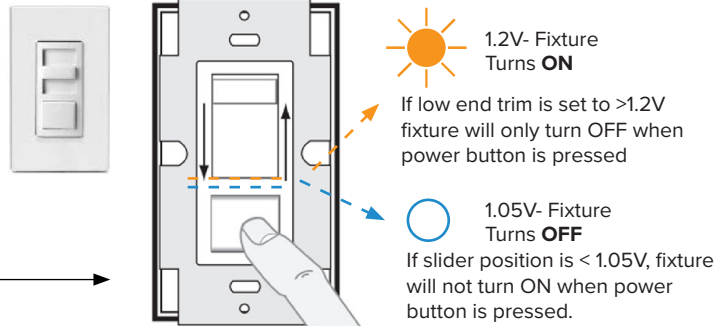
- NX Lighting Controls RSD0108-UNV-XX
- Lutron® Diva DVST*
- LUTRON DVTV*
- LUTRON NTSTV-DV
- Synergy® ISD BC120/277
- Enerlites® 51300L*

ADDITIONAL DIMMING INFORMATION: DIMMING CURVE

0-10V DIMMING CURVE



WALLBOX DIMMER EXAMPLE



DIM TO DARK FUNCTION

Dimmer Low End Trim Settings	ON/OFF Operation		Dimmer Control Range
> 1.2V	ON/OFF Toggle power control only		Full output to Low End Trim Setting
1.05V to 1.2V	ON Adjust dimmer control above 1.2V + Set power control to ON	OFF Set power control to OFF	Full output to Low End Trim Setting
< 1.05V	ON Adjust dimmer control above 1.2V + Set power control to ON	OFF Set power control to OFF OR Adjust dimmer below 1.05V	Full output to OFF