

Project Name _____
 Date _____ Type _____
 Catalog Number _____

LBP Series

Back-lit Troffer

The Lumination **Back-Lit Panel (LBP)** features field selectable CCT and lumen outputs to provide maximum flexibility.

CONSTRUCTION

Housing:	Die formed code-gauge steel , Aluminum frame
Lens:	Acrylic
Paint:	Matte white finish
Weight	<10 lbs
Optical Assembly:	Frosted lens, LED Micro Optics

OPTICAL SYSTEM

Lumens:	2750 - 5700
Wattage:	24w - 48w
Efficacy:	115 -123 LPW
CCT:	Field Selectable 3500/4000/5000K
CRI:	80

ELECTRICAL

Input Voltage:	120-277 V
Input Frequency:	50/60Hz
Power Factor (PF)*:	>90%*
Total Harmonic Distortion (THD)*:	<20%*
EMI:	FCC CFR Title 47 Part 15, Class A
Surge Protection:	2.5kV driver surge protection
LED Driver Type:	Class 2

* PF and THD may vary with options

CONTROLS

Dimming:	Standard 0-10VDC, 1%
Controls/ Sensor:	High-end trim, occupancy and ambient light detection with dimming available. Wireless Daintree® options available.
DLC 5.1	Integrated/ embedded newtorked lighting control,
LLLC:	luminaire- level lighting control (LLLC)

AMBIENT TEMPERATURE

TYPE	TEMPERATURE RATE
OPERATING TEMPERATURE	-10°C to +40°C (14°F to 104° F)?
STORAGE TEMPERATURE	-40°C to +70°C (-40°F to 158° F)?

LUMEN MAINTENANCE

LXX(10K) @ Hours 60,000 HR
L70

ADDITIONAL FEATURES

- **Mounting:**
 - Integral T-bar clips for secure mounting to grid ceiling
 - For surface mount applications use surface mount kit accessories
 - For plaster or sheet rock installations, use flange kit accessories

DESIGN LIFE & WARRANTY

- **Reliability Testing:** Components and/or systems evaluation at extreme conditions and monitored during production.
- Please refer to the DLC QPL website for the latest and most complete information: <http://www.designlights.org/QPL>
- UL 1598 Suitable for Damp Locations
- Adheres to LM79, LM80, and TM21 industry standards for photometrics and lifetime calculations
- ISO Class 4-9 rating for positive and negative pressure clean rooms
- UL sanitation certified to NSF 2 Food Equipment standard for non-food zones
- **Current's Limited 5-year Warranty:**
Please refer to document [IND599](#) for more information.



Ordering Information

PRODUCT ID	SIZE	GEN	SELECTABLE	DRIVER	CONTROLS	OPTIONS
LBP = Lumination® Back-lit Troffer	14 = 1 x 4 22 = 2 x 2 24 = 2 x 4	A = Generation A	FS = Field Selectable Lumen & CCT	DF = 0-10V Dim to Off ¹	Blank = No Controls (Standard Fixture) TT = EZ Connect WIZ20 Wireless Indoor Occupancy & Photocell Sensor ^{2,3}	2PK = 2 Pack ⁴

1 DF - Dim to Dark Standard. See additional detail on page 6

2 **Daintree EZ Connect**; **TT** - Integral WIZ20 Sensor. See additional detail on page 6

3 **All Controls**: TT - Minimum Ambient Temperature: 0°C (32°F)

4 **2PK** - All LBP FS Generation A units are priced as single units and must be ordered as single units in even quantities, as this product is packed two fixtures per box. It should be noted in receiving documents that one box has two units and should be received as two units.

Stocked Options

CATALOG NO.	UPC	DESCRIPTION	SETTING	LUMENS			WATTS	LPW		
				3500K	4000K	5000K		3500K	4000K	5000K
LBP14AFSDF2PK	662050042685	1x4 Back-Lit Troffer; 4400/3300/2750 Switchable Lumens; 3500/4000/5000K Switchable CCT; 80 CRI; 0-10V 1% Dim to Dark; 120-277V	LOW	2750	2850	2800	24	115	119	117
			MED	3300	3400	3350	28	118	121	120
			HIGH	4400	4600	4500	38	116	121	118
LBP22AFSDF2PK	662050042715	2x2 Back-Lit Troffer; 4400/3300/2750 Switchable Lumens; 3500/4000/5000K Switchable CCT 80 CRI; 0-10V 1% Dim to Dark; 120-277V	LOW	2750	2850	2800	24	115	119	117
			MED	3300	3400	3350	28	118	121	120
			HIGH	4400	4600	4500	38	116	121	118
LBP22AFSDFTT2PK	662050042739	2x2 Back-Lit Troffer with Integral Daintree EZ Connect Sensor; 4400/3300/2750 Switchable Lumens; 3500/4000/5000K Switchable CCT 80 CRI; 0-10V 1% Dim to Dark; 120-277V	LOW	2750	2850	2800	24	115	119	117
			MED	3300	3400	3350	28	118	121	120
			HIGH	4400	4600	4500	38	116	121	118
LBP24AFSDF2PK	662050042746	2x4 Back-Lit Troffer; 5500/4400/3300 Switchable Lumens; 3500/4000/5000K Switchable CCT 80 CRI; 0-10V 1% Dim to Dark; 120-277V	LOW	3300	3450	3400	28	118	123	121
			MED	4400	4600	4500	38	116	121	118
			HIGH	5500	5800	5700	48	115	121	119
LBP24AFSDFTT2PK	662050042753	2x4 Back-Lit Troffer with Integral Daintree EZ Connect Sensor; 5500/4400/3300 Switchable Lumens; 3500/4000/5000K Switchable CCT 80 CRI; 0-10V 1% Dim to Dark; 120-277V	LOW	3300	3450	3400	28	118	123	121
			MED	4400	4600	4500	38	116	121	118
			HIGH	5500	5800	5700	48	115	121	119

Dimensions and Weights

TYPICAL DIMENSIONS AND WEIGHTS			
	LBP14 (1x4)	LBP22 (2x2)	LBP24 (2x4)
Length	11.9" / 303 mm	23.7" / 603 mm	23.7" / 603 mm
Width	47.8" / 1213 mm	23.7" / 603 mm	47.8" / 1213 mm
Height	2.0" / 50 mm	2.0" / 50 mm	2.0" / 50 mm
Weight*	4.2lbs/1.91kg	4.16lbs/1.89kg	8.05lbs/3.65kg

*Base configurations; options by vary weight

CUSTOMER NAME

Project Name _____

Date _____ Type _____

Catalog Number _____

ACCESSORIES ORDERING GUIDE (ORDER SEPARATELY)

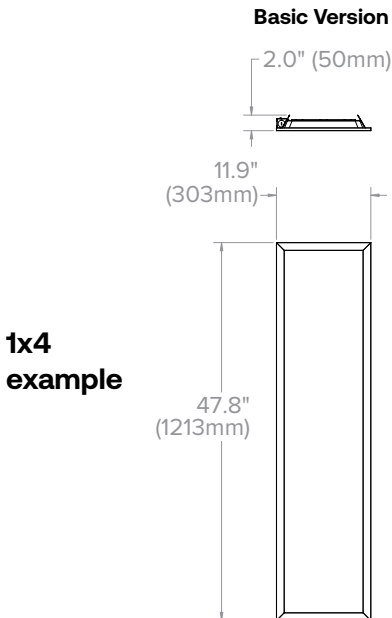
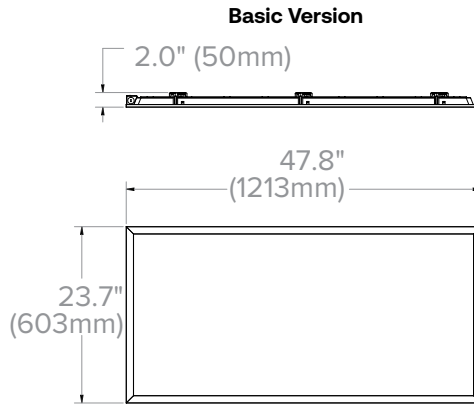
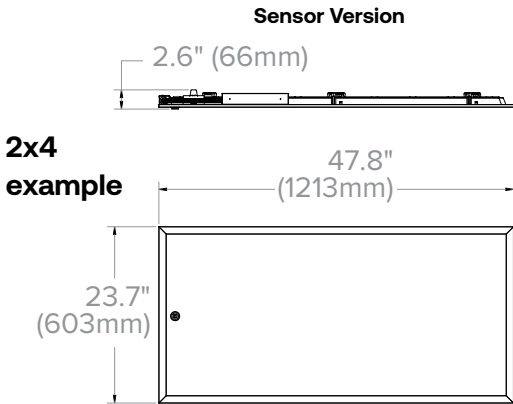
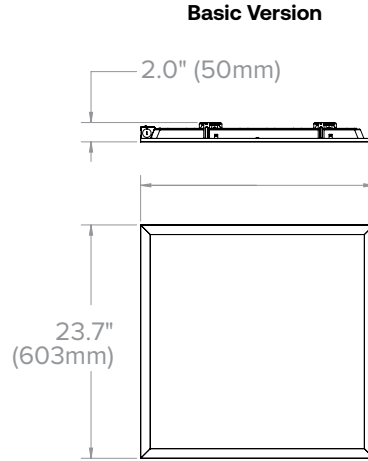
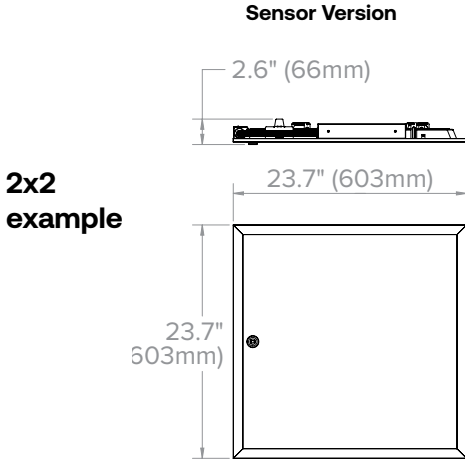
Accessories (Order Separately)	Part #	UPC	Notes & Restrictions
Flange Kits			
<input type="checkbox"/> FK14	FK14	078531000745	1x4 Single Flange Kit
<input type="checkbox"/> FK22	FK22	078531000752	2x2 Single Flange Kit
<input type="checkbox"/> FK24	FK24	078531038991	2x4 Single Flange Kit
Surface Mount Kits - Suitable for LBP standard fixture only. Not compatible with any options or other field installable kits. Height = 2.5 Inches (see dimensions section on page 5)			
<input type="checkbox"/> PSMK14 1x4 Surface Mount Kit	93302543	662055127905	1x4 Flat Panel Surface Mount Kit.
<input type="checkbox"/> PSMK22 2x2 Surface Mount Kit	93302544	662055127912	2x2 Flat Panel Surface Mount Kit.
<input type="checkbox"/> PSMK24 2x4 Surface Mount Kit	93302545	662055127929	2x4 Flat Panel Surface Mount Kit.
Emergency Battery - CBP Gen A EMBB Kits use the Dual Lite PLD10 (10 Watt) Emergency Battery. To Determine lumen output in emergency mode, multiply 10w by the fixture lumens per watt (LPW). Ex: 10w x 123 LPW = ~1230 lumens in emergency mode. LBP GEN A fixtures with EMBB option require a remote mounted test switch, we recommend the Dual Lite PLRTS			
<input type="checkbox"/> CBP14A EMBB Kit	93308995	662055313940	1x4 CBP Gen A EMBB Field Installable Kit
<input type="checkbox"/> CBP2224A EMBB Kit	93308998	662055313971	2x2 & 2x4 CBP Gen A EMBB Field Installable Kit
347V			
<input type="checkbox"/> CBP14A 347V Kit	93308996	662055313957	1x4 CBP Gen A 347V Field Installable Kit
<input type="checkbox"/> CBP2224A 347V Kit	93308999	662055313988	2x2 & 2x4 CBP Gen A 347V Field Installable Kit
Dimming Bypass Module			
<input type="checkbox"/> CBP14A DTS Kit	93308997	662055313964	1x4 CBP Gen A DTS Field Installable Kit
<input type="checkbox"/> CBP2224A DTS Kit	93309000	662055313995	2x2 & 2x4 CBP Gen A DTS Field Installable Kit
Switch Cover			
<input type="checkbox"/> PSC Switch Cover 50PK	93167456	840141413426	CBP Gen A Selectable Driver Switch Cover

DLC Listings

Size	CCT	Setting	DLC Model #	DLC Product ID #
1x4	3500	LOW	LBP14AFSDF2PK-LOW-3500K	S-YK4ZUJ
	3500	MED	LBP14AFSDF2PK-MED-3500K	S-O4PK3F
	3500	HIGH	LBP14AFSDF2PK-HIGH-3500K	S-EXPMHZ
	4000	LOW	LBP14AFSDF2PK-LOW-4000K	S-G5UIXV
	4000	MED	LBP14AFSDF2PK-MED-4000K	S-OSBRJT
	4000	HIGH	LBP14AFSDF2PK-HIGH-4000K	S-GS0AYP
	5000	LOW	LBP14AFSDF2PK-LOW-5000K	S-8EICAF
	5000	MED	LBP14AFSDF2PK-MED-5000K	S-SB7LMC
	5000	HIGH	LBP14AFSDF2PK-HIGH-5000K	S-9YCEWN
2x2	3500	LOW	LBP22AFSDF2PK-LOW-3500K	S-E04SNA
	3500	MED	LBP22AFSDF2PK-MED-3500K	S-8FX247
	3500	HIGH	LBP22AFSDF2PK-HIGH-3500K	S-23FUOQ
	4000	LOW	LBP22AFSDF2PK-LOW-4000K	S-UMB1QF
	4000	MED	LBP22AFSDF2PK-MED-4000K	S-S3EPO6
	4000	HIGH	LBP22AFSDF2PK-HIGH-4000K	S-F05TCV
	5000	LOW	LBP22AFSDF2PK-LOW-5000K	S-MIFBV2
	5000	MED	LBP22AFSDF2PK-MED-5000K	S-9AOKBZ
	5000	HIGH	LBP22AFSDF2PK-HIGH-5000K	S-HPDF2A

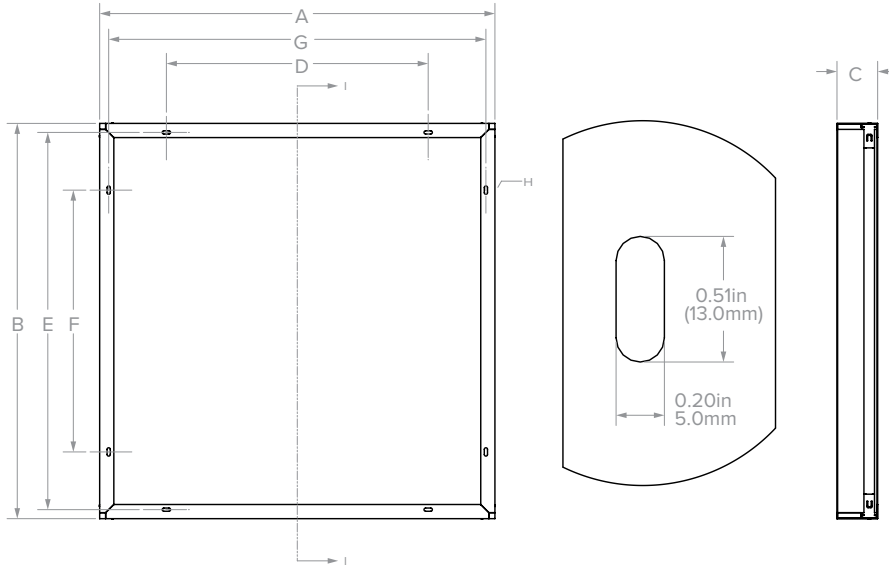
Size	CCT	Setting	DLC Model #	DLC Product ID #
2x2 TT	3500	LOW	LBP22AFSDFTT2PK-LOW-3500K	S-UA8B73
	3500	MED	LBP22AFSDFTT2PK-MED-3500K	S-FE2Z0T
	3500	HIGH	LBP22AFSDFTT2PK-HIGH-3500K	S-MGS014
	4000	LOW	LBP22AFSDFTT2PK-LOW-4000K	S-GTX9HJ
	4000	MED	LBP22AFSDFTT2PK-MED-4000K	S-K80FIR
	4000	HIGH	LBP22AFSDFTT2PK-HIGH-4000K	S-OLTI1A
	5000	LOW	LBP22AFSDFTT2PK-LOW-5000K	S-JZUYAC
	5000	MED	LBP22AFSDFTT2PK-MED-5000K	S-6P2IH9
	5000	HIGH	LBP22AFSDFTT2PK-HIGH-5000K	S-SB60UF
2x4	3500	LOW	LBP24AFSDF2PK-LOW-3500K	S-M6GZ90
	3500	MED	LBP24AFSDF2PK-MED-3500K	S-JKDO0T
	3500	HIGH	LBP24AFSDF2PK-HIGH-3500K	S-Z2CVL9
	4000	LOW	LBP24AFSDF2PK-LOW-4000K	S-TLQU8M
	4000	MED	LBP24AFSDF2PK-MED-4000K	S-53YNOM
	4000	HIGH	LBP24AFSDF2PK-HIGH-4000K	S-GUNSRC
	5000	LOW	LBP24AFSDF2PK-LOW-5000K	S-WLN5YJ
	5000	MED	LBP24AFSDF2PK-MED-5000K	S-Z3WDKU
	5000	HIGH	LBP24AFSDF2PK-HIGH-5000K	S-20X8DQ
2x4 TT	3500	LOW	LBP24AFSDFTT2PK-LOW-3500K	S-0B4FIN
	3500	MED	LBP24AFSDFTT2PK-MED-3500K	S-9BPI6M
	3500	HIGH	LBP24AFSDFTT2PK-HIGH-3500K	S-KH96N2
	4000	LOW	LBP24AFSDFTT2PK-LOW-4000K	S-EFJQP2
	4000	MED	LBP24AFSDFTT2PK-MED-4000K	S-IWMNLE
	4000	HIGH	LBP24AFSDFTT2PK-HIGH-4000K	S-FLV90R
	5000	LOW	LBP24AFSDFTT2PK-LOW-5000K	S-X8RDFI
	5000	MED	LBP24AFSDFTT2PK-MED-5000K	S-IIB2YF
	5000	HIGH	LBP24AFSDFTT2PK-HIGH-5000K	S-KSFQ8T

Product Dimensions



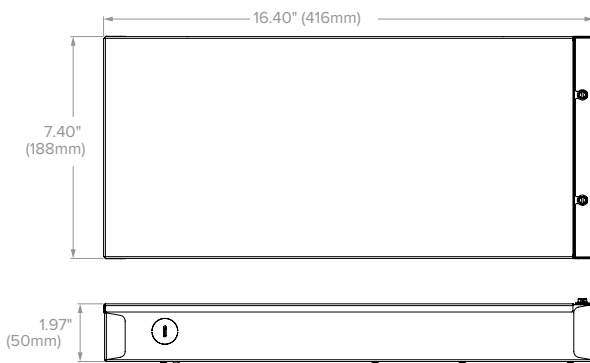
Additional Data

Surface Mount PSMK Dimensions - 2x2 example see below chart for all size dimensions

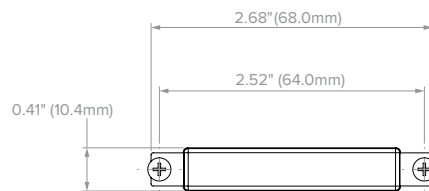


Product Code	Description	A (in)	B (in)	C (in)	D (in)	E (in)	F (in) Between Holes	G (in)
93302543	PSMK-14	12.05	48.0	2.5	1 hole	46.88	16.0 (3 holes)	10.92
93302544	PSMK-22	24.16	24.16	2.5	16.0	23.06	16.0	23.06
93302545	PSMK-24	24.16	48.0	2.5	16.0	46.88	16.0 (3 holes)	23.06

Control Box



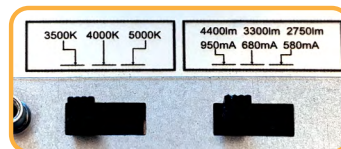
PSC Switch Cover



Additional Info

FS Switches Default Settings

Maximum Lumen Output and 3500K CCT

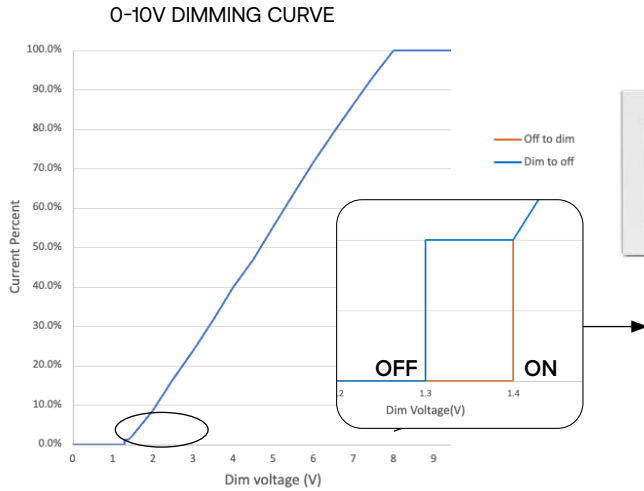


0-10V Dimmer Compatibility

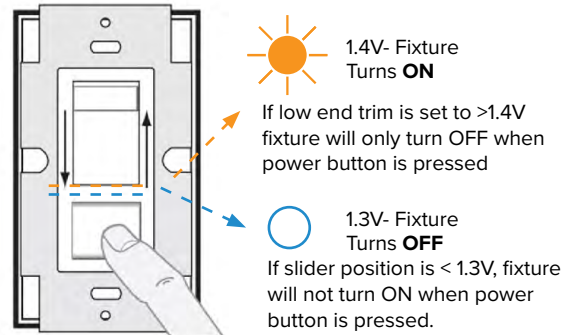
Fixture operates at 120-277V. 0-10V dimmable driver, down to 1%. 1V minimum low-end trim recommended when paired with a 0-10V dimmer. List of suitable dimmers based on laboratory testing. Compatibility must be verified by customer before install. Columbia cannot guarantee dimmer compatibility

- NX Lighting Controls RSD710
- NX Lighting Controls PSD710
- Lutron® Diva DVST
- LUTRON DVTV
- LUTRON NTSTV-DV
- Eaton® DF10P-C1
- Synergy® ISD BC120/277
- Enerlites® 51300L

ADDITIONAL DIMMING INFORMATION: DIMMING CURVE



WALLBOX DIMMER EXAMPLE



DIM TO DARK FUNCTION

Dimmer Low End Trim Settings	ON/OFF Operation		Dimmer Control Range
> 1.4V	ON/OFF Toggle power control only		Full output to Low End Trim Setting
1.3V to 1.4V	ON Adjust dimmer control above 1.4V + Set power control to ON	OFF Set power control to OFF	Full output to Low End Trim Setting
< 1.3V	ON Adjust dimmer control above 1.4V + Set power control to ON	OFF Set power control to OFF OR Adjust dimmer below 1.3V	Full output to OFF

DAINTREE CONTROLS

Daintree® Wireless Controls:

There is no one size fits all for wireless controls. Some networks want simple solutions that reduce energy consumption and meet code compliance while others are more ambitious, looking to capitalize on the LED and controls savings to fund a scalable, enterprise-grade, internet of things solution. The advantage of the Daintree® Wireless platform is it's ability to integrate into indoor, outdoor and high bay environments. The Daintree® Wireless Controls provide the infrastructure to future proof your buildings, easily upgrade to Networked solutions and provide the ability to integrate into IoT solutions that are right for your business.

- **Daintree® One:** Standalone Wireless Controls
- **Daintree® EZ Connect:** Room-Based Wireless Lighting Controls
- **Daintree® Networked:** Networked Lighting Controls for Smart Building & IoT Enablement

Daintree® Wireless Controls are already integrated in your favorite Current LED fixtures. Integrating the controls into the fixture cuts labor costs considerably since the sensors are already embedded in the lighting fixtures. There's no need to get above the ceiling plenum and install additional devices. Visit our website LED.com for a complete list of LED Fixtures

DLC 5.1 LLLC: Integrated/ embedded networked lighting control, luminaire- level lighting control (LLLC) When deployed in an EZ connect application the sensor is designed for persistent lighting control as stand-alone in case of a wireless network communication failure.