

CUSTOMER NAME \_\_\_\_\_

Project Name \_\_\_\_\_

Date \_\_\_\_\_ Type \_\_\_\_\_

Catalog Number \_\_\_\_\_

## DECAUX CYLINDERS

6" and 8" Round

Decaux Cylinders provide excellent performance and versatility for general illumination in a wide variety of commercial, retail and institutional applications. Offered in 6" and 8" apertures, Decaux Cylinders can be selected in surface, pendant, cord or wall mount with outputs from 1000 to 2400 nominal lumens. Choose from 4 CCTs (90 CRI standard), 3 reflector finishes and Bronze, Matte Black, Matte White or Silver exterior colors adding an aesthetically pleasing architectural element to the space.

### Construction

<b>Housing:</b>	Seamless heavy gauge aluminum
<b>Lens:</b>	Diffuse Acrylic
<b>Paint:</b>	(Cylinder Exterior): Powder Coat, 4 colors
<b>Weight:</b>	Varies
<b>Optical Assembly:</b>	Spun aluminum reflector, 45° cutoff, available in 3 finish/colors

### Optical System

<b>Lumens:</b>	1000 - 2400lm
<b>Distribution:</b>	Wide Flood
<b>Efficacy:</b>	Up to 72 LPW
<b>CCT:</b>	3000K, 3500K, 4000K, 5000K
<b>CRI:</b>	90CRI Standard
<b>Color Consistency:</b>	3-Step MacAdam Ellipse

### Electrical

<b>Input Voltage:</b>	120-277V
<b>Input Frequency:</b>	50/60Hz
<b>Power Factor (PF)*:</b>	>0.9
<b>Total Harmonic Distortion (THD)*:</b>	<20%*
<b>EMI:</b>	FCC Class A (<24dba)
<b>Wattage</b>	13.3W - 33W

\* PF and THD may vary with options

### Controls

**Dimming:** 0-10V Dimming (to 1%), Lutron Ecosystem to 1%

### Ambient Temperature

TYPE	TEMPERATURE RATE
OPERATING TEMPERATURE	-30°C to 30°C

### Lumen Maintenance

Lxx(10K) @ Hours 50,000 hr
L70

### Mounting

- Surface, Pendant, Cord, and Wall Mount options
- Each mounting has a quick connect feature that allows easy access for future technology upgrades
- Reflector/light engine assembly features a torsion spring installation for mechanical retention to the cylinder housing
- Diffuse yet highly transmissive lens eliminates hot spots and creates a smooth, uniform look from below

### Design Life & Warranty

- Class 2 high efficiency LED driver with inherent short-circuit and overload protection
- Surface and Pendant Mount: (6" 1000-1800lm & 8" 1000-2400lm) Suitable for wet location under canopy/covered ceilings
- Wall Mount in 6" (1000-1800lm) & All 8": Suitable for wet locations
- Wall Mount in 6" 2400lm & All Cord Mount: Suitable for damp locations
- FAR 52.225-11 Buy American-Construction. Materials under Trade Agreements
- 5 year warranty



**Ordering Information**

**LCC**      **0**      **WD**      **9**

FAMILY	APERTURE	MOUNTING	VENTING CONFIGURATION	VOLTAGE	NOMINAL LUMEN OUTPUT	DISTRIBUTION	CRI	CCT	DIMMING	REFLECTOR FINISH	REFLECTOR COLOR OPTION	CYLINDER COLOR
LCC = Lumination Cylinder	6 6" Aperture	P Pendant (18")	NV Non-Vented	0 120-277V	10 1000 lumens	WD Wide	9 90+ CRI	30 3000K 35 3500K 40 4000K <sup>2</sup> 50 5000K <sup>2</sup>	VI 0-10V @ 1% Dimming LE Lutron Hi-Lume Ecosystem @ 1% <sup>2</sup>	DF Diffuse Anodized PT Painted	CL Clear	BZ Bronze
	8 8" Aperture	S Surface Mount	1H Horizontal Top only		14 1400 lumens						BL Painted Black Cone	BL Matte Black
		C Cord Mount	2H Horizontal Top /Bottom		18 1800 lumens						WT Painted White Cone	WT Matte White
		W Wall Mount			24 2400 lumens <sup>1</sup>						SV Silver	

**Ordering Notes:**

- 6" aperture 2400 lumens requires venting (1H or 2H).
- Not available on 2400 lumen output.

**Lumen Data**

Based on 3500K, 90 CRI Diffused Anodized reflector finish

MODEL	NOMINAL LUMENS	DELIVERED LUMENS	WATTAGE	LPW
6" Cylinder	1000	883	15.5	57
6" Cylinder	1400	1159	19.7	59
6" Cylinder	1800	1485	24.9	60
6" Cylinder	2400	2062	32.2	64
8" Cylinder	1000	910	13.3	68
8" Cylinder	1400	1250	17.7	71
8" Cylinder	1800	1589	22	72
8" Cylinder	2400	2145	33	65

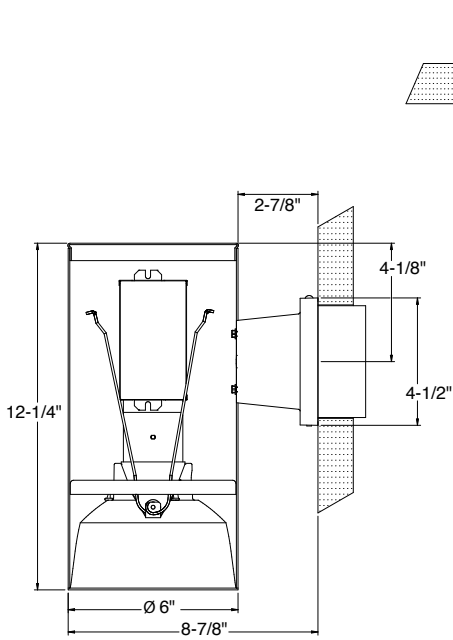
**Lumen Multiplier Table**

Unless specified, photometrics are published at a nominal 3500 Kelvin temperature. This table may be used to approximate the lumen values at different Kelvin temperatures. Power consumption would stay the same.

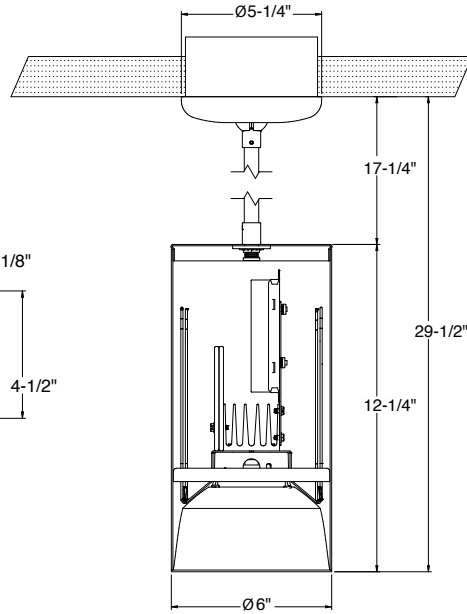
5000 Kelvin	1.09
4000 Kelvin	1.00
3500 Kelvin	1.00
3000 Kelvin	0.99

**Product Dimensions**

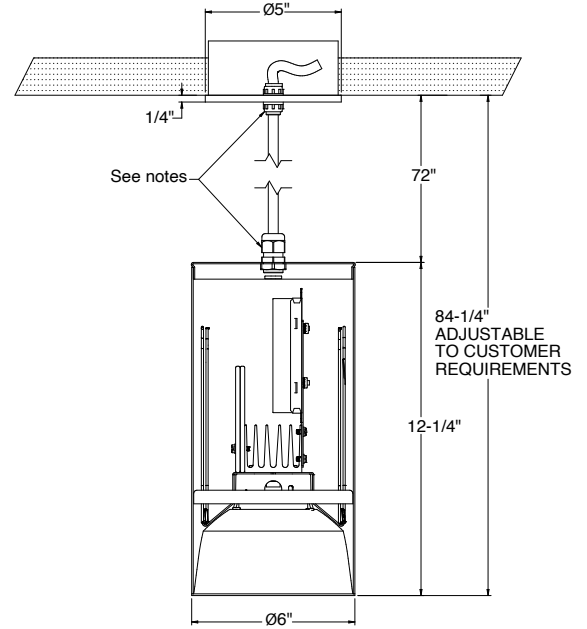
**6" Cylinders (1000 to 1800 lumens)**



WALL MOUNT

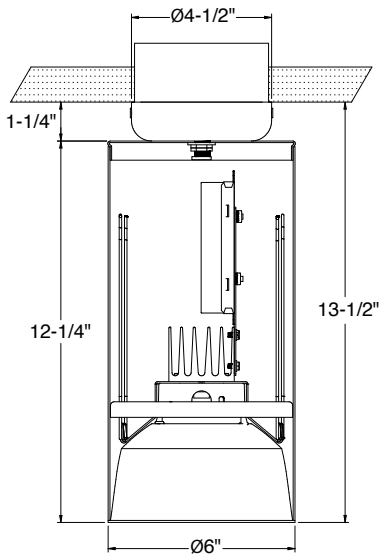


PENDANT MOUNT



CORD MOUNT

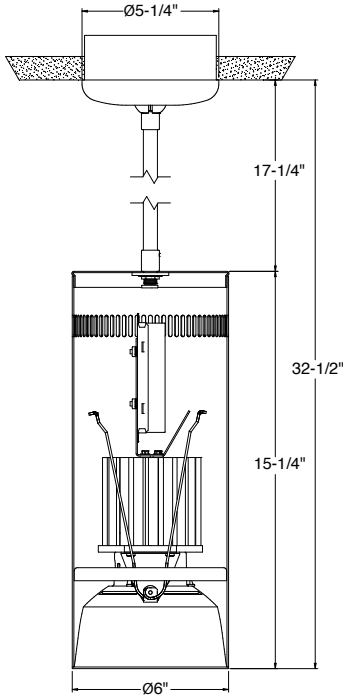
6 ft Clear Cord standard  
Canopy matches cylinder color  
Bushings: White on White and silver cylinder color  
Black on all other cylinder colors



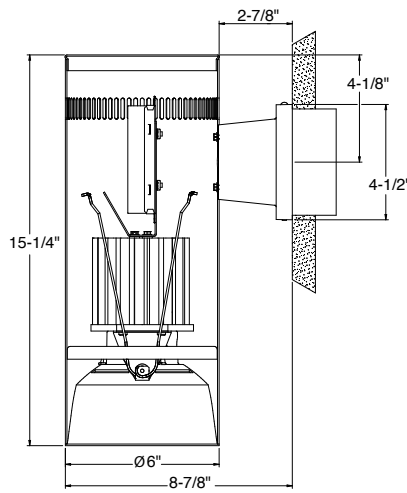
SURFACE

### Product Dimensions

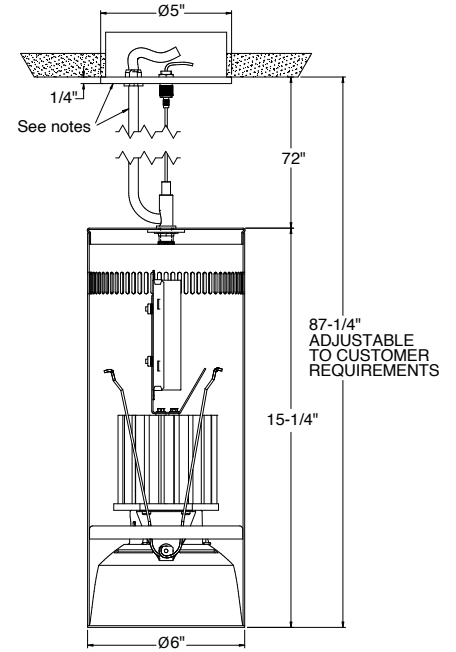
#### 6" Cylinders (2400 lumens)



PENDANT MOUNT

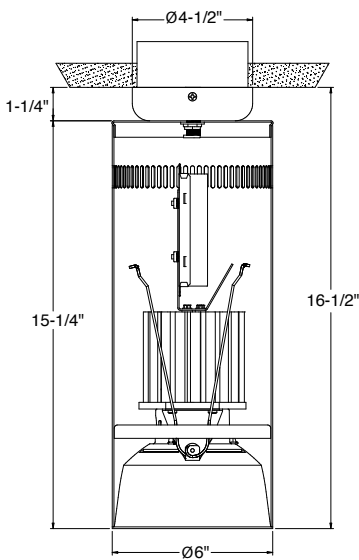


WALL MOUNT



CORD/CABLE MOUNT

6 ft Clear Cord with aircraft cable standard  
Canopy matches cylinder color  
Stainless steel hardware

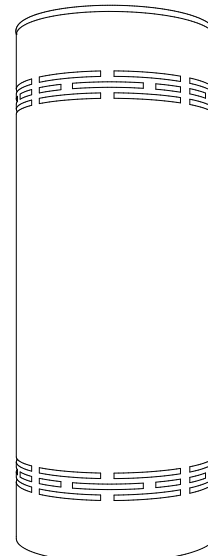


SURFACE MOUNT

### VENTING



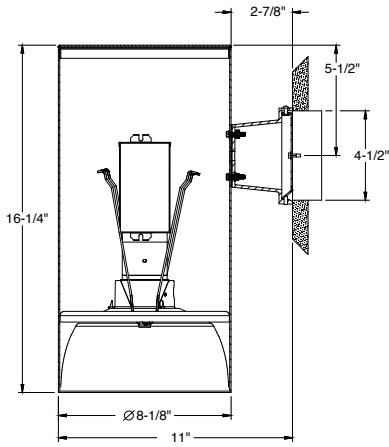
1H



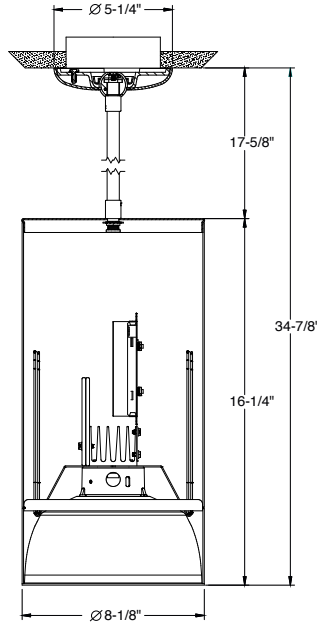
2H

**Product Dimensions**

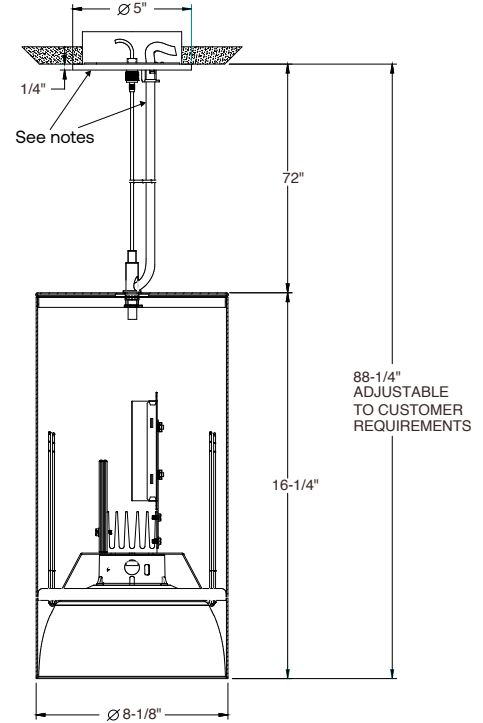
**8" Cylinders**



**WALL MOUNT**

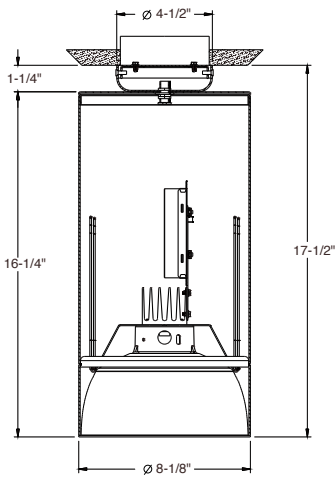


**PENDANT MOUNT**



**CORD/CABLE MOUNT**

6 ft Clear Cord with aircraft cable standard  
Canopy matches cylinder color  
Stainless steel hardware



**SURFACE MOUNT**

### Photometric Data

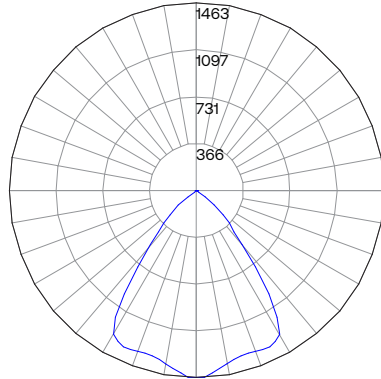
#### 6" Round

**3500K**

2400 LM

Wide

LCC6S1H024WD935V1WT



ZONE	LUMENS
0-10	135.3
10-20	381.72
20-30	618.21
30-40	594.36
40-50	277.12
50-60	47.32
60-70	5.77
70-80	1.9
80-90	0.12

ZONE	LUMENS	% OF FIXTURE
0-20	517.02	25.1
0-30	1135.23	55.1
0-40	1729.58	83.9
0-60	2054.03	99.6
0-80	2061.69	100
0-90	2061.81	100
10-90	1926.51	93.4
20-40	1212.56	58.8
20-50	1489.69	72.3
40-70	330.21	16
60-80	7.66	0.4
70-80	1.9	0.1
80-90	0.12	0
0-180	2061.81	100

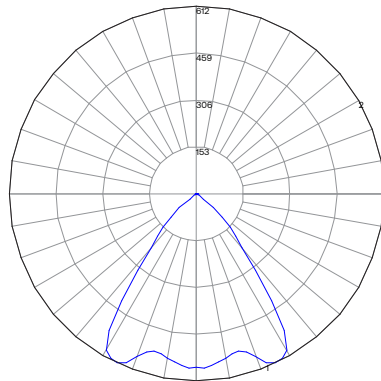
#### 6" Round

**3500K**

1800 LM

Wide

LCC6S018WD935V1WT



ZONE	LUMENS
0-10	91.5
10-20	263.36
20-30	436.57
30-40	441.1
40-50	213.29
50-60	33.96
60-70	5.19
70-80	0
80-90	0

ZONE	LUMENS	% OF FIXTURE
0-20	354.87	23.9
0-30	791.44	53.3
0-40	1232.54	83
0-60	1479.79	99.7
0-80	1484.98	100
0-90	1484.98	100
10-90	1393.48	93.8
20-40	877.67	59.1
20-50	1090.96	73.5
40-70	252.44	17
60-80	5.19	0.3
70-80	0	0
80-90	0	0
0-180	1484.98	100

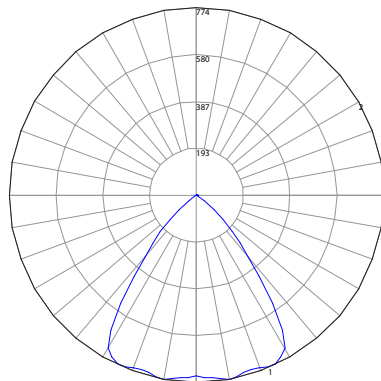
#### 6" Round

**3500K**

1400 LM

Wide

LCC6S014WD935V1WT



ZONE	LUMENS
0-10	72.85
10-20	215.87
20-30	351.42
30-40	334.45
40-50	160.25
50-60	22.25
60-70	1.99
70-80	0.56
80-90	0

ZONE	LUMENS	% OF FIXTURE
0-20	288.71	24.9
0-30	640.13	55.2
0-40	974.58	84
0-60	1157.08	99.8
0-80	1159.62	100
0-90	1159.62	100
10-90	1086.78	93.7
20-40	685.87	59.1
20-50	846.12	73
40-70	184.48	15.9
60-80	2.55	0.2
70-80	0.56	0
80-90	0	0
0-180	1159.62	100

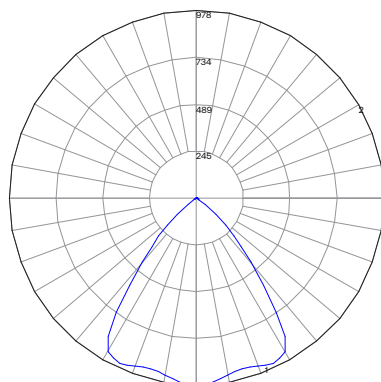
#### 6" Round

**3500K**

1000 LM

Wide

LCC6S010WD935V1WT



ZONE	LUMENS
0-10	53.25
10-20	154.02
20-30	277.57
30-40	260.31
40-50	116.53
50-60	17.49
60-70	2.73
70-80	1.23
80-90	0.12

ZONE	LUMENS	% OF FIXTURE
0-20	207.27	23.5
0-30	484.85	54.9
0-40	745.15	84.4
0-60	879.17	99.5
0-80	883.14	100
0-90	883.25	100
10-90	830	94
20-40	537.88	60.9
20-50	654.41	74.1
40-70	136.75	15.5
60-80	3.96	0.4
70-80	1.23	0.1
80-90	0.12	0
0-180	883.25	100

## CUSTOMER NAME

Project Name \_\_\_\_\_

Date \_\_\_\_\_ Type \_\_\_\_\_

Catalog Number \_\_\_\_\_

## Dimmer Compatibility List

---

### Important Notice

Because dimming equipment, applications, and conditions of use are many, varied, and beyond Current's control, this information necessarily is based on limited samples sizes and testing. This list only included dimmers that have been tested with the Current's luminaires listed. There may be other dimmers on the market that are compatible with these Current's luminaires. If you have a question about a particular dimmer that is not on the list, please contact Current to see if the model has been tested, or to arrange testing.

1. Adjust the dimmer to the lowest setting.
2. Locate the trim adjustment and set to the lowest light level where the light output is stable.
3. Turn fixture off and on to ensure proper operation. If it is not operating as expected, adjust the trim up slightly and retest.