

LUMELHL Series

LED | High Lumen
Emergency Light



CUSTOMER NAME _____

Project Name _____

Date _____ Type _____

Catalog Number _____

- 2.7W units provide 55' spacing; 5.4W units provide 95' spacing
- Battery recharge within 24 hours
- Damp Location Listed 10°C to 40°C (50°F to 104°F)
- Dual-voltage 120 through 277V AC, 50/60 Hz. input
- Includes long-life Lithium Iron Phosphate battery at 9.6Vdc
- Provided with test switch and AC-On indicator

SPECIFICATIONS

APPLICATION

- The LUMELHL Series is designed for high ceiling height applications, long hallways, large open areas like warehouses, factories, retail stores, schools and other commercial applications

CONSTRUCTION

- Adjustable high-power LED lamp heads
- The LUMELHL is constructed of UL5VA flame-rated and UV-stable corrosion resistant thermoplastic
- Lamp head construction is in polycarbonate

INSTALLATION

- Designed for wall or ceiling mount to electrical outlet boxes

ELECTRICAL

- Includes a long-life Lithium Iron Phosphate battery for UL recognized 90 minute emergency lighting
- Emergency illumination is provided by 3 high-power LEDs per lamp-head. The LUMELHL has a total lumen output of 550 lumens, and the LUMEL2HL has a total lumen output of 1300 lumens

CERTIFICATIONS

- UL924 Listed for Damp Location
- NFPA 101 and NFPA 70
- OSHA
- CEC T20 Compliant

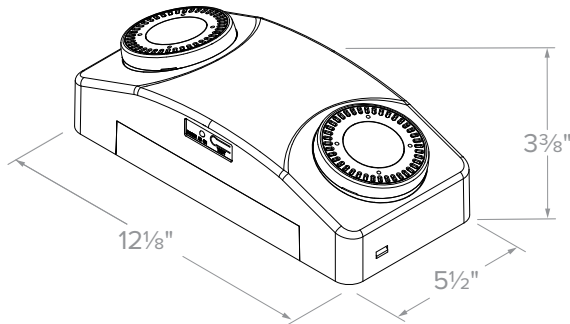
WARRANTY

- 2 year full unit warranty
- See Lumination Standard Warranty for additional information

ORDERING GUIDE

| Catalog Number | Description |
|----------------|--|
| LUMELHL | White housing, 2.7W LED lamps, 550 lumens total |
| LUMEL2HL | White housing, 5.4W LED lamps, 1300 lumens total |

DIMENSIONS



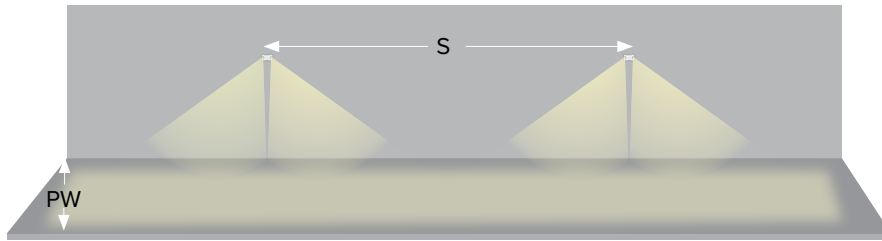
| | |
|------------------------|----------|
| Single Carton Weight | 2.6 lbs. |
| Master Carton Quantity | 6 each |



ENERGY CONSUMPTION

| | 120VAC | | 277VAC | |
|-----------------|--------|------|--------|------|
| | Watts | Amps | Watts | Amps |
| LUMELHL | 0.9W | 18mA | 1.0W | 12mA |
| LUMEL2HL | 2.58W | 44mA | 2.6W | 25mA |

APPLICATION INFORMATION



| | Multiple Unit Spacing (7.5' Mounting Height) | |
|-----------------|---|-------------|
| | Path Width (PW) | Spacing (S) |
| LUMELHL | 6' | 55' |
| LUMEL2HL | 6' | 95' |

Note: Meets Life Safety Code minimum illuminance of 0.1 fc and average illuminance of 1.0 fc. Assumes open space with no obstructions, ceiling height of 9' and reflectances of 80/50/20. Photometry files available on the Lumination website

LAMP HEAD ADJUSTABILITY

