

LUMELOD Series

LED | Wet Location
Emergency Light



CUSTOMER NAME _____

Project Name _____

Date _____ Type _____

Catalog Number _____

- LED Life-cycle exceeding 10 years
- Quick installation
- Dual-voltage 120 or 277VAC input
- Long-life Nickel Cadmium battery at 3.6VDC for UL recognized 90 minute emergency lighting
- Wet Location Listed for 10°C to 40°C(50°F-104°F)
- External Push-to-Test switch
- Wall or Ceiling Mount

SPECIFICATIONS

APPLICATION

- The LUMELOD can be applied in areas susceptible to rain and severe moisture, such as parking decks and outdoor commercial applications

CONSTRUCTION

- Unit is made of injection molded, high-impact, UV stabilized thermoplastic with a UL94 V-0 flammability rating
- The housing and enclosure have a white finish
- The unit includes a clear polycarbonate shield which is fully gasketed
- The front cover is secured by 2 stainless steel screws

INSTALLATION

- Housing includes a molded-in template for easy installation
- Designed for wall or ceiling mount

ELECTRICAL

- Includes a long-life Nickel Cadmium battery at 3.6VDC for UL recognized 90 minute emergency lighting
- The LUMELOD has 12 LED's per lamp-head driven at 1.15W at 3.6VDC

CERTIFICATIONS

- UL924 Listed for Wet Location
- NFPA 101 and NFPA 70
- OSHA

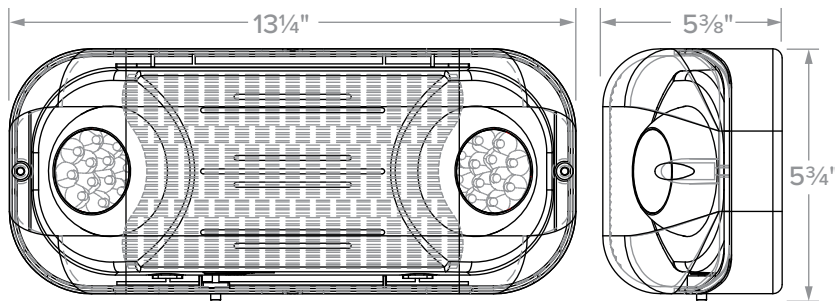
WARRANTY

- 2 year full unit warranty
- See Lumination Standard Warranty for additional information

ORDERING GUIDE

Catalog Number	Description
LUMELOD	Clear poly-carbonate shield with White Thermoplastic Housing, Dual LED Lamps, UL Wet Location listed, 120/277VAC Input, 3.6VDC Output, 1.15W per lamp

DIMENSIONS



Single Carton Weight	2.5 lbs.
Master Carton Quantity	6 each



LUMELOD Series

LED | Wet Location
Emergency Light

CUSTOMER NAME _____

Project Name _____

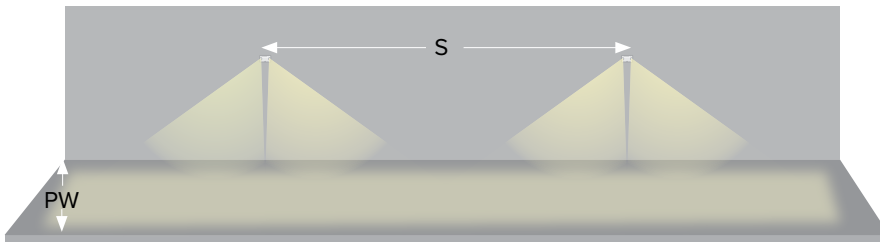
Date _____ Type _____

Catalog Number _____

ENERGY CONSUMPTION

	120VAC	277VAC
LUMELOD	1.90W	1.90W

APPLICATION INFORMATION



	Multiple Unit Spacing (7.5' Mounting Height)	
	Path Width (PW)	Spacing (S)
LUMELOD	6'	16'

Note: Meets Life Safety Code minimum illuminance of 0.1 fc and average illuminance of 1.0 fc. Assumes open space with no obstructions, ceiling height of 9' and reflectances of 80/50/20. Photometry files available on the Lumination website