

LUMELWG Series

LED | Wet Location
Emergency Light



CUSTOMER NAME _____

Project Name _____

Date _____ Type _____

Catalog Number _____

- LED life-cycle of more than 10 years
- Quick installation
- Dual-voltage 120 or 277V AC input
- Includes long-life 9.6VDC Nickel Cadmium battery for UL recognized 90 minute operation
- Offers extended runtime up to 3 hours
- Wet Location Listed (0°C to 50°C)
- Includes water-proof test switch and AC-On indicator

SPECIFICATIONS

APPLICATION

- The LUMELWG Series can be applied in areas that are susceptible to rain and severe moisture like pool areas, parking decks, and other commercial applications

CONSTRUCTION

- Grey housing made of corrosion resistant UV stabilized polycarbonate
- Lamp-heads are fully adjustable, sealed and gasketed
- Lamp-head consists of metallized high-performance reflector and 15 ultra-bright LEDs with tempered glass lens

INSTALLATION

- Includes external mounting brackets for ease of installation

ELECTRICAL

- Includes long-life Nickel Cadmium (NiCad) or Nickel Metal Hydride(NiMh) battery for UL recognized 90 minute emergency lighting

CERTIFICATIONS

- UL924 Listed for Damp Location
- NFPA 101 and NFPA 70
- OSHA

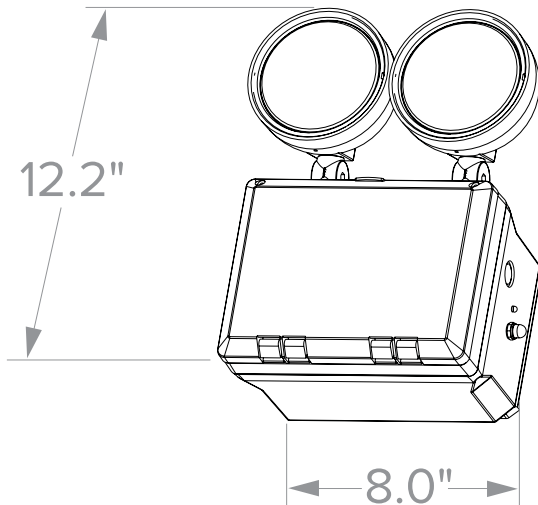
WARRANTY

- 2 year full unit warranty
- See Lumination Standard Warranty for additional information

ORDERING GUIDE

Catalog Number	Description
LUMELWG	Wet Location LED Unit, Gray Housing

DIMENSIONS



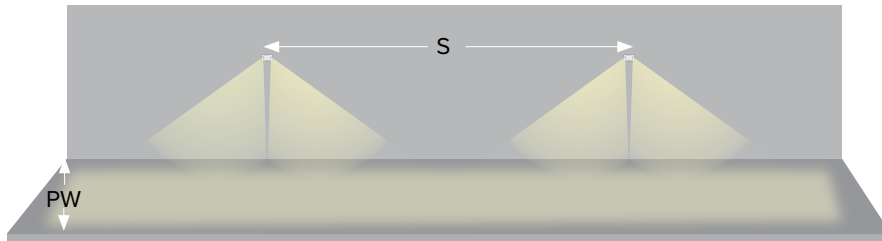
Single Carton Weight	2.5 lbs.
Master Carton Quantity	6 each



ENERGY CONSUMPTION

	120VAC		277VAC	
	Watts	Amps	Watts	Amps
LUMELWG	2.7W	0.03A	2.7W	0.013A

APPLICATION INFORMATION



	Multiple Unit Spacing (7.5' Mounting Height)	
	Path Width (PW)	Spacing (S)
LUMELWG	6'	16'

Note: Meets Life Safety Code minimum illuminance of 0.1 fc and average illuminance of 1.0 fc. Assumes open space with no obstructions, ceiling height of 9' and reflectances of 80/50/20. Photometry files available on the Lumination website