



CUSTOMER NAME \_\_\_\_\_  
 Project Name \_\_\_\_\_  
 Date \_\_\_\_\_ Type \_\_\_\_\_  
 Catalog Number \_\_\_\_\_

- LED life-cycle of more than 10 years
- Quick installation
- Dual-voltage 120 or 277V AC input
- Remote capacity or extended runtime option
- Damp Location Listed 20°C to 30°C (68°F to 86°F)
- Round or Square, Fully adjustable, lamp-heads
- Provided with test switch and AC-On indicator
- Wall or Ceiling mount

### SPECIFICATIONS

#### APPLICATION

- The LUMEL series can be applied in stairwells, hallways, offices and commercial applications

#### CONSTRUCTION

- The white or black housing and lamp-heads are made of high impact UL flame rated thermoplastic

#### INSTALLATION

- Snap together design for quick and easy installation with option of Wall or Ceiling mount

#### ELECTRICAL

- Remote capacity unit will run a double-head remote or 2 single-head remotes of either the Lumination LUR Indoor or Outdoor Remotes
- Includes long-life Nickel Cadmium(NiCad) or Nickel Metal Hydride(NiMh) battery for UL recognized 90 minute emergency lighting
- Remote Capacity(RC) models have a minimum runtime of 120 minutes when no remotes are installed

#### CERTIFICATIONS

- UL924 Listed for Damp Location
- NFPA 101 and NFPA 70
- OSHA
- CEC T20 Compliant

#### WARRANTY

- 2 year full unit warranty
- See Lumination Standard Warranty for additional information

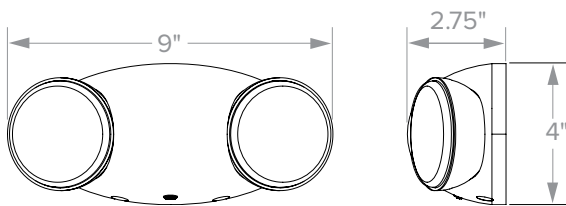
### ORDERING GUIDE

Catalog Number	Description
LUMEL	White Finish, Round Head LED Emergency Light, 120/277 Input, NiCad Battery, 3 VDC, 1 Watt, CEC T20 Compliant
LUMELB	Black Finish, Round Head LED Emergency Light, 120/277 Input, NiCad Battery, 3 VDC, 1 Watt, CEC T20 Compliant
LUMELRC	White Finish, Round Head LED Emergency Light, 120/277 Input, NiMh Battery, Remote Capacity, 3VDC, 1Watt
LUMELRCB	Black Finish, Round Head LED Emergency Light, 120/277 Input, NiMh Battery, Remote Capacity, 3VDC, 1Watt
LUMELSQ	White Finish, Square Head Emergency Light, 120/277VAC Input, NiCad Battery, 3.6VDC Output
LUMELRCsq	White Finish, Square Head Emergency Light, 120/277VAC Input, NiMh Battery, Remote Capacity, 3.6VDC Output

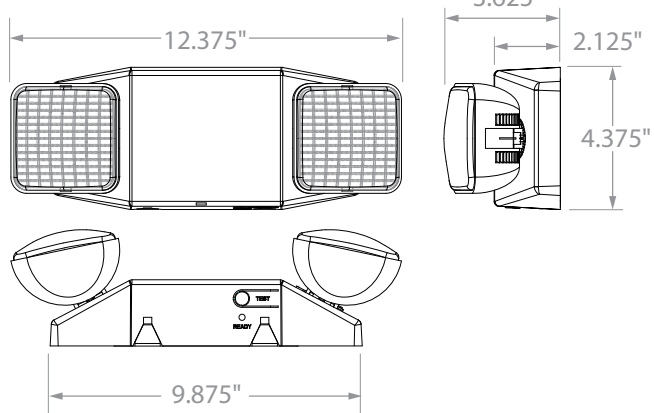
\*See Accessories on Page 2

### DIMENSIONS

#### Round Lumel



#### Square Lumel



Single Carton Weight	1.00 lbs.
Master Carton Quantity	12 each



CUSTOMER NAME \_\_\_\_\_

Project Name \_\_\_\_\_

Date \_\_\_\_\_ Type \_\_\_\_\_

Catalog Number \_\_\_\_\_

### ENERGY CONSUMPTION

	120VAC	277VAC
LUMEL	.56W	.54W
LUMELRC	.92W	1.62W
LUMELSQ	1.8W	1.8W
LUMELRCSQ	2.5W	2.5W

### ACCESSORIES (ORDER SEPARATELY)

Catalog Number	Description
LURIS	Indoor Remote, Single Round Head, White
LURID	Indoor Remote, Double Round Head, White
LUROS	Outdoor Wet Location Remote, Single Head, White
LUROD	Outdoor Wet Location Remote, Double Head, White
LUROSB	Outdoor Wet Location Remote, Single Head, Black
LURODB	Outdoor Wet Location Remote Double Head, Black

\*Powered by LUMEL Emergency Light with Remote Capacity

#### Indoor Remotes



LURIS

LURID

#### Outdoor Remotes



LUROD

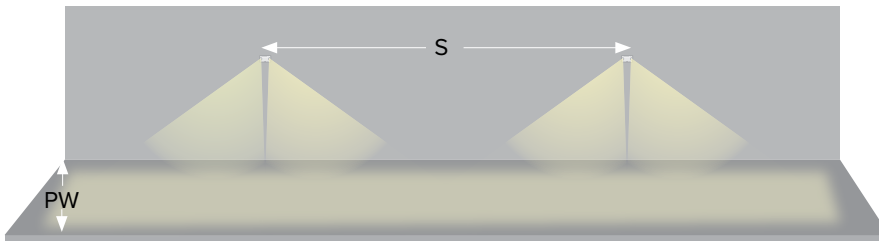
LUROS



LUROD

LUROS

### APPLICATION INFORMATION



1 fc Average	
Path Width (PW)	Spacing (S)
6'	16'

Note: Meets Life Safety Code minimum illuminance of 0.1 fc and average illuminance of 1.0 fc. Assumes open space with no obstructions, ceiling height of 9' and reflectances of 80/50/20. Photometry files available on the Lumination website