

Project Name _____

Catalog No. _____ Date _____



The Cat5e/6 enabled Low Voltage Switches are designed primarily for applications where flying leads are not desired in the field. The soft contours of this aesthetically pleasing design fits easily into any decor. This switch is only available as a momentary version and is suitable for use with NX, CX and even the Current power packs so long as the connections to the category cable are terminated per instructions and the pin-out guidelines set.

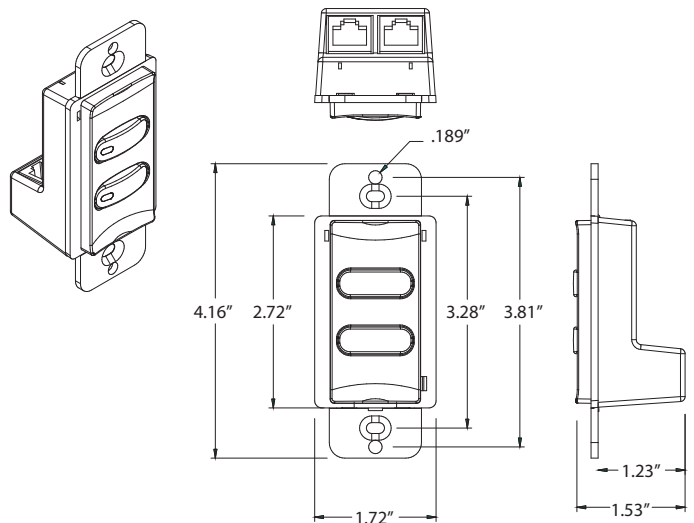
Product Features

- Attractive, architecturally pleasing design
- Momentary button action
- 2 and 3 buttons with Pilot Light
- Mounts to standard single-gang box
- Use standard decorator wall plates (order separately)
- Connect using Cat5e/6 cables
- Low voltage device: 24 VDC
- Five-year limited warranty

Compliance and Certification



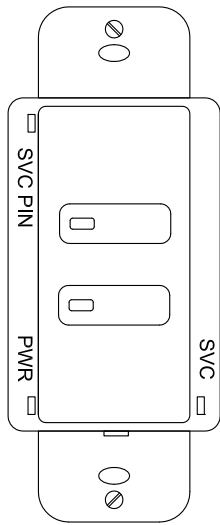
Dimensional Data



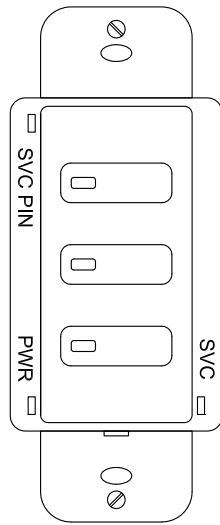
Ordering Information

SWITCH MODEL	SWITCH TYPE	NUMBER OF BUTTONS	COLOR
LVS	RJ45 RJ45 Enabled	2 with Pilot LEDs 3 with Pilot LEDs	WH White

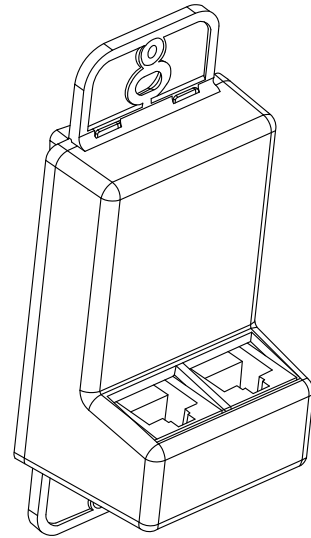
*NXPBAR denotes two (2) barriers



LVSRJ45-2 Switch Station
(Front)

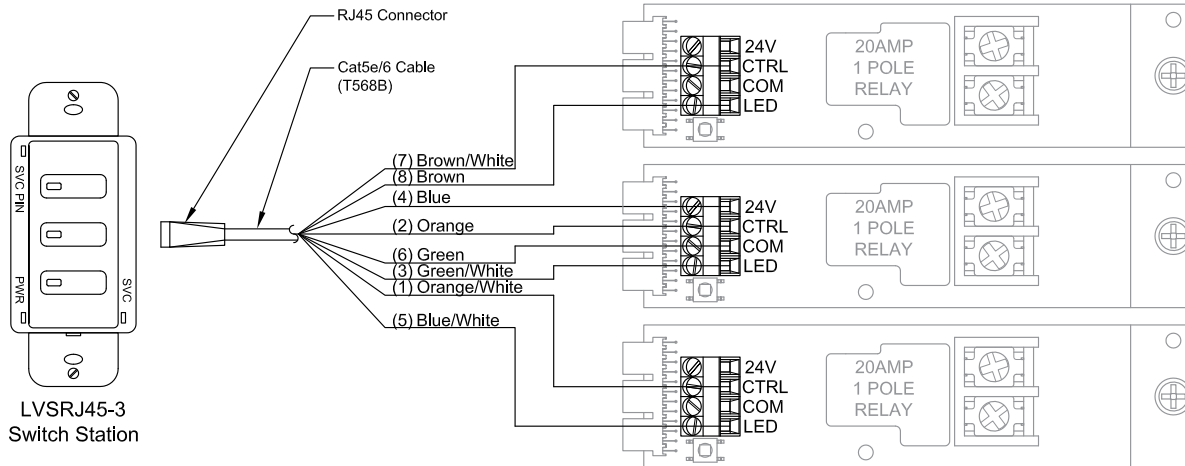


LVSRJ45-3 Switch Station
(Front)



LVSRJ45-x Switch Station
(Back)

Wiring Diagram



Connections to CX
Relay inputs

General Specifications

Electrical Ratings	Each switch: 100mA @ 30VDC Max Each pilot LED: 18-30VDC, internal 2.2kohm, ½ Watt resistor
Configurations	2 and 3 buttons, with pilot LED Momentary
Operating environment	Indoor use only Operating temperature: 32° to 122°F (0° to 50°C) Relative humidity (non-condensing): 10%-90%
Construction	Housing – Rugged, high-impact, injection-molded plastic 2 - RJ45 ports on rear
Dimensions	1.88"W x 4.25"H x 1.56"D (47.75mm x 107.95mm x 39.63mm)
Weight	3.0 oz [85.0 g]
Mounting	Single-gang NEMA-style switch box (average switch box) Decorator-style wall plate not included
Warranty	Five-year limited