

DATE: _____ LOCATION: _____
 TYPE: _____ PROJECT: _____
 CATALOG #: _____

LIGHTSCAPER®

LSP-LSCS SERIES - FLOODLIGHT

FEATURES

- Architectural Form Factor perfect for illuminating signage, building façade or landscapes
- Field Selectable CCT (3K, 4K, 5K) and Lumens (1000lm, 2000lm)
- Wide 7x6 distribution
- Standard Knuckle Mount
- 120-277 Volt
- Standard Bronze Finish
- Low Wattage, Low Lumen Flood



tradeSELECT®



SPECIFICATIONS

CONSTRUCTION

- Rugged die-cast aluminum housing
- Tempered Glass lens
- Lumen and CCT switches are accessible without removing any hardware, making it easy to adjust the product even after installation
- Dark bronze matte texture powder coat paint finish provides durable and lasting appearance

OPTICS

- CCT Selectable-3K, 4K, 5K
- Wide lens covers set back distance with uniform light
- 1000/2000 Lumens
- Efficacy up to 128 LPW

INSTALLATION

- Knuckle mount: Universal ½" 14 NPS swivel knuckle has serrated teeth for sure aiming

ELECTRICAL

- 0-10 Volt Dimming Driver
- Lumen and CCT Switchable
- Universal voltage driver is 120-277 Volt
- Ambient Operating Temperature -40°C to 40°C
- 3 kV Surge

CERTIFICATIONS

- DLC® (DesignLights Consortium) Qualified. Please refer to the DLC (DLC) premium qualifications, consult DLC website for more details: <http://www.designlights.org/QPL>
- Listed to UL1598 for use in wet locations
- IP66
- FCC Title 47 Part 15

WARRANTY

- 5 year warranty

ORDERING GUIDE

STOCK ORDERING INFORMATION

Catalog Number	Mounting	CRI	CCT	Lumens	Distribution	Wattage	Voltage	LPW	Finish
LSP-LSCS	Knuckle	70	3000K/4000K/ 5000K	984-2009	Wide	8-16	120-277V	116-128	Bronze

KEY DATA	
Lumen Range	984–2009
Wattage Range	8–16
Efficacy Range (LPW)	116–128
Fixture Projected Life (Hours)	>60K
Weights lbs. (kg)	3.42 (1.55)

LIGHTSCAPER

LSP-LSCS SERIES - FLOODLIGHT

PERFORMANCE DATA

Description	Nominal Wattage	Dist. Type	Field Angle H x V	5K (5000K NOMINAL 70 CRI)			4K (4000K NOMINAL 70 CRI)			3K (3000K NOMINAL 70 CRI)		
				Lumens	LPW	Max Beam Candlepower	Lumens	LPW	Max Beam Candlepower	Lumens	LPW	Max Beam Candlepower
LSP-LSCS	8	7 X 6	146 x 122	1025	126	541	1015	128	547	984	122	540
	16	7 X 6	146 x 122	2009	120	1050	1991	125	1081	1906	116	1044

ELECTRICAL DATA

Nominal Wattage	Input Voltage	Oper. Current (Amps)	System Power (Watts)
LSPS	120	0.07	8.1
	208	0.04	
	240	0.03	
	277	0.03	
	120	0.14	16.5
	208	0.08	
	240	0.07	
	277	0.06	

PROJECTED LUMEN MAINTENANCE

Ambient Temperature	OPERATING HOURS					
	0	25,000	TM-21-11 36,000	50,000	100,000	L70 (Hours)
25°C / 77°F	1.00	0.94	0.92	0.89	0.79	152,000
40°C / 104°F	0.99	0.93	0.91	0.88	0.78	149,000

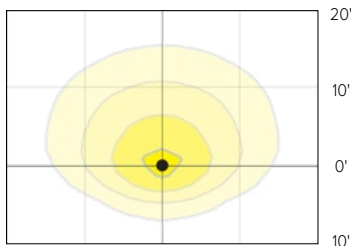
LUMINAIRE AMBIENT TEMPERATURE FACTOR (LATF)

Ambient Temperature		Lumen Multiplier
30°C	86°F	0.99
10°C	50°F	1.01
20°C	68°F	1.00
25°C	77°F	1.00
30°C	86°F	0.99
40°C	104°F	0.98
30°C	86°F	0.99

Use these factors to determine relative lumen output for average ambient temperatures from 0-40°C (32-104°F).

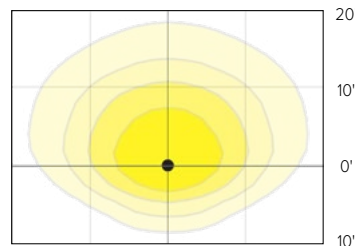
PHOTOMETRY

LSP-LSCS-4K-1000



Mounting Distance: 15'
Tilt Angle: 20°

LSP-LSCS-4K-2000

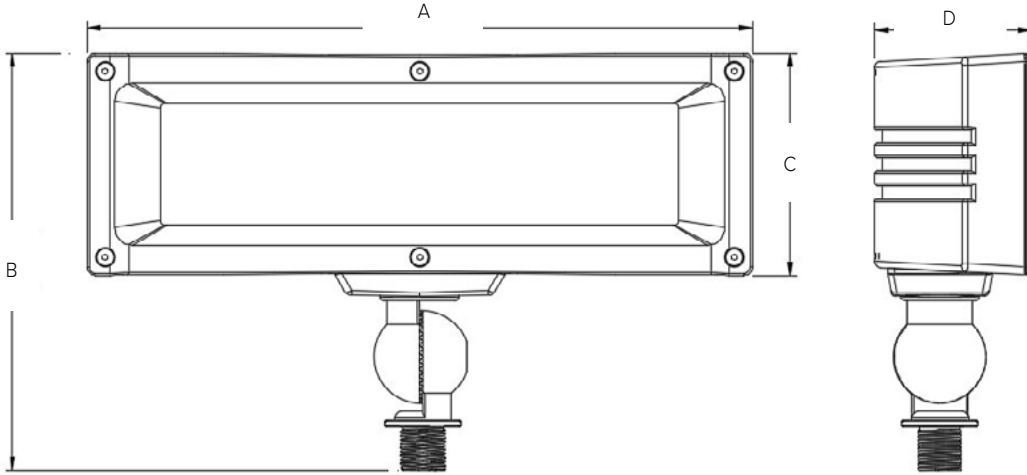


Mounting Distance: 15'
Tilt Angle: 20°

LIGHTSCAPER

LSP-LSCS SERIES - FLOODLIGHT

DIMENSIONS



A	B	C	D	Weight
12" (304.69mm)	7.5" (190.85mm)	4" (101.49mm)	2.83" (71.88mm)	4.42lbs (1.55kg)



Color temperature and lumen switches are controlled by rocker switches located on the exterior of the product so no tools are needed to utilize these features.

USE OF TRADEMARKS AND TRADE NAMES

All product and company names, logos and product identifies are trademarks™ or registered trademarks® of Current or their respective owners. Use of them does not necessarily imply any affiliation with or endorsement by such respective owners.