

DATE: \_\_\_\_\_ LOCATION: \_\_\_\_\_  
 TYPE: \_\_\_\_\_ PROJECT: \_\_\_\_\_  
 CATALOG #: \_\_\_\_\_

# MARSHAL LED TWIN

LED FIXTURE

tradeSELECT®

## FEATURES

- Attractive security floodlight improves safety and replaces bulky outdated fixtures
- Powerful LED system saves energy and maintenance over traditional lighting sources
- Includes adjustable settings for time, sensitivity, and distance
- Aimable PIR occupancy sensor has 180° coverage, perfect for outdoor applications
- CSA listed to UL1598 for use in wet locations



## SPECIFICATIONS

### CONSTRUCTION

- Die cast aluminum heads and mounting plate
- Mounting plate has 1/2" threaded hubs
- Tempered glass lenses
- UV resistant occupancy sensor
- 2 adjustable 1000 lumen LED heads
- Available in Dark Bronze or White finish

### OPTICS

- Replaces twin 150w incandescent lamps
- Each floodlight head has a 6x6 distribution

### INSTALLATION

- Mounts to 4" junction box and includes a gasket to seal electrical connections
- Easy 4 step installation and wiring
- Two 1/2" threaded conduit hubs for surface conduit provided

### ELECTRICAL

- 120V/60Hz LED

### CONTROLS

- Adjustable PIR occupancy sensor
- PIR occupancy sensor has 180 degree coverage
- Programmable settings include time, sensitivity, distance

### CERTIFICATIONS

- CSA listed to UL1598 for use in wet locations
- Heads NEMA 3R

### WARRANTY

- 5 year warranty

KEY DATA	
Lumen Range	2104
Wattage Range	26.6W
Efficacy Range (LPW)	79
Weights lbs. (kg)	2.2 (1)

## STOCK ORDERING INFORMATION

Catalog Number	Mount	Color	Beam Pattern	Wattage	Voltage	CCT/CRi	Lumens	LPW	Weight lbs. (kg)
ML-2L3K-1-DB	Ceiling/Wall	Dark Bronze	General	26.6w	120V	3000K/83	2104	79	2.2 (1)
ML-2L3K-1-WH	Ceiling/Wall	White	General	26.6w	120V	3000K/83	2104	79	2.2 (1)

# MARSHAL LED TWIN

LED FIXTURE

## PERFORMANCE DATA

# of LEDs	Drive Current	System Watts	3K (3000K nominal, 80 CRI)	
			Lumens	LPW <sup>1</sup>
2	0.22	26.6	2090	80.2

<sup>1</sup> Lumen values are from photometric tests performed in accordance with IESNA LM-79-08. Data is considered to be representative of the configurations shown. Actual performance may differ as a result of end-user environment and application

## ELECTRICAL DATA

# OF LEDS	Drive Current (mA)	Input Voltage (V)	Oper. Current (Amps)	System Power (Watts)
2	0.22	120	0.994	26.6

## PROJECTED LUMEN MAINTENANCE

Ambient Temp.	Operating Hours					L70 (hours)
	0	25,000	TM-21-111 L90 36,000	50,000	100,000	
25°C / 77°F	1.00	0.93	0.90	0.86	0.75	> 125,000
40°C / 104°F	0.99	0.90	0.86	0.81	0.67	> 88,000

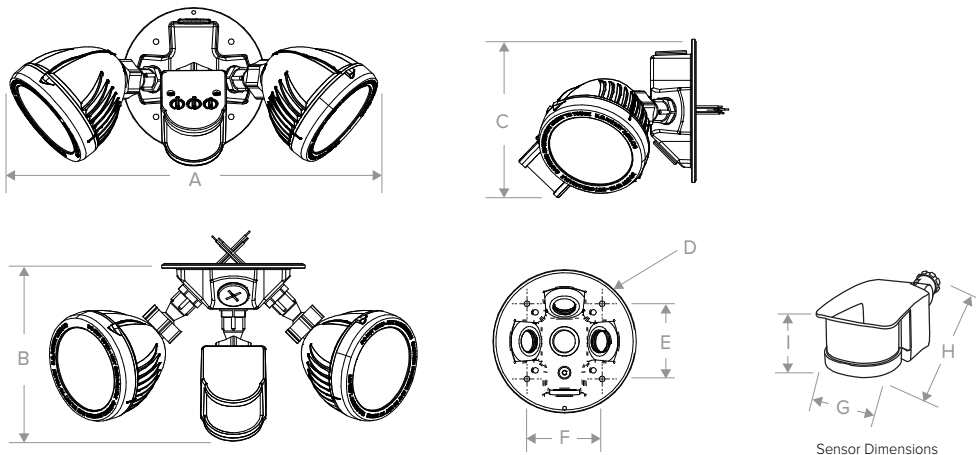
<sup>1</sup> Projected per IESNA TM-21-11 (\*Cree XP-L, 2100A, 105°C Ts, 6,000hrs)

## LUMINAIRE AMBIENT TEMPERATURE FACTOR (LATF)

AMBIENT TEMPERATURE		LUMEN MULTIPLIER
0° C	32° F	1.06
10° C	50° F	1.03
20° C	68° F	1.01
25° C	77° F	1.00
30° C	86° F	0.99
40° C	104° F	0.97

Use these factors to determine relative lumen output for average ambient temperatures from 0-40°C (32-104°F)

## DIMENSIONS



A	B	C	D	E	F	Weight	G	H	I
12.75" 323 mm	6.5" 165 mm	5.00" 127 mm	4.81" 122 mm	2.52" 64 mm	2.52" 64 mm	2.2 lbs. 1 kg	0.25" 60 mm	6" 152 mm	0.25" 47 mm

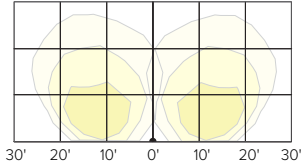
# MARSHAL LED TWIN

LED FIXTURE

## PHOTOMETRY

The following diagrams represent the general distribution options offered for this product.

Marshal – Mounting Height: 10ft



## ADDITIONAL INFORMATION

### SENSOR ADJUSTMENTS



Includes adjustable settings and photo control

- Time
- Sensitivity
- Distance

### SHIPPING INFORMATION

Catalog Number	G.W(kg)/CTN	Carton Dimensions		
		Length Inch (cm)	Width Inch (cm)	Height Inch (cm)
ML-2L	3.4 lbs (1.5)	10.75" (27.3)	7.75" (20.7)	6.5" (16.5)