

NX Connect Wireless Controls

NXC-WWD2-4 Wireless Scene Switch

DESCRIPTION

The Wireless Scene Switch (NXC-WWD2-4) is part of the NX Connect Wireless Controls product portfolio. NX Connect Wireless Controls provide a simple room-based wireless solution to address and transform spaces into intelligent environments for buildings of all sizes.

PRODUCT OVERVIEW

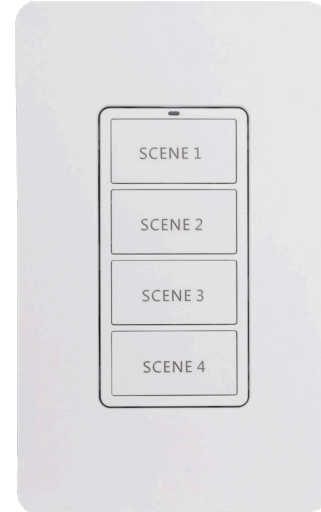
The NXC-WWD2-4 is a battery-powered 4-button scene switch that takes the place of a standard wall switch. Using wireless communications, this switch can be programmed to set scene levels, and can be used to turn lights on or off.

Installation is quick and easy without the need for any wires, plenum access or wall cavity, while its sleek, low-profile design will complement any office or commercial environment.

- Suitable for many applications, including commercial office, education, healthcare and retail
- Simple wall mount
- Slim form factor
- Completely wireless installation, communicates to NX Connect room devices and NX Connect enabled luminaires

KEY FEATURES AND BENEFITS

- Intuitive personal controls providing four scene selections.
- Provides 3-way capability. Maximum 5 switches can be installed per room.
- Decorator style
- Completely wireless installation. Communicates to NX Connect Wireless Controls, nodes and devices
- Simple in-wall or surface mount options
- 5-year battery operation



4-BUTTON WALL DIMMER (NXC-WWD2-4SM & NXC-WWD2-4IW)

Mounting

- Surface mount (NXC-WWD2-4SM)
 - Flexible mounting options (i.e. Entrance, workstation, podium, conference table)
- Recess Mount (NXC-WWD2-4IW)
 - Retrofit mounting in junction boxes
 - Ability to gang switches

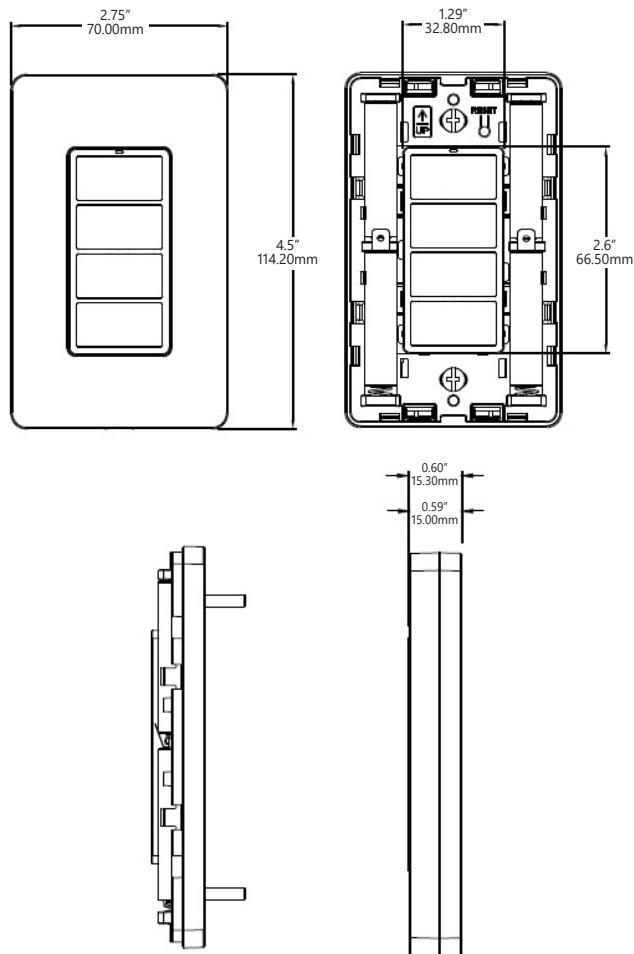
Commissioning

- NX Connect mobile commissioning app for Zonal Room Based Control (app available on Apple® App Store)

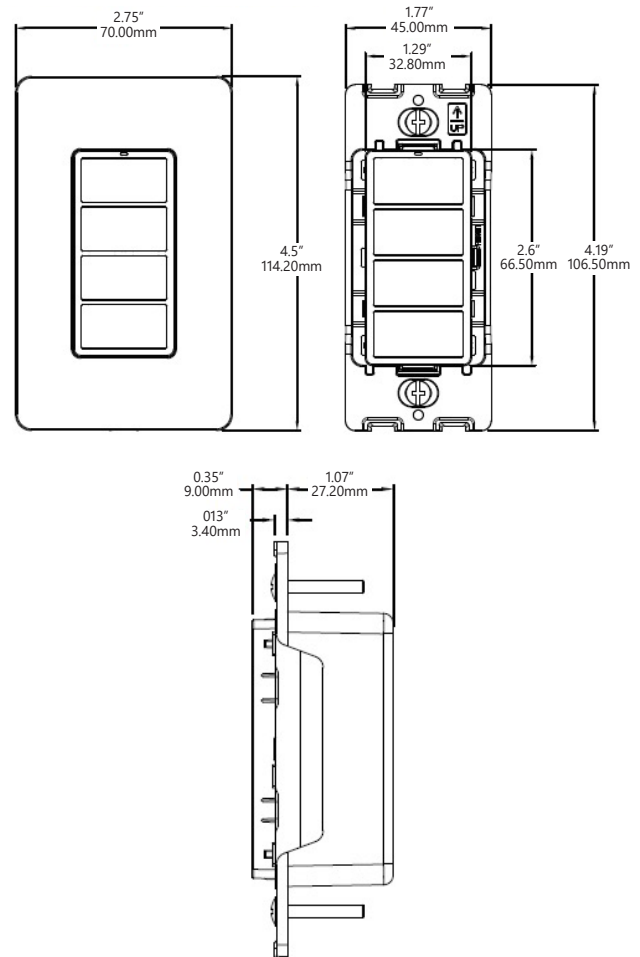
NX Connect Wireless Controls

NXC-WWD2-4 Wireless Scene Switch

NXC-WWD2-4SM



NXC-WWD2-4IW



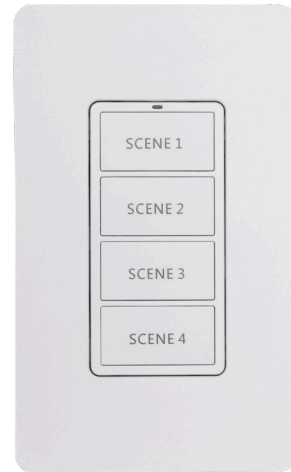
Specifications	NXC-WWD2-4SM	NXC-WWD2-4IW
Dimensions	114mm H x 70mm W x 15mm D	114mm H x 70mm W x 36mm D
Weight	130g	130g
Power Supply	(4) AAA 1.5V battery	(4) AAA 1.5V battery
Battery Life	5 year (normal operation)	5 year (normal operation)
Operating Environment	-10°C to 40° (Indoor Use Only)	-10°C to 40° (Indoor Use Only)
Status Indicator	Networked joined/Button triggered	Networked joined/Button triggered
Mounting	Surface mounted, screw hole in backplate, cover can be removed, handheld	Mounts into junction box
Warranty	5 year limited warranty	5 year limited warranty

NX Connect Wireless Controls

NXC-WWD2-4 Wireless Scene Switch

NX Connect wireless lighting controls sensors are available integrated and preinstalled in many Current lighting fixtures. Any 0-10V lighting fixture can be enabled with NX Connect NXC-WA200 Series Room Controllers through the NX Connect mobile commissioning app.

For a complete list of Current fixtures with integrated NX Connect sensors, look for the visit currentlighting.com.



ORDERING INFORMATION

SKU	Product Description
NXC-WWD2-4SM	NX Connect Wireless 4-button Surface Mount Dimmer Switch
NXC-WWD2-4IW	NX Connect Wireless 4-button Wall Mount Dimmer Switch
NXC-WWD2-4BN-BLANK	Blank button caps for NXC-WWD2-4 Dimmer Switches
NXC-WWD2-4BN-PRNT	Custom printed button caps for NXC-WWD2-4 Dimmer Switches

PRODUCT CERTIFICATIONS



Operating Control
E486320



FCC ID: 2AS3F-WWD2SM
IC: 25008-WWD2SM

FCC ID: 2AS3F-WMD2IW
IC: 25008-WMD2IW



BUTTON FUNCTIONALITY

Four Scene Personality	
 First Button Short press Double short press Hold	SCENE 1 turns ON
 Second Button Short press Double short press Hold	SCENE 2 turns ON
 Third Button Short press Double short press Hold	SCENE 3 turns ON
 Fourth Button Short press Double short press Hold	SCENE 4 turns ON

LED INDICATOR

Rapid flash (12 times per second) for up to 30 seconds	Device is trying to join a network
Solid ON for 10 seconds	Device successfully joined a network
Flashes once (100ms duration)	Device has been activated while in the network
Flashes ON 2 seconds every 30 seconds	Batteries need to be replaced
Flashes twice (100ms duration)	Device has entered dual zone personality mode
Flashes four times (100ms duration)	Device has entered four scene personality mode