

NX Connect Wireless Controls

NXC-WOS3-PC Wireless Ceiling
Mounted PIR Occupancy and Photocell Sensor

DESCRIPTION

The NXC-WOS3-PC Wireless Ceiling Sensors provide zonal room control in commercial application spaces. The NXC-WOS3-PC ceiling sensor can command any 0-10V fixture via the NXC-WA200 Series Room Controllers.

These PIR occupancy sensors communicate wirelessly to other NX Connect Devices to adjust light levels based on occupancy. The NXC-WOS3-PC has an integrated photocell to take advantage of Daylight Harvesting and can dim lights based on light levels provided from ambient lighting for additional energy savings and energy code compliance. The NXC-WOS3-PC communicates via wireless mesh to NXC-WA200 Series room controllers and Current integrated fixtures to turn off or dim loads based on occupancy.

- Up to 50% additional energy savings across lighting, plug load control and more
- Secure wireless communication between lighting sensors, adapters, wall controls and plug loads
- Wireless devices provide fast installation
- Communicates to NX Connect enabled devices
- Can be commissioned via the NX Connect mobile app for room based control

PRODUCT OVERVIEW

NX Connect Wireless controls provide a simple and intuitive wireless solution to address and transform spaces into intelligent environments for buildings of all sizes.

The NX Wireless Battery-Powered Ceiling Mounted Occupancy and Daylight Sensor may be deployed in a NX Connect application. The NXC-WOS3-PC devices are designed for ceiling installation on suspended ceiling tiles, or to drywall. This device is designed for energy savings based on space occupancy status and ambient light level. The communication with the NX Connect system utilizes a secure and reliable wireless connection which helps minimize installation costs and complexity.



KEY FEATURES AND BENEFITS

- Wireless design allows fast installation
- Compact design
- Works in NX Connect
- 750 sq. ft coverage pattern
- Provides energy code compliance
- 8 year battery life

COMMISSIONING OPTIONS

- NX Connect mobile app for zonal room based control with NXC-WA200 Series Room Controllers (app available on Apple App Store)

NX Connect Wireless Controls

NXC-WOS3-PC Wireless Ceiling
Mounted PIR Occupancy and Photocell Sensor

PRODUCT OPERATION

Button Functionality

	Reset Button	
	Short Press	Installation Test Mode ON (5 minute duration)
	Double Short Press	Enable/Disable LED Indicator
	Hold 5 Seconds	Reset to Factory default

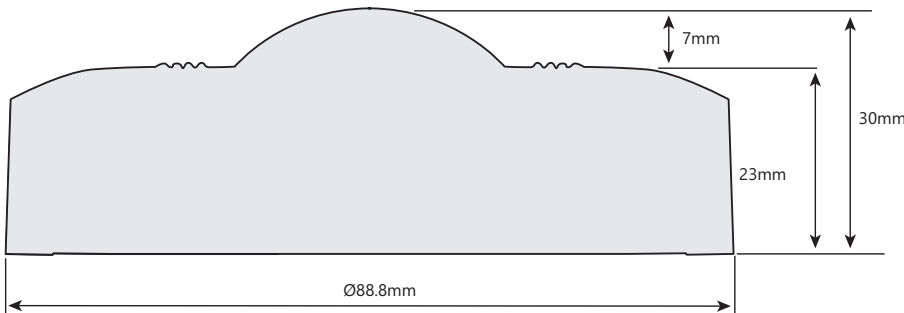
LED Behavior (Red)

Rapid Flash (12 times per second) for up to 30 seconds	Device is trying to join a ZigBee network
Solid ON for 10 Seconds	Device successfully joined a ZigBee network
Flashes twice (100ms duration each)	The LED Indicator has been disabled by a quick double press of the reset button
ON for 2 seconds every 30 seconds	Low battery alert

LED Behavior (Green)

Flashes once (100ms duration)	Indication that occupancy has been detected. During normal operation, the green LED shall not flash more than once per minute to indicate occupancy.
Flashes twice (100ms duration each)	The LED Indicator has been enabled by a quick double press of the reset button
Rapid flash (12 times per second) for up to 30 seconds	The device has been identified on a network

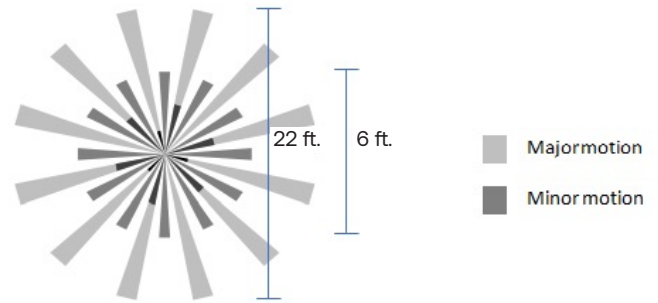
PRODUCT DIMENSIONS



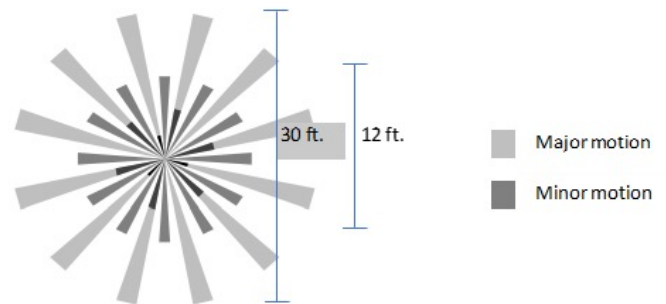
COVERAGE PATTERN

Standard Coverage (at 11 ft. w/o masking)

Lowest sensitivity: 500 sq. ft.



Extended Coverage (at 11 ft.) Highest sensitivity: 750 sq. ft.



PIR Sensor coverage tested as defined in NEMA WD7-2011

MASKING OPTIONS

NXC-WOS3-PC comes with 2 masking options for 50% coverage or coverage for aiseways. Masking rings simply remove by aligning the arrows on the device.

Simply twist appropriate masking into place.



NX Connect Wireless Controls

NXC-WOS3-PC Wireless Ceiling
Mounted PIR Occupancy and Photocell Sensor

SPECIFICATIONS

Dimensions:	89mm D x 30mm H
Weight:	81g (without battery)
Power Supply:	(2) CR14505 3V Lithium Battery
Battery Life:	8 Years (normal operation)
Operating Environment:	-10°C to +40°C (Indoor use only)
Status Indicator:	Network join status, Occupancy detected
Mounting:	Screw Mounted
Warranty:	5 year limited warranty
FCC/IC IDs:	FCC ID: 2AS3F-WOS3 IC: 25008-WOS3 FCC ID: 2AS3F-WOS3PC IC:25008-WOS3PC

ORDERING INFORMATION

Product Description	Model Number
NX Connect Ceiling Mounted Occupancy Sensor and Photo Sensor	NXC-WOS3-PC

PRODUCT CERTIFICATIONS

