

# NXOFM2

NX ON-FIXTURE MODULE

## FEATURES

- Designed for installation on the exterior of the luminaire housing
- NEMA standard male 7-pin twist lock connection
- Integral relay for On/Off control
- Single 0-10V interface for full range dimming control
- Integrated 2.4GHz Wireless Mesh and Bluetooth radio for easy commissioning and communication
- Integrated photocell for daylight harvesting application
- Integral astronomical timeclock for running scheduled events
- Auxiliary input for external control
- Device configuration through NX Lighting Controls Mobile App and NX Site Manager
- Five-year limited warranty



## SPECIFICATIONS

### CONSTRUCTION

- Housing: UV Stable - GSM UL Rated 94 HB Plastic
- Color: Black
- Weight: 6.6 oz (187 g)
- Dimensions: 3.52" D x 4.23" H (89.5mm D x 107.5mm H)

### MOUNTING

- Mounts to standard NEMA C136.10/C136.41 receptacle

### ELECTRICAL

- Input:
  - 120-480VAC, 50/60Hz
- Output:
  - 10A, Tungsten, 120VAC
  - 5A, Standard Ballast, 120-347VAC
  - 5A, Electronic Ballast, 120-277VAC
  - 3A, Standard Ballast, 347VAC-480VAC

### ELECTRICAL (CONTINUED)

- Surge/In-rush:
  - Surge Protection: 10kV Max
  - Peak In-rush: 160A for 2ms Max
- Low Voltage Output:
  - 12VDC, 100mA, Isolated, and Short Circuit Protected
- Dimming:
  - 0-10V, 50mA, Current Sink
- Power Metering:
  - NXOFM2 is factory calibrated to provide power metering accuracy of +/- 5% (Rating assumes standard load within specified voltage and temperature rating for NXOFM2; all values provided in Watts)

### OPERATING ENVIRONMENT

- Operating Temperature: -40° to 158°F (-40° to 70°C)
- Relative Humidity (non-condensing) 0% to 95%
- IP65 Rated

### WIRELESS

- 2.4GHz: IEEE 802.15.4 based
- Bluetooth Version V5.2 (Range: up to 50ft clear line of sight)
- Radio Range: ~300ft (91m) Note: Range Based on Clear Line of Sight
- Recommended Deployment Practice: Located at Least Three Radios within a 300ft Radius for Most Reliable Performance

### PROGRAMMING INTERFACE

- NX Lighting Controls Mobile App
- NX Area Controller with Site Manager (NXAC2-120-SM) for Network Applications

### CERTIFICATIONS

- cULus Listed
- Complies with FCC Part 15.247
  - FCC ID: YH9NXOFM2
  - IC: 9044A-NXOFM2

### WARRANTY

- 5-year limited warranty
- See website for additional information

## ORDERING GUIDE

Example: NXOFM2-1R1D-UNV

CATALOG #

NXSMP2

Series

NXOFM2 NX On-Fixture module

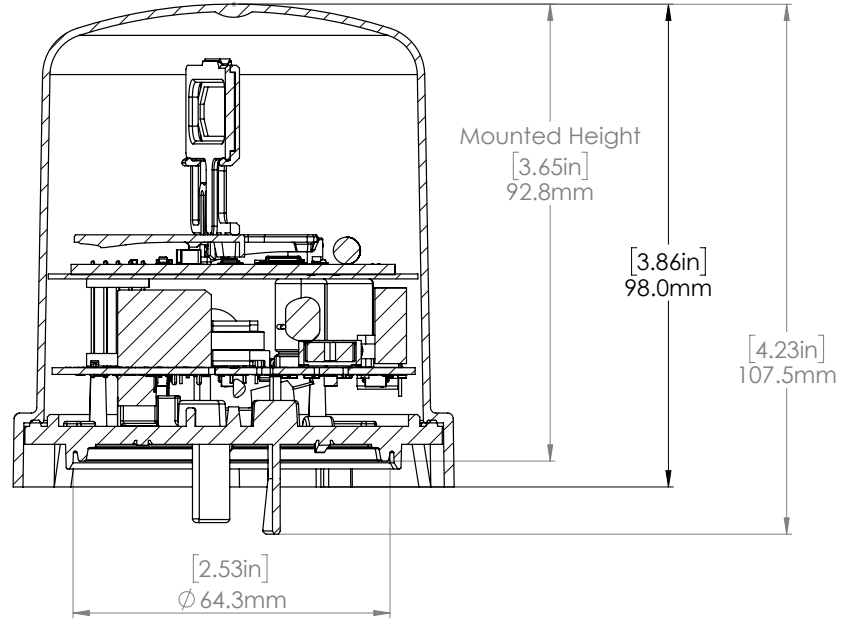
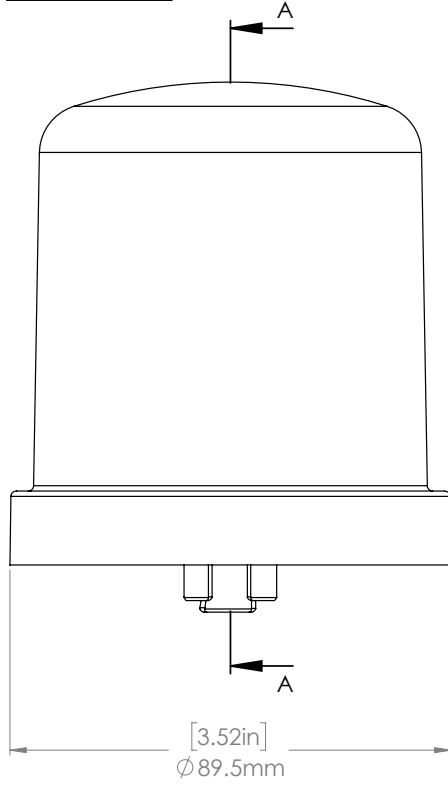
Model

1R1D-UNV 1 Relay 1 Dimmer, Universal Voltage (120V-480V)

# NXOFM2

NX ON-FIXTURE MODULE

## DIMENSIONS



## ADDITIONAL INFORMATION

### WIRING DIAGRAM

