

# NXSMDT Series

INDOOR CEILING MOUNT SENSOR - OMNI

## FEATURES

- Integrated 2.4GHz Wireless Mesh and Bluetooth radio for easy commissioning and communication
- Digitally configurable Dual Technology Ultrasonic (US) and Passive Infrared (PIR) detection technologies
- Adjustable coverage area up to 2,000 square feet
- Integrated Hybrid Daylight Sensor for daylight harvesting
- Device configuration through NX Lighting Controls Mobile App and NX Area Controller
- Patented IntelliSCOPETM technology enabled providing real time visibility of motion (US and PIR) for improved accuracy of sensor sensitivity and time delay adjustments
- Simple plug-and-play connection to NX Room Controllers
- Five-year limited warranty



## SPECIFICATIONS

### CONSTRUCTION

- Housing: Rugged injection molded plastic, Polylac FR-ABS, (UL-94 5VA) flame class rating
- Color: White, Black, Gray
- 5.0oz (141.7g)
- Dimensions: 4.0" (101.60mm) W x 1.5" (38.10mm) H

### MOUNTING

- Mounting base provided
- Recommended Mounting Height: 8 ft (2.44m) with a max mounting height of 12ft (3.66m)

### ELECTRICAL INPUT

- Input Voltage: 12-24VDC supplied by NX Room Controller (p/n NXRCFX2 - not included)
- Power Consumption: 55mA

### OPERATING ENVIRONMENT

- Rated for Indoor Use Only
- Operating temperature: 32°F to 104°F (0°C to 40°C)
- Relative humidity (non-condensing) 0% to 95%

### WIRELESS

- 2.4GHz: IEEE 802.15.1 based
- Bluetooth® Version V5.2

### SENSOR

- Detection Technology: Passive Infrared and Ultrasonic (Selectable)
- 1:2.75 Coverage Pattern (mounting height: coverage radius)
- Coverage: Adjustable up to 2,000 square feet
- Max Mounting Height 12ft
- LED Indicator (Red) indicates infrared motion detection
- LED Indicator (Green) indicates ultrasonic motion detection

### PROGRAMMING INTERFACE

- NX Lighting Controls Mobile App
- NX Area Controller (NXAC2) for Network Applications

### CERTIFICATIONS

- cULus Listed
- Complies with FCC Part 15.247
  - FCC ID: YH9NXSMDT-OMNI
  - IC: 9044A-NXSMDTOMNI

### WARRANTY

- 5 year limited warranty
- See website for additional information

# NXSMDT Series

INDOOR CEILING MOUNT SENSOR - OMNI

## ORDERING GUIDE

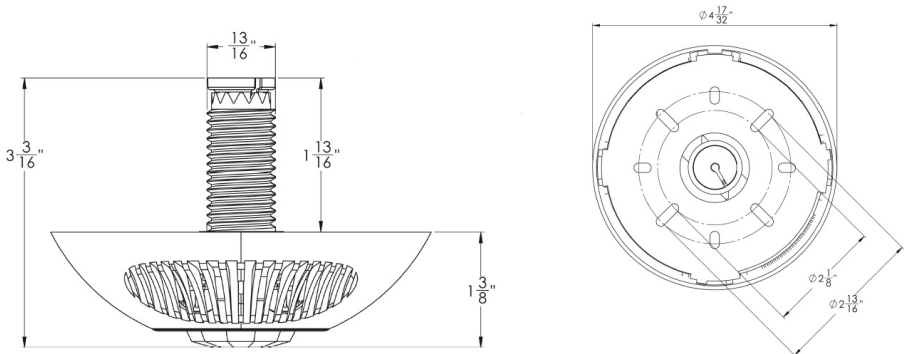
**Example: NXSMDT-OMNI-BK**

 CATALOG # 

| NXSMDT |   | OMNI  | Color        |                    |
|--------|---|---|--------------|--------------------|
| Model  |   | Sensor Type                                   |              |                    |
| NXSMDT | NX Digital Smart Occupancy Sensor, PIR and Ultrasonic, with Daylight Harvesting, Integrated Bluetooth, Dual RJ45 Smart Port | OMNI <sup>2</sup> Indoor Ceiling Mount Sensor | <b>Blank</b> | White              |
|        |   |   | <b>BK</b>    | Black <sup>1</sup> |
|        |   |   | <b>GY</b>    | Gray <sup>1</sup>  |

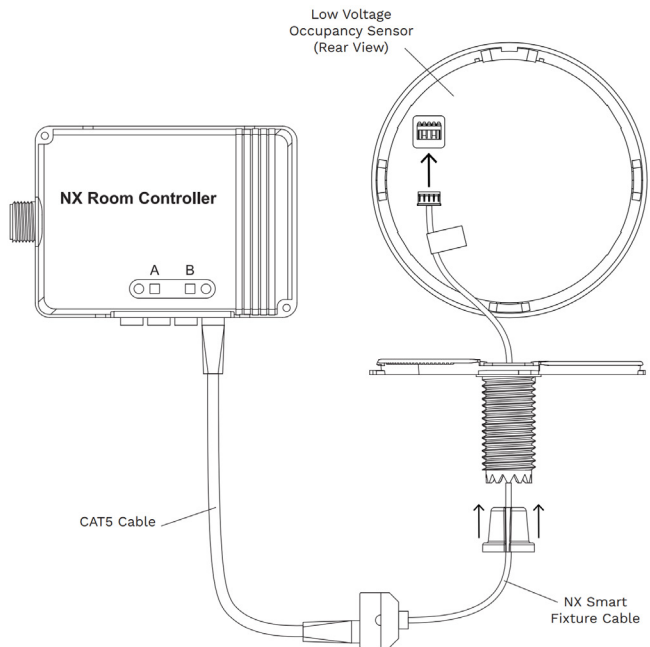
 1 – Made to Order Options; Consult Factory for Lead Times  
 2 – Dual RJ45 NXCBL Cable included with NXSMDT OMNI

## DIMENSIONS



## ADDITIONAL INFORMATION

### Wiring Diagrams

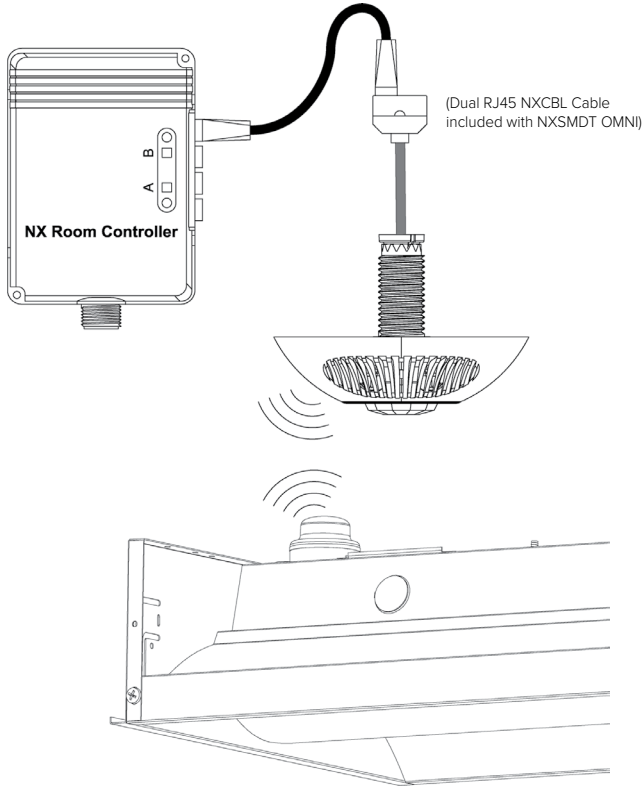

**NXSMDT-OMNI with NXRCFX2 Room Controller**

# NXSMDT Series

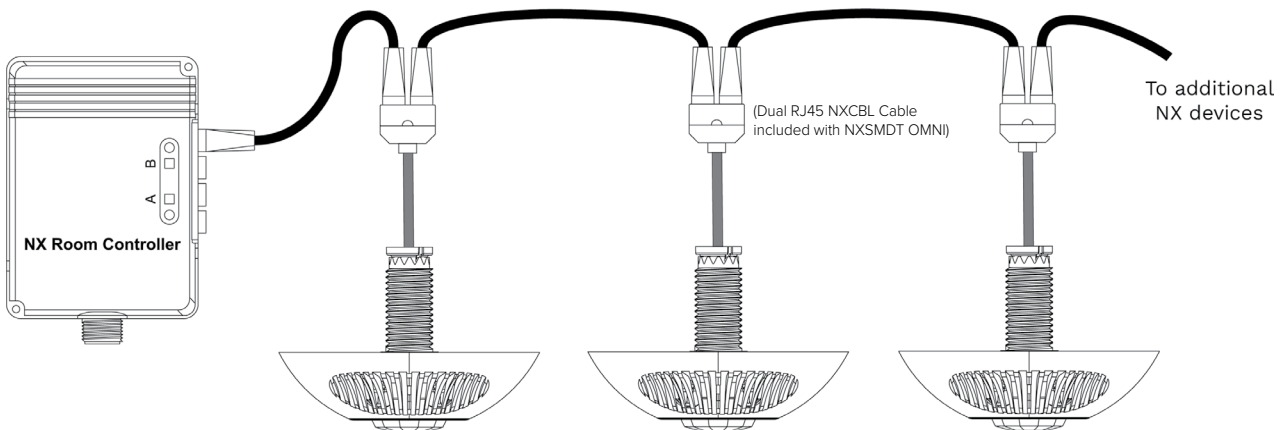
INDOOR CEILING MOUNT SENSOR - OMNI

## ADDITIONAL INFORMATION (CONTINUED)

### Wiring Diagrams (continued)



**NXSMDT-OMNI Wireless Configuration with NX Enabled Luminaires**



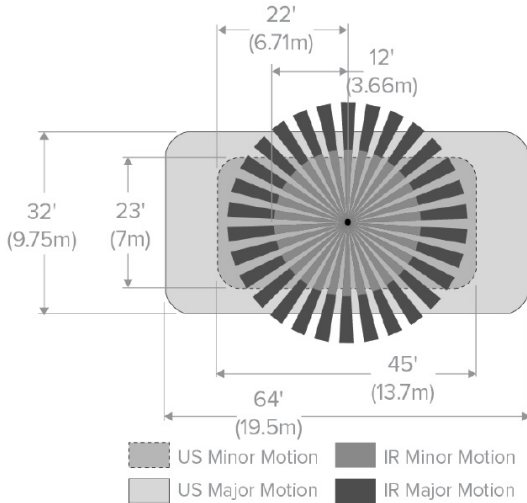
**NXSMDT-OMNI Wired Configuration with NX Room Controller and Multiple NXSMDT Sensors**

# NXSMDT Series

INDOOR CEILING MOUNT SENSOR - OMNI

## ADDITIONAL INFORMATION (CONTINUED)

### Coverage Pattern



**\*NOTE:** Coverage pattern dimensions shown is based on 2,000 sq ft. (Sensor coverage is adjustable)

### Default Settings

|                              |  |
|------------------------------|--|
| Occupancy Sensor Modes       | PIR & US; PIR Only; US Only; Default: PIR & US   |
| Occupancy Sensor Sensitivity | Levels 1 (Low) - 10 (High); Default: PIR 7, US 7   |
| Occupancy Sensor Timeout     | 1 Sec - 20 Minutes 59 Seconds; Default: 15 Minutes   |
| Occupied When                | Motion detected by PIR AND US; Motion detected by PIR OR US; Default: Motion detected by PIR AND US          |
| Unoccupied When              | No motion detected by PIR AND US; No motion detected by PIR OR US; Default: No motion detected by PIR AND US |
| Daylight Sensor Modes:       | Closed Loop Full Range Dimming; Closed Loop On/Off; On/Off; Disabled; Default: Disabled                      |
| Bluetooth Radio Modes:       | Enabled; Disabled; Default: Enabled  |
| LED Status Modes:            | Off; Passive Infrared (Red); Ultrasonic (Green); Both Enabled; Default: Both Enabled                         |
| Passcode                     | Enabled; Disabled; Default: Enabled (Factory Passcode: HubbN3T!)   |