

NXSMP2 Series

HIGH MOUNT INDOOR & OUTDOOR SENSOR - HMO

FEATURES

- Low profile architectural sensor that complement luminaire aesthetics
- Integrated 2.4GHz Wireless Mesh and Bluetooth for easy commissioning and communication
- PIR motion sensor for automatic On/Off control
- Integrated Hybrid Daylight Sensor for daylight harvesting
- Device configuration through NX Lighting Controls Mobile App
- Intelliscope enabled providing real time visibility of motion for improved accuracy of sensor sensitivity and time delay adjustments
- Simple plug-and-play connection to NX In-Fixture Modules
- IP65 rated for both indoor and outdoor use
- Optional aisle lens version
- Five-year limited warranty



SPECIFICATIONS

CONSTRUCTION

- Housing: ABS (UL-945VA) Flame Class Rating, UV Inhibitors
- Color: White, Gray, Black
- 3.2oz (90.7g)
- Overall Dimensions: 1.87" (47.50mm) H x 3.48" (88.39mm) W
- Mounting Barrel: 1.31" (33.27mm) H x 1.4" (35.56mm) W
- Complies for use in a plenum area
- IP65 Rated for Indoor and Outdoor use

MOUNTING

- Mounts directly in 1.5" diameter aperture, secured by supplied nut on threaded housing
- Recommended Max Outdoor Mounting Height: 40 ft. (12.19m)
- Recommended Max Indoor Mounting Height: 45 ft. (13.72m)

ELECTRICAL

- Input
- Input Voltage: 12-24VDC supplied by NXFM2 (NX Fixture Module)
 - Power Consumption: 30mA
 - Wiring: Uses NXCBL-XX

ELECTRICAL (CONTINUED)

Standby Power (W)

- 120VAC: 0.1W
- 277VAC: 0.1W
- 347VAC: 0.2W

OPERATING ENVIRONMENT

- Rated for Indoor and Outdoor Use
- Operating temperature: -40°F to 185°F (-40°C to 85°C)
- Relative humidity (non-condensing) 0% to 95%

WIRELESS

- 2.4GHz: IEEE 802.15.1 based
- Bluetooth® Version V5.2

SENSOR

- Detection Technology: Passive Infrared Sensor
- 1:1.4 Coverage Pattern Ratio from 16-30 ft. and 1:1.1 from 30-45 ft. (mounting height : coverage radius)
- Max Outdoor Mounting Height 40ft
- Max Indoor Mounting Height 45ft
- LED Indicator (Red) indicates occupancy detection

PROGRAMMING INTERFACE

- NX Lighting Controls Mobile App
- NX Area Controller (NXAC) for Network Applications

CERTIFICATIONS

- cULus Listed
- Complies with FCC Part 15.247
 - FCC ID: YH9NXSMP2
 - IC: 9044A-NXSMP2

WARRANTY

- 5 year limited warranty

NXSMP2 Series

HIGH MOUNT INDOOR & OUTDOOR SENSOR - HMO

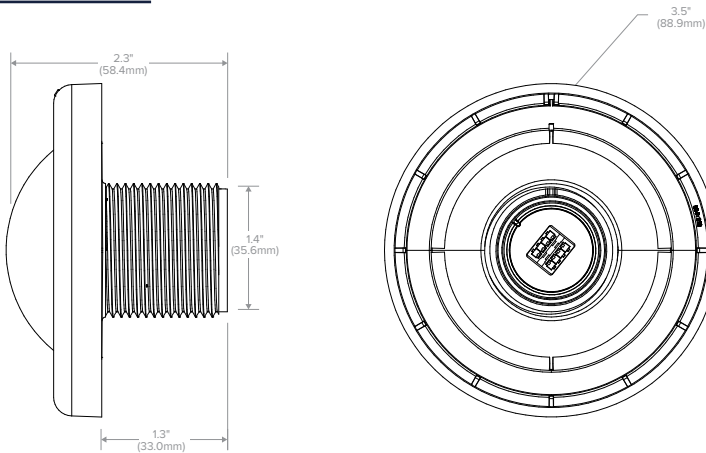
ORDERING GUIDE

Example: NXSMP2-HMO

CATALOG #

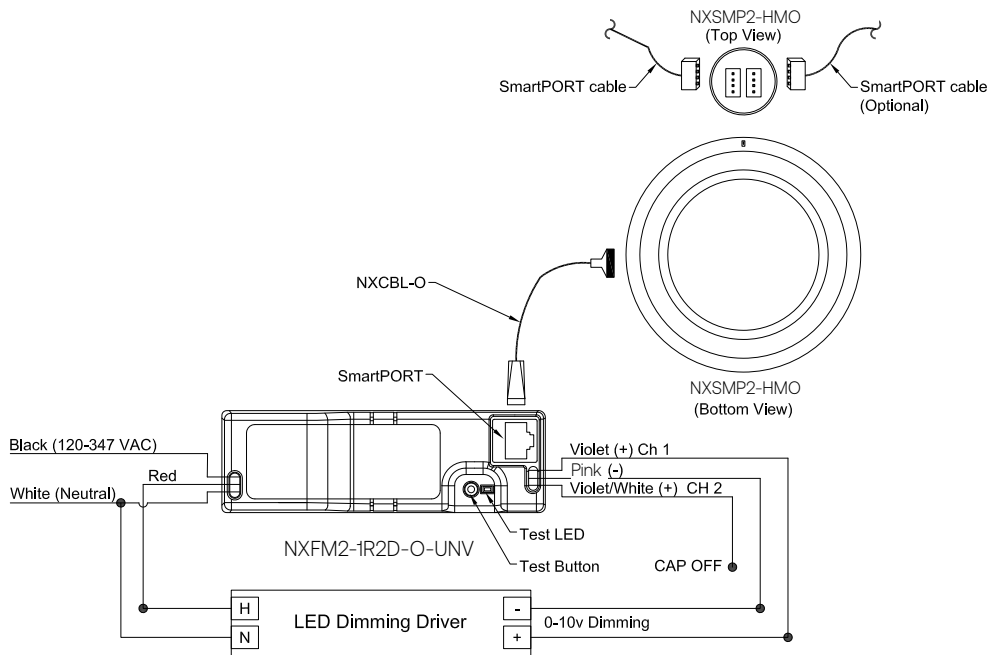
NXSMP2		Sensor Type	Color
Model			
NXSMP2	NX Digital Smart Sensor Gen 2 with Integrated Wireless, PIR and Daylight Harvesting	HMO High Mount Indoor/Outdoor Sensor HMO-A High Mount Indoor/Outdoor w/ Aisle Lens	Blank White BK Black GY Gray

DIMENSIONS



ADDITIONAL INFORMATION

Wiring Diagrams



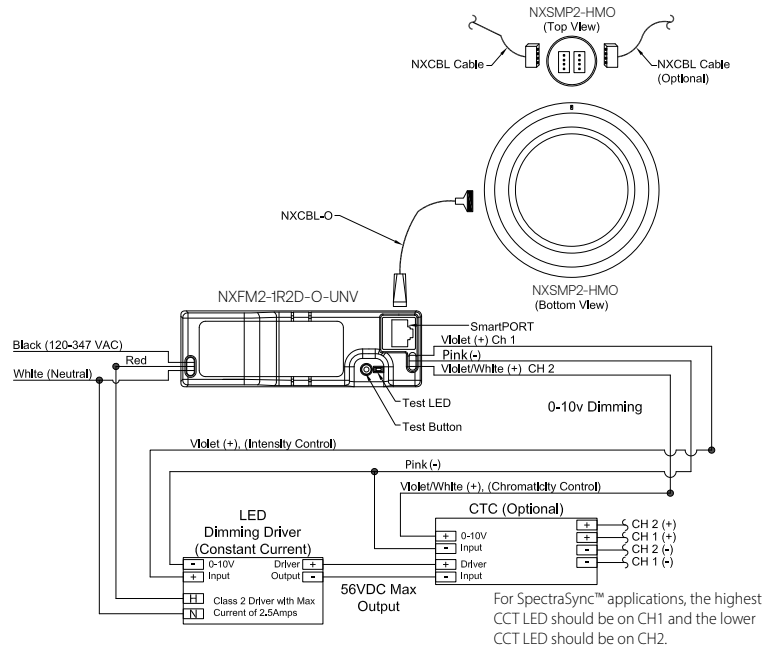
Pink wire replace previous gray wire. Unit with a gray instead of pink wire should be wired as the pink wire shown in the diagram.

NXSMP2 Series

HIGH MOUNT INDOOR & OUTDOOR SENSOR - HMO

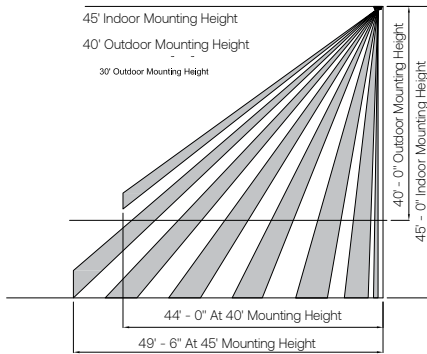
ADDITIONAL INFORMATION (CONTINUED)

Wiring Diagrams (Continued)

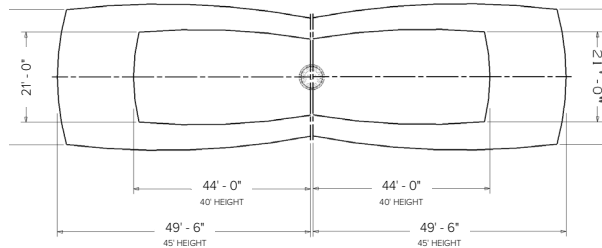


Pink wire replace previous gray wire. Unit with a gray instead of pink wire should be wired as the pink wire shown in the diagram.

Coverage Pattern



Sensor Lens Coverage and Detection Patterns When Mounted at 40ft and 45ft with Standard Lens



Sensor Lens Coverage and Detection Patterns When Mounted at 40ft and 45ft with Aisle Lens (Top Down View)

Default Settings

Occupancy Sensor	Enabled
Occupancy Sensor Sensitivity	7
Occupancy Sensor Timeout	15 Minutes
Occupied Dim Level	100%
Unoccupied Dim Level	0%
Daylight Sensor	Disabled
Bluetooth	Enabled
2.4GHz Wireless Mesh	Off
Passcode	Enabled (Factory Passcode: HubbN3T!)