

NXSMP2 Series

LOW MOUNT INDOOR SENSOR - LMI

FEATURES

- Low profile architectural sensor that complement luminaire aesthetics
- Integrated 2.4GHz Wireless Mesh and Bluetooth for easy commissioning and communication
- PIR motion sensor for automatic On/Off control
- Integrated Hybrid Daylight Sensor for daylight harvesting
- Device configuration through NX Lighting Controls Mobile App
- Intelliscope enabled providing real time visibility of motion for improved accuracy of sensor sensitivity and time delay adjustments
- Simple plug-and-play connection to NX In-Fixture Modules
- Five-year limited warranty



SPECIFICATIONS

CONSTRUCTION

- Housing: ABS (UL-945VA) Flame Class Rating, UV Inhibitors
- Color: White
- 3.2oz (90.7g)
- Mounting Barrel: 1.31" (33.27mm) H x 1.18" (29.97mm) W
- Overall Dimensions: 1.84" (46.74mm) H x 1.64" (41.65mm) W
- Complies for use in a plenum area
- Rated for Indoor use only

MOUNTING

- Mounts directly in 1.2" diameter aperture, secured by supplier nut on threaded housing
- Recommended Max Mounting Height: 12ft (3.65m)

ELECTRICAL

- Input
- Input Voltage: 12-24VDC supplied by NXFM (NX Fixture Module)
 - Power Consumption: 30mA
 - Wiring: Uses NXV

Standby Power (W)

- 120VAC: 0.1W
- 277VAC: 0.1W
- 347VAC: 0.1W

OPERATING ENVIRONMENT

- Rated for Indoor Use Only
- Operating temperature: 32° to 149°F (0° to 65°C)
- Relative humidity (non-condensing) 0% to 95%

WIRELESS

- 2.4GHz: IEEE 802.15.1 based
- Bluetooth® Version V5.2

SENSOR

- Detection Technology: Passive Infrared Sensor
- 1:1 Coverage Pattern (mounting height: coverage radius)
- Max Mounting Height 12ft
- LED Indicator (Red) indicates occupancy detection

PROGRAMMING INTERFACE

- NX Lighting Controls Mobile App
- NX Area Controller (NXAC) for Network Applications

CERTIFICATIONS

- cULus Listed
- Complies with FCC Part 15.247
 - FCC ID: YH9NXSMP2SMI
 - IC: 9044A-NXSMP2SMI

WARRANTY

- 5 year limited warranty

NXSMP2 Series

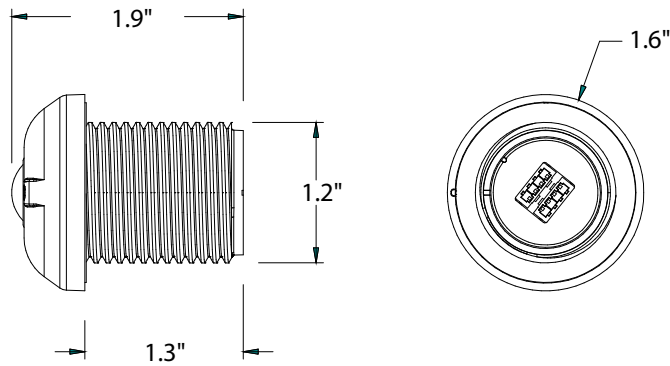
LOW MOUNT INDOOR SENSOR - LMI

ORDERING GUIDE

CATALOG # **Example:** NXSMP2-LMI

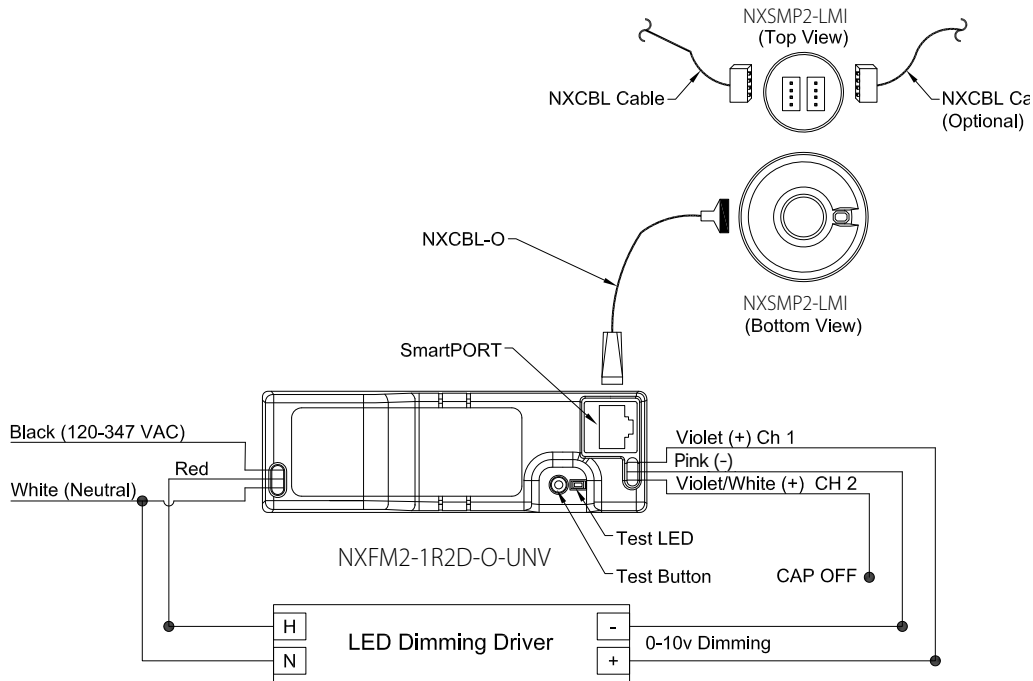
NXSMP2	LMI
Model	Sensor Type
NXSMP2 NX Digital Smart Sensor Gen 2 with Integrated Wireless, PIR and Daylight Harvesting	LMI Slide Mount Indoor

DIMENSIONS



ADDITIONAL INFORMATION

Wiring Diagrams



NXSMP2-LMI with NXFM2-1R2D-O-UNV

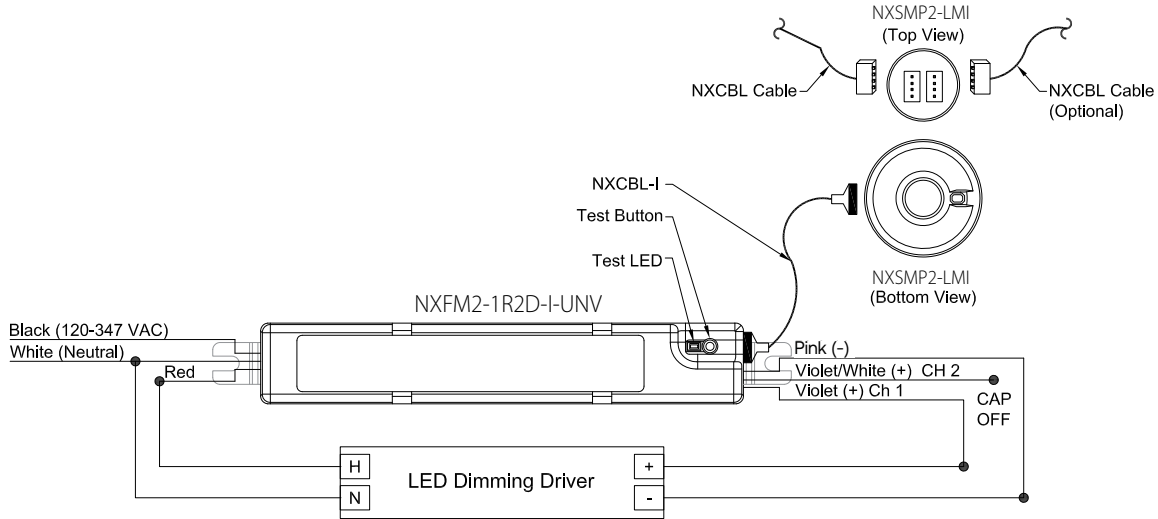
Pink wire replace previous gray wire. Unit with a gray instead of pink wire should be wired as the pink wire shown in the diagram.

NXSMP2 Series

LOW MOUNT INDOOR SENSOR - LMI

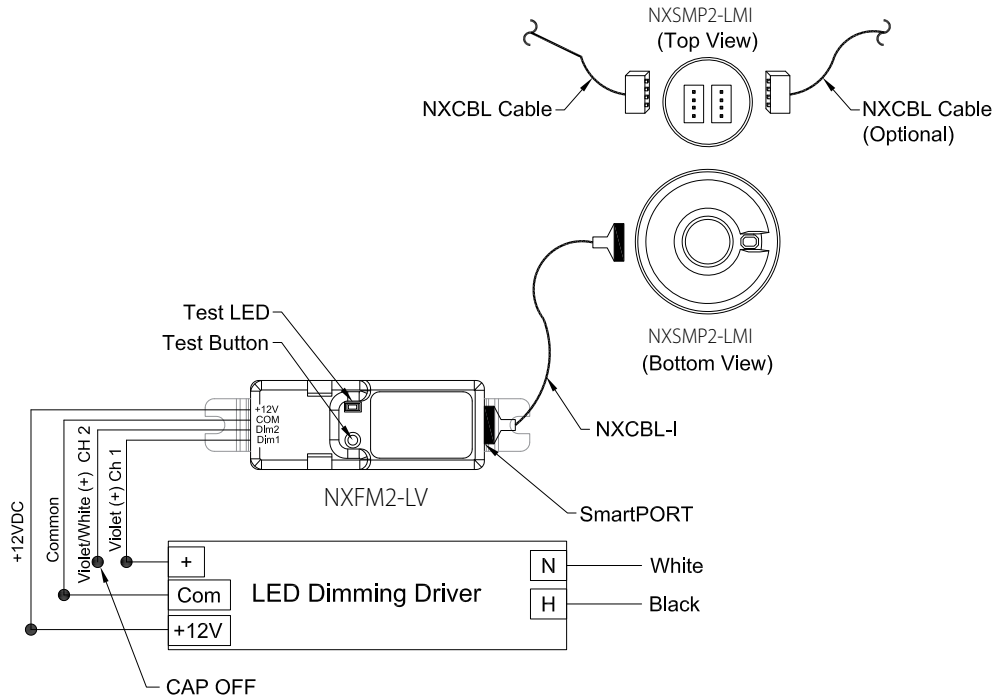
ADDITIONAL INFORMATION (CONTINUED)

Wiring Diagrams (Continued)



NXSMP2-LMI with NXFM2-1R2D-I-UNV

Pink wire replace previous gray wire. Unit with a gray instead of pink wire should be wired as the pink wire shown in the diagram.



NXSMP2-LMI with NXFM2-LV

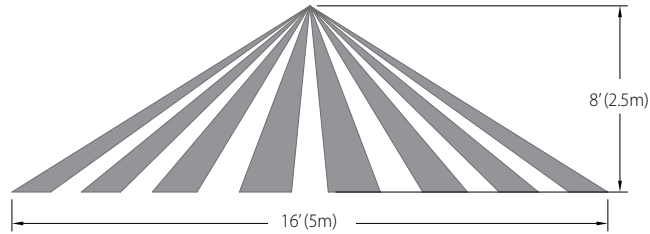
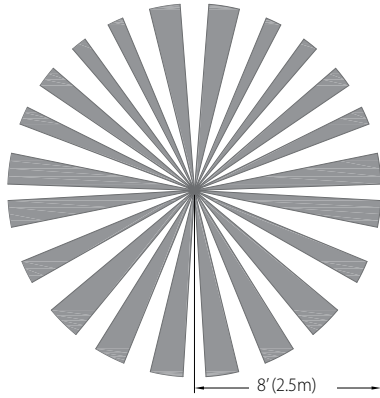
Pink wire replace previous gray wire. Unit with a gray instead of pink wire should be wired as the pink wire shown in the diagram.

NXSMP2 Series

LOW MOUNT INDOOR SENSOR - LMI

ADDITIONAL INFORMATION (CONTINUED)

Coverage Pattern



Default Settings

Occupancy Sensor	Enabled
Occupancy Sensor Sensitivity	7
Occupancy Sensor Timeout	15 Minutes
Occupied Dim Level	100%
Unoccupied Dim Level	0%
Daylight Sensor	Disabled
Bluetooth	Enabled
2.4GHz Wireless Mesh	Off
Passcode	Enabled (Factory Passcode: HubbN3T!)