

# NXSMP2 Series

SLIDE MOUNT SENSOR - SMI

## FEATURES

- Low profile architectural sensor that complement luminaire aesthetics
- Integrated 2.4GHz Wireless Mesh and Bluetooth for easy commissioning and communication
- PIR motion sensor for automatic On/Off control
- Integrated Hybrid Daylight Sensor for daylight harvesting
- Device configuration through NX Lighting Controls Mobile App
- Intelliscope enabled providing real time visibility of motion for improved accuracy of sensor sensitivity and time delay adjustments
- Simple plug-and-play connection to NX In-Fixture Modules
- Five-year limited warranty



## SPECIFICATIONS

### CONSTRUCTION

- Housing: ABS (UL-945VA) Flame Class Rating, UV Inhibitors
- Color: White
- 2.2oz (62.4g)
- 2.0" (54.61mm) L x 0.6" (19.1mm) W x 0.8" (20.32mm) H
- Complies for use in a plenum area

### MOUNTING

- Mounting for in-fixture only; optional decorative mounting ring available
- Recommended Max Mounting Height: 12ft (3.65m)

### ELECTRICAL

- Input
- Input Voltage: 12-24VDC supplied by NXFM (NX Fixture Module)
  - Power Consumption: 30mA
  - Wiring: Uses NXV

### Standby Power (W)

- 120VAC: 0.1W
- 277VAC: 0.1W
- 347VAC: 0.1W

### OPERATING ENVIRONMENT

- Rated for Indoor Use Only
- Operating temperature: 32° to 149°F (0° to 65°C)
- Relative humidity (non-condensing) 0% to 95%

### WIRELESS

- 2.4GHz: IEEE 802.15.1 based
- Bluetooth® Version V5.2

### SENSOR

- Detection Technology: Passive Infrared Sensor
- 1:1 Coverage Pattern (mounting height: coverage radius)
- Max Mounting Height 12ft
- LED Indicator (Red) indicates occupancy detection

### PROGRAMMING INTERFACE

- NX Lighting Controls Mobile App
- NX Area Controller (NXAC) for Network Applications

### CERTIFICATIONS

- cULus Listed
- Complies with FCC Part 15.247
  - FCC ID: YH9NXSMP2SMI
  - IC: 9044A-NXSMP2SMI

### WARRANTY

- 5 year limited warranty

# NXSMP2 Series

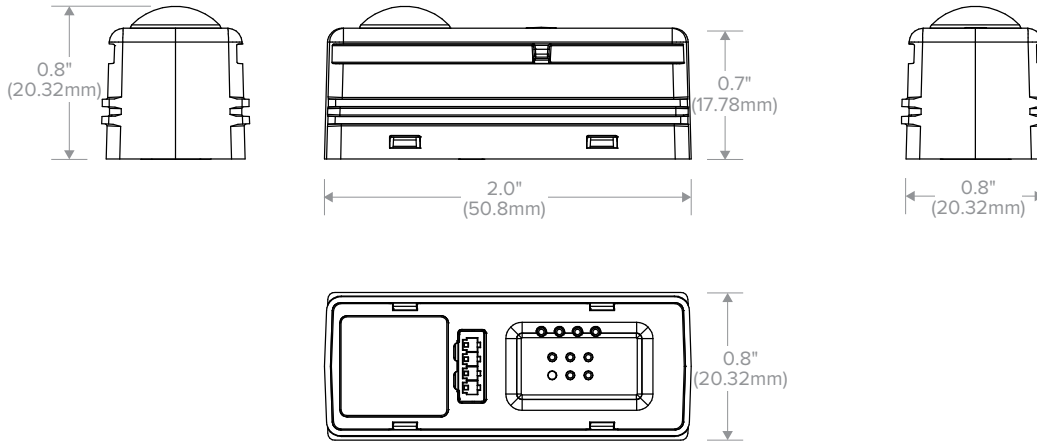
SLIDE MOUNT SENSOR - SMI

## ORDERING GUIDE

CATALOG #  Example: NXSMP2 -SMI

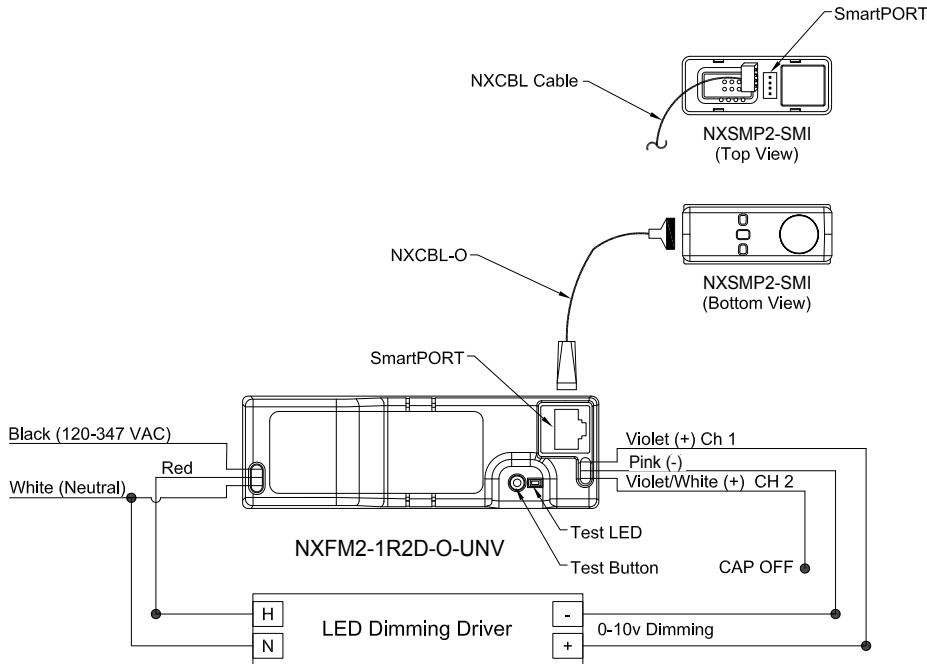
NXSMP2	SMI
Model	Sensor Type
NXSMP2 NX Digital Smart Sensor Gen 2 with Integrated Wireless, PIR and Daylight Harvesting	SMI Slide Mount Indoor

## DIMENSIONS



## ADDITIONAL INFORMATION

### Wiring Diagrams



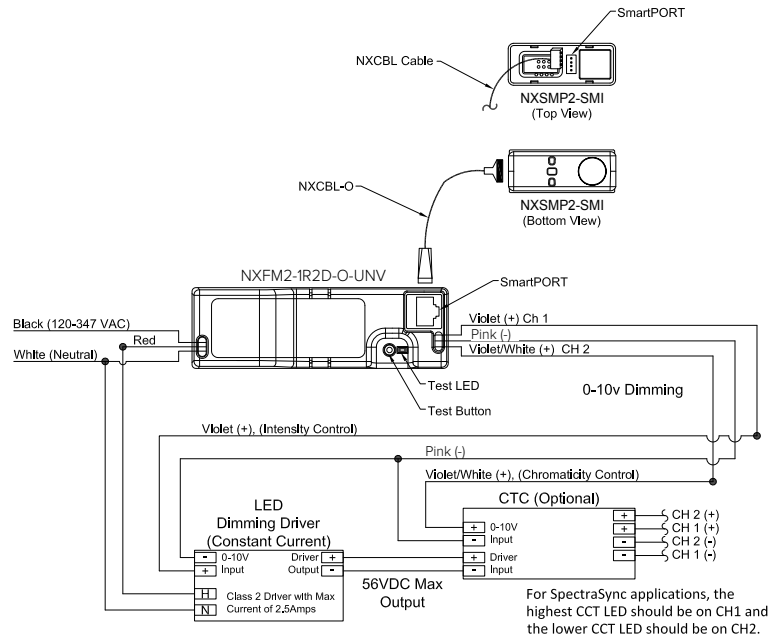
Pink wire replace previous gray wire. Unit with a gray instead of pink wire should be wired as the pink wire shown in the diagram.

# NXSMP2 Series

SLIDE MOUNT SENSOR - SMI

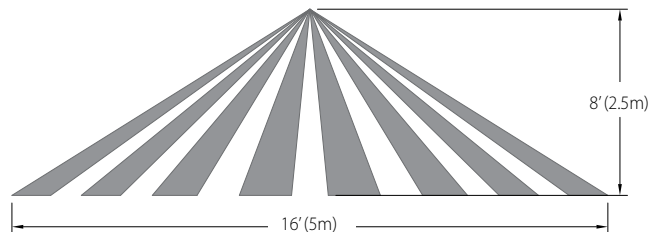
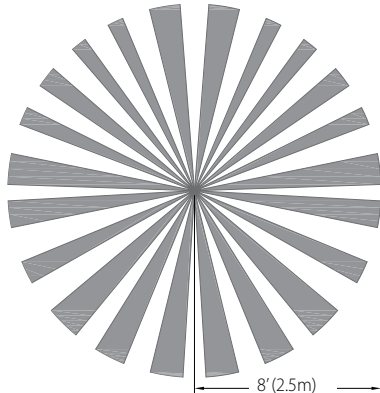
## ADDITIONAL INFORMATION (CONTINUED)

### Wiring Diagrams (Continued)



Pink wire replace previous gray wire. Unit with a gray instead of pink wire should be wired as the pink wire shown in the diagram.

### Coverage Pattern



### Default Settings

Occupancy Sensor	Enabled
Occupancy Sensor Sensitivity	7
Occupancy Sensor Timeout	15 Minutes
Occupied Dim Level	100%
Unoccupied Dim Level	0%
Daylight Sensor	Disabled
Bluetooth	Enabled
2.4GHz Wireless Mesh	Off
Passcode	Enabled (Factory Passcode: HubbN3T!)