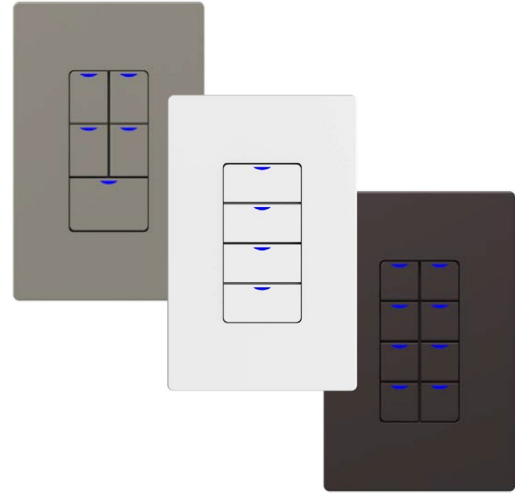


NXSW2-W AC Wireless Series

SMART WALL STATIONS

FEATURES

- Simple AC Powered wireless connections to NX System
- Device configuration through NX Lighting Controls Mobile App and NX Site Manager
- Clean, unobtrusive & enduring design
- Up to eight buttons in a single gang
- Gang-able with other decorator type devices
- Colors supported through switch specific Color Packs
- Five-year limited warranty



* White standard, other colors are supported through field installable Color Packs



SPECIFICATIONS

CONSTRUCTION

- Housing: Rugged, injection molded plastic, Polyac FR-ABS, (UL-94 5VA) flame class rating
- Color: Switch available in white, standard
- Black, Gray, Ivory, Light Almond, Red Supported through field installable Color Packs
- Weight - 4.8oz (136g)
- Housing Dimensions - 4.12" L (104.65mm) x 1.86" W (47.24mm) x 1.72" D (43.4mm)

MOUNTING

- Single-gang NEMA-style switch box (standard switch box - max mounting height: 48")
- Multi-Gang Supported via standard NEMA-style electrical box
- Decorator-style wall plate sold separately

ELECTRICAL INPUT

- Input Voltage: 120/277V AC
- Power Consumption: 34mA

PROGRAMMING INTERFACE

- NX Lighting Controls Mobile App
- NX Site Manager (NXAC2) for Network applications

OPERATING ENVIRONMENT

- Rated for Indoor Use Only
- Operating temperature: 32° to 104°F (0° to 40° C)
- Relative humidity (non-condensing): 0 to 95%
- 2.4GHz IEEE 802.15.4 based

CERTIFICATIONS

- cULus Listed
- Complies with FCC Part 15
- **WARRANTY**
- 5 year limited
- See website for additional information

ORDERING GUIDE

Example: NXSW2-W4-WH

CATALOG #

| NXSW2 | | WH |
|-----------------------------|---------------------------|-----------------|
| Model | Switch Type | Color |
| NXSW2 NX Smart Wall Station | W1 1 Toggle Button | WH White |
| | W2 2 Toggle Button | |
| | W3 3 Toggle Button | |
| | W4 4 Toggle Button | |
| | W5 5 Toggle Button | |
| | W6 6 Toggle Button | |
| | W8 8 Toggle Button | |

COLOR PACK ORDERING GUIDE

Example: NXSW2-CP4-BK

CATALOG #

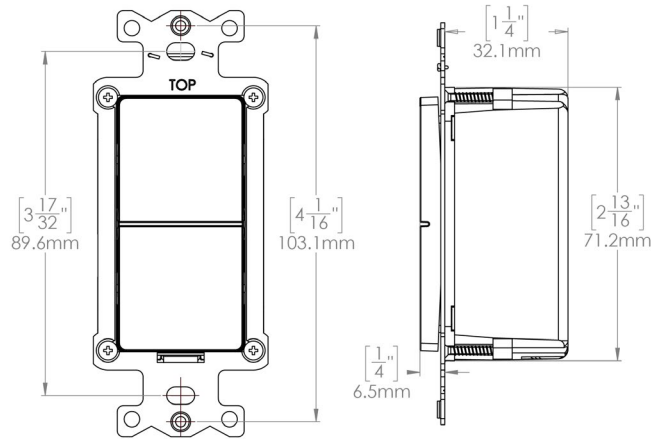
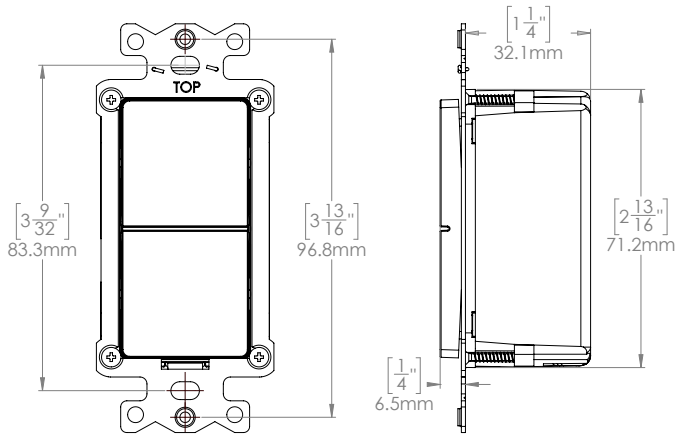
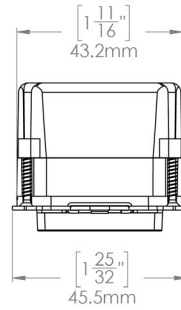
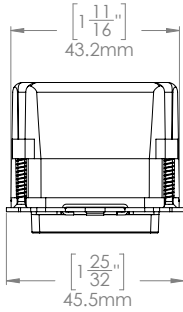
| NXSW2 | | |
|-------|--------------------------------|------------------------|
| Model | Switch Type | Color |
| NXSW2 | CP1 1 Button Color Pack | BK Black |
| | CP2 2 Button Color Pack | GY Gray |
| | CP3 3 Button Color Pack | IV Ivory |
| | CP4 4 Button Color Pack | LA Light Almond |
| | CP5 5 Button Color Pack | RD Red |
| | CP6 6 Button Color Pack | WH* White |
| | CP8 8 Button Color Pack | |

* NXSW2-W default is white. White Color Pack available to order as replacement.

NXSW2-W AC Wireless Series

SMART WALL STATIONS

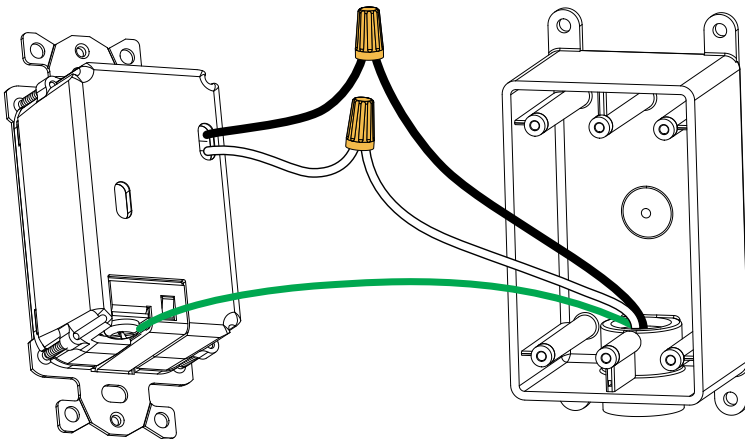
DIMENSIONS



US Version
(120-277V)

Canada Version
(347V)

WIRING DIAGRAM

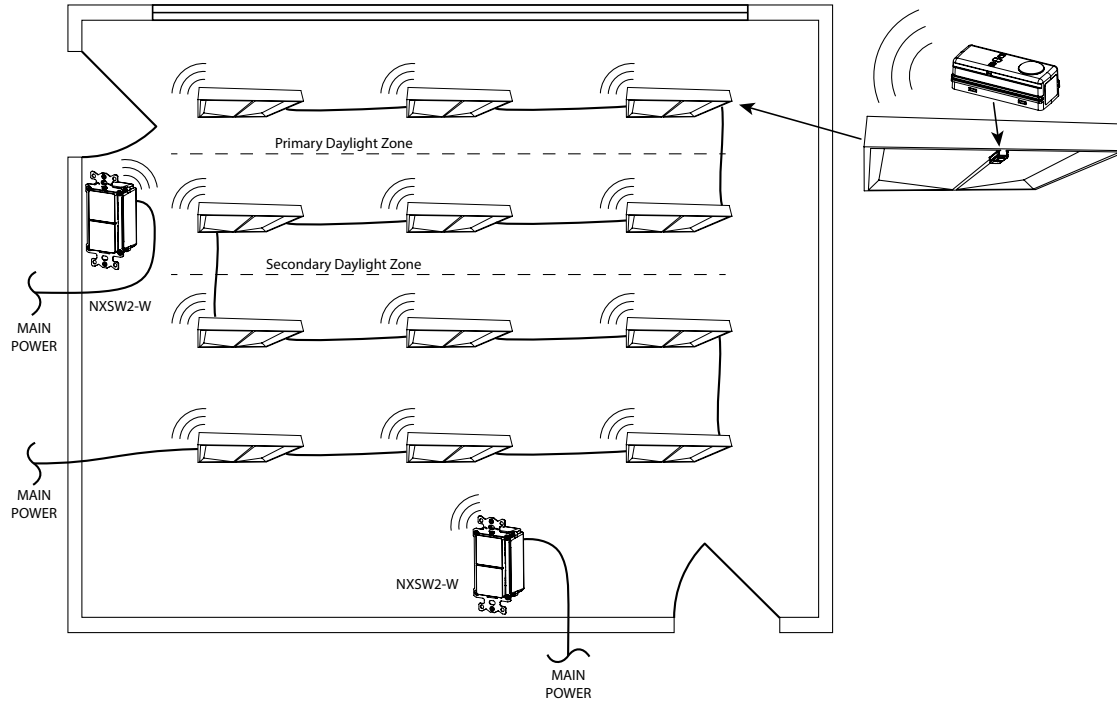


Field installed earthing conductor shall be equivalent or larger than the supply leads, 16 AWG minimum.

NXSW2-W AC Wireless Series

SMART WALL STATIONS

WIRING DIAGRAM (CONTINUED)



ADDITIONAL INFORMATION

Model Descriptions

Models: NXSW2-W1, NXSW2-W2, NXSW2-W3, NXSW2-4W, NXSW2-5W, NXSW2-6W, NXSW2-8W

As shipped, all buttons on these stations are configured as Toggle type (press for ON/press for OFF) with LED status. The buttons can be configured for alternate operation using the NX Lighting Controls App.

| MODEL | SETTINGS |
|----------------------|---|
| Toggle | Sends group ON/group OFF, factory configuration |
| ON | Sends group ON to full level, relay control is optional |
| OFF | Sends group OFF to minimum level, relay control is optional |
| Single Button ON/OFF | Sends group ON to level/group OFF to level, relay control is optional |
| Raise | Raise dimming level |
| Lower | Lower dimming level |
| Preset | Activate a preset scene, 1 – 16 |
| Timed ON | Sends ON with selectable timeout to OFF |
| CCT ON | Sends ON, level, and sets color |
| Disabled | Disables the button |
| CCT Raise | Increase color temperature |
| CCT Lower | Lower color temperature |
| Partition | Sends room combine/separate message |
| ON/Raise/Lower/OFF | Touch for ON, hold for raise/lower, touch for OFF |
| Emergency Override | Sends Fire Emergency Command (Default is Maintained) |
| Demand Response | Sends Demand Response Level for the Zone (1-10) |
| ON/Raise | Touch for ON, hold to raise dimming level |
| Lower/OFF | Touch for OFF, hold to lower dimming level |

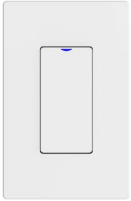
NXSW2-W AC Wireless Series

SMART WALL STATIONS

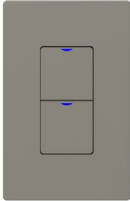
ADDITIONAL INFORMATION (CONTINUED)

COLOR OPTIONS

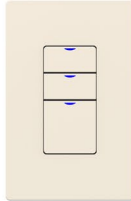
White provided standard. Black, Gray, Ivory, Light Almond, Red Supported through field installable Color Packs



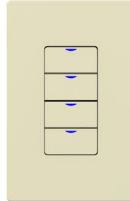
NXSW2-W1-WH



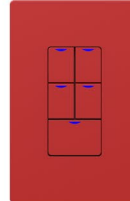
NXSW2-W2-WH
NXSW2-CP2-GY



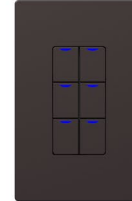
NXSW2-W3-WH
NXSW2-CP3-IV



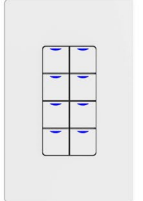
NXSW2-W4-WH
NXSW2-CP4-LA



NXSW2-W5-WH
NXSW2-CP5-RD



NXSW2-W6-WH
NXSW2-CP6-BK



NXSW2-W8

Wall Plates not included