

NXSW2-W AC Wireless Series

SPECIALTY WALL STATIONS

DATE: _____ LOCATION: _____

TYPE: _____ PROJECT: _____

CATALOG #: _____

FEATURES

- Simple AC powered wireless connection to NX System
- Device configuration through NX Lighting Controls Mobile App and NX Site Manager
- Clean, unobtrusive & enduring design
- Gang-able with other decorator type devices
- Digitally addressable
- Colors supported through switch specific Color Packs
- Fire-year limited warranty



SPECIFICATIONS

CONSTRUCTION

- Housing: Rugged, injection molded plastic, Polyac FR-ABS, (UL-94 5VA) flame class rating
- Color: Switch available in white, standard
- Black, Gray, Ivory, Light Almond, Red Supported through field installable Color Packs
- Weight - 4.8oz (136g)
- Housing Dimensions - 4.12" L (104.65mm) x 1.86" W (47.24mm) x 1.72" D (43.4mm)

MOUNTING

- Single-gang NEMA-style switch box (standard switch box - max mounting height: 48")
- Multi-Gang Supported via standard NEMA-style electrical box
- Decorator-style wall plate sold separately

ELECTRICAL INPUT

- Input Voltage: 120/277V AC
- Power Consumption: 34mA

PROGRAMMING INTERFACE

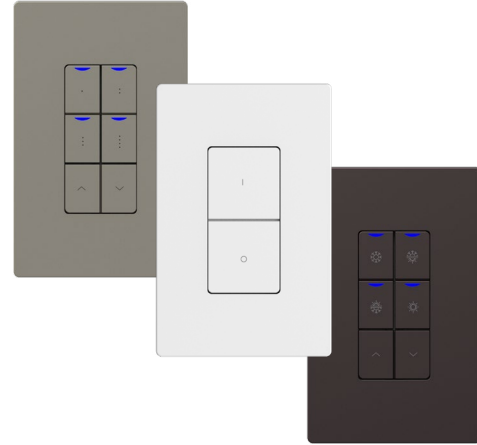
- NX Lighting Controls Mobile App
- NX Site Manager (NXAC2) for Network applications

OPERATING ENVIRONMENT

- Rated for Indoor Use Only
- Operating temperature: 32° to 104°F (0° to 40° C)
- Relative humidity (non-condensing): 0 to 95%
- 2.4GHz IEEE 802.15.4 based

CERTIFICATIONS

- cULus Listed
- Complies with FCC Part 15
- **WARRANTY**
- 5 year limited
- See website for additional information



* White standard, other colors are supported through field installable Color Packs

ORDERING GUIDE

Example: NXSW2-WORLO-WH

CATALOG #

NXSW2		WH
Model	Switch Type	Color
NXSW2 NX Specialty Wall Station	WOO On/Off WORLO On/Raise/Lower/Off WSS Scene Switch WCCT Color Control Switch	WH White

COLOR PACK ORDERING GUIDE

Example: NXSW2-CPORLO-BK

CATALOG #

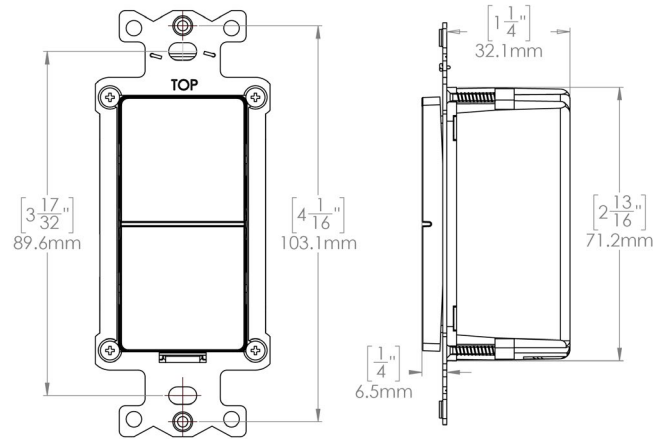
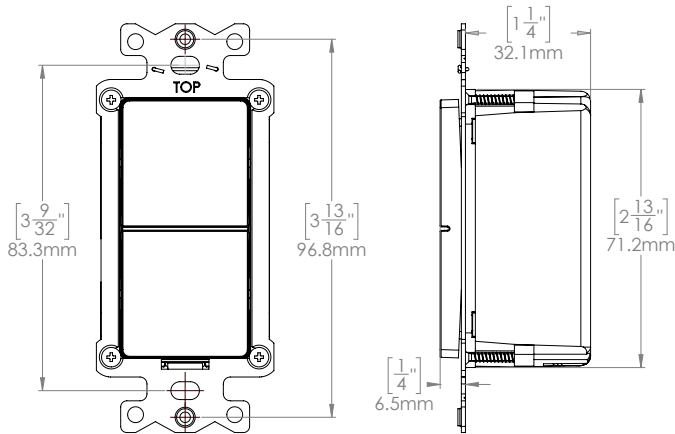
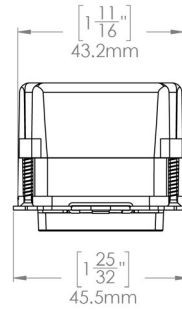
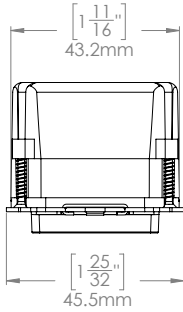
NXSW2		
Model	Switch Type	Color
NXSW2	CPOO On/Off Color Pack CPORLO On/Off/Raise/Lower Color Pack CPSS Scene Switch Color Pack CPCCT Color Corrective Temp Color Pack	BK Black GY Gray IV Ivory LA Light Almond RD Red WH* White

* NXSW2-W default is white. White Color Pack available to order as replacement.

NXSW2-W AC Wireless Series

SPECIALTY WALL STATIONS

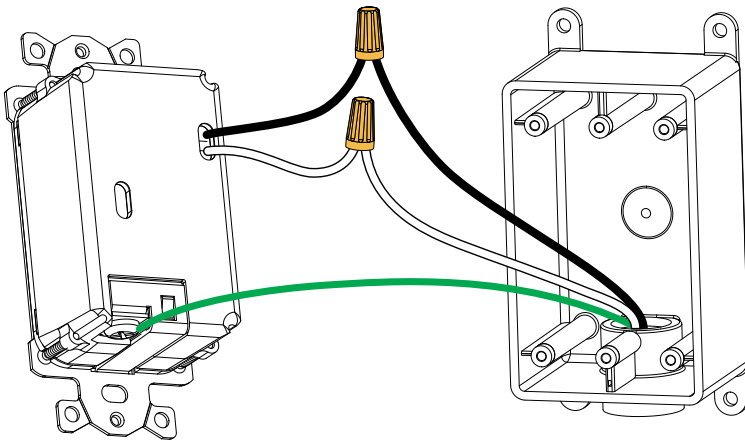
DIMENSIONS



US Version
(120-277V)

Canada Version
(347V)

WIRING DIAGRAM



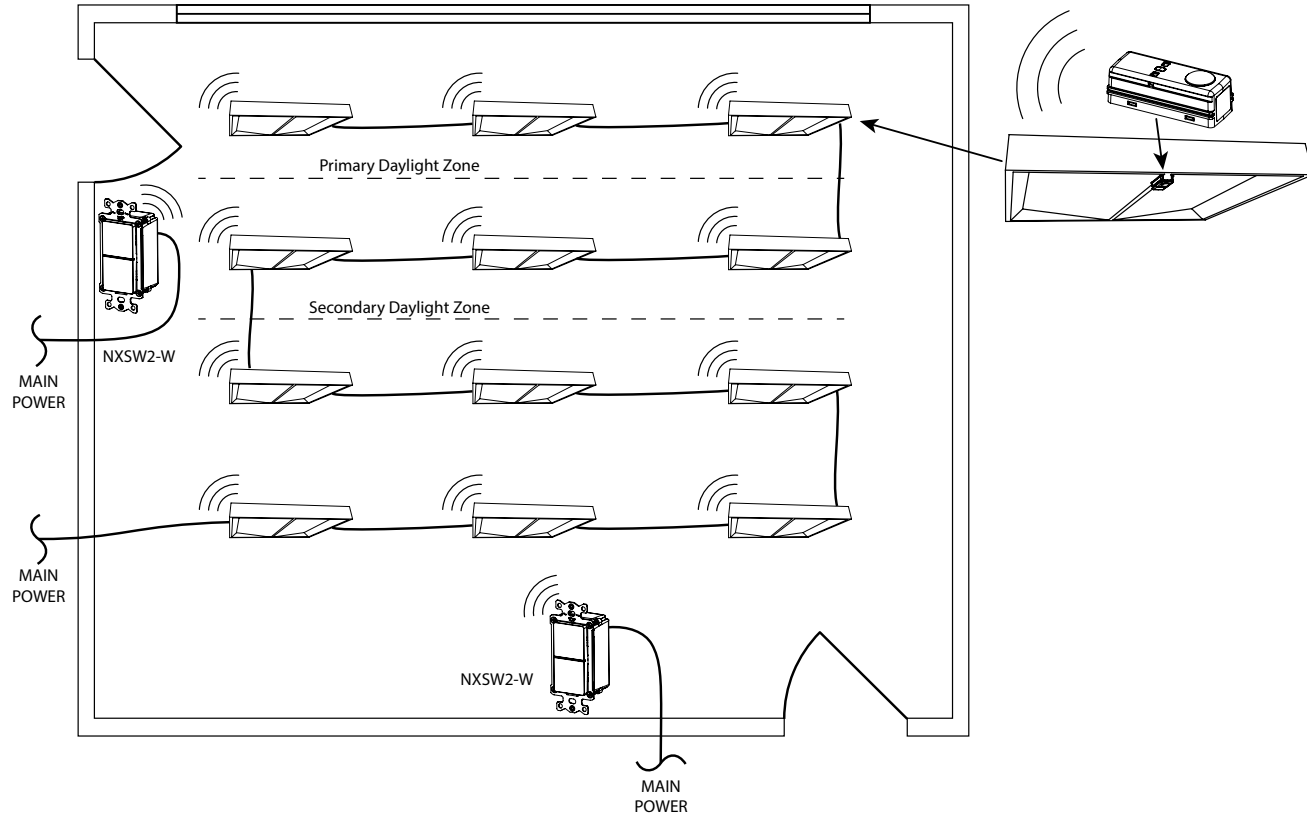
Field installed earthing conductor shall be equivalent or larger than the supply leads, 16 AWG minimum.

NXSW2-W AC Wireless Series





SPECIALTY WALL STATIONS

ADDITIONAL INFORMATION

WIRING DIAGRAM



Model Descriptions

MODEL	MODEL	MODEL	MODEL
NXSW2-WORLO		ON/Raise/Lower/OFF	Default configuration is to control all 16 groups. Use Manual Configuration or the App to limit the controlled groups. The ON button sends group ON to full dimming level. It can be configured to send a dimming level other than full. The OFF button sends group OFF to minimum dimming level. It can be configured to send a dimming level other than minimum.
NXSW2-WSS		Scene Switch	Default configuration is to control all relays and dimmers in the connected room or area. The four preset buttons are factory set from 1 to 4 at 100%, 75%, 50%, and 25% dimming level with a 5 second fade time. All these settings can be changed using the App. The raise/lower buttons will increase or decrease the light level of all dimmed loads that are in the ON state. A single firm press and release of the lower button will turn off all lights controlled by the switch.
NXSW2-WOO		ON/OFF Switch	Default configuration is to control relays and dimmers in all 16 groups. The ON button sends group ON to full level and the OFF button sends group OFF to minimum light level. Relay control is optional. These buttons cannot be configured for any other operation. Use Manual Configuration or the App to limit the number of groups controlled.
NXSW2-WCCT		Color Control Switch	Default configuration is to control all relays and dimmers in the connected room or area. The four preset buttons are factory set from left to right at 6500K, 5200K, 4000K, and 2700K color temp level with a 5 second fade time. All these settings can be changed using the App. The raise/lower buttons will increase or decrease the color temp level of all dimmed loads that are in the ON state.

NXSW2-W AC Wireless Series

SPECIALTY WALL STATIONS

ADDITIONAL INFORMATION (CONTINUED)

COLOR OPTIONS

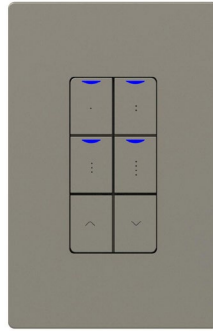
White provided standard. Black, Gray, Ivory, Light Almond, Red Supported through field installable Color Packs



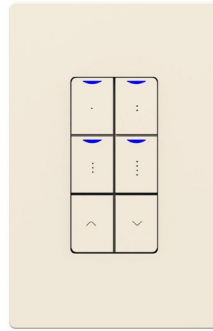
NXSW2-WORLO-WH



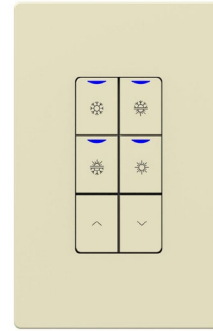
NXSW2-WORLO-WH
NXSW2-CPORLO-BK



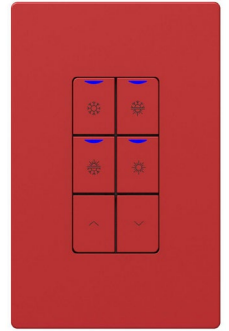
NXSW2-WSS-WH
NXSW2-CPSS-GY



NXSW2-WSS-WH
NXSW2-CPSS-IV



NXSW2-WCCT-WH
NXSW2-CPCCT-LA



NXSW2-WCCT-WH
NXSW2-CPCCT-RD

Wall Plates not included