

# NXSW2 Series

SPECIALTY KEY SWITCH WALL STATIONS

## FEATURES

- 100% Digital Key Switch with plug-and-play operation with NX Communication Bus
- Device configuration through NX Lighting Controls Mobile App and NX Area Controller
- Clean, unobtrusive & enduring design
- Gang-able with other decorator type devices
- Digitally addressable
- Single Throw Maintained, Single Throw Momentary, and Double Throw Momentary Versions
- Available in multiple colors
- Five-year limited warranty



## SPECIFICATIONS

### CONSTRUCTION

- Housing: Rugged injection molded plastic, Polyac FR-ABS, (UL-94 5VA) flame class rating
- Color: White, Black, Gray, Ivory, Light Almond, Red
- Weight: 2.4oz (68g)
- Dimensions: 4.12" (104.65mm) H x 1.86" (47.24mm) W x 1.84" (46.7mm) D

### MOUNTING

- Single-gang NEMA-style switch box (standard switch box - max mounting height: 48")
- Decorator-style wall plate sold separately

### MOUNTING (cont)

\*For installation with multi-gang Mud Rings please dry fit NXSW2 prior to installation to verify compatibility

Recommended multi-gang Mud Rings	
Raco 841	Cooper TP496
Raco 8778	Cooper TP488
Raco 780	Steel City 52-C-00
Raco 8781	Orbit 42075
Raco 877	Orbit 42058
Raco 8780SP	Fraser Oaks MR-12E
Cooper TP499	

### ELECTRICAL INPUT

- Input Voltage: 12-24VDC supplied by NX Actuator (not included)
- Power Consumption: 15mA
- NX PBU: 2

### PROGRAMMING INTERFACE

- NX Lighting Controls Mobile App
- NX Area Controller (NXAC2) for Network Applications

### OPERATING ENVIRONMENT

- Rated for Indoor Use Only
- Operating temperature: 32°F to 104°F (0°C to 40°C)
- Relative humidity (non-condensing) 0% to 95%

### CERTIFICATIONS

- cULus Listed
- Complies with FCC Part 15

### WARRANTY

- 5 year limited warranty
- See website for additional information

## ORDERING GUIDE

Example: NXSW2-KEY-MTRY1-WH

CATALOG # \_\_\_\_\_

<p><b>NXSW2-KEY</b></p> <p><b>Model</b></p> <p>NXSW2-KEY NX Specialty Key Switch Wall Station</p>	<p><b>Switch Type</b></p> <p>MNTD1 Maintained Single Throw</p> <p>MTRY1 Momentary Single Throw</p> <p>MTRY2 Momentary Double Throw</p>	<p><b>Color</b></p> <p>WH White</p> <p>BK Black<sup>1</sup></p> <p>GY Gray<sup>1</sup></p> <p>IV Ivory<sup>1</sup></p> <p>LA Light Almond<sup>1</sup></p> <p>RD Red<sup>1</sup></p>
---	--	---

1 - Made to Order Options; Consult Factory for Lead Times

# NXSW2 Series

SPECIALTY KEY SWITCH WALL STATIONS

## ORDERING GUIDE

### Cat5 Cable Ordering Guide

CATALOG #

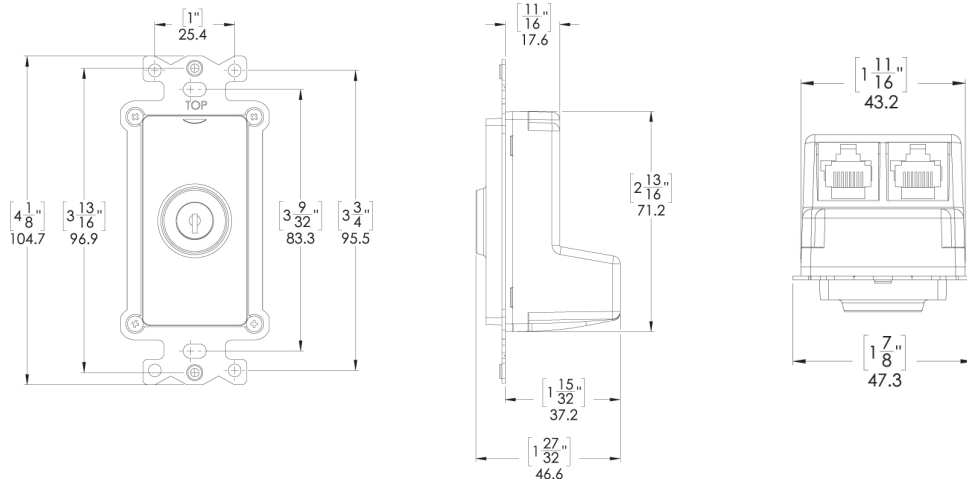
Model/Description	
<b>CAT5-3IN-OR-PLENUM</b>	CAT5 Cable for NX SmartPORT™ Devices, Plenum Rated, 3in, Orange
<b>CAT5-3F-OR-PLENUM</b>	CAT5 Cable for NX SmartPORT Devices, Plenum Rated, 3ft, Orange
<b>CAT5-10F-OR-PLENUM</b>	CAT5 Cable for NX SmartPORT Devices, Plenum Rated, 10ft, Orange
<b>CAT5-25F-OR-PLENUM</b>	CAT5 Cable for NX SmartPORT Devices, Plenum Rated, 25ft, Orange
<b>CAT5-50F-OR-PLENUM</b>	CAT5 Cable for NX SmartPORT Devices, Plenum Rated, 50ft, Orange
<b>CAT5-100F-OR-PLENUM</b>	CAT5 Cable for NX SmartPORT Devices, Plenum Rated, 100ft, Orange



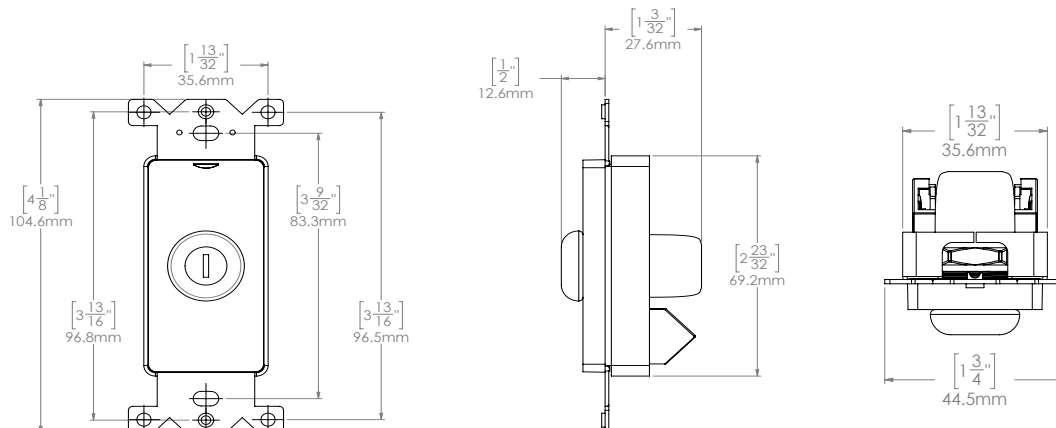
Cat5 Cable

## DIMENSIONS

### Single Throw Key Switches



### Double Throw Key Switch



# NXSW2 Series

SPECIALTY KEY SWITCH WALL STATIONS

## ADDITIONAL INFORMATION

### Setup and Configuration

**Models: NXSW2-KEY-MTRY1, NXSW2-KEY-MNTD1, NXSW2-KEY-MTRY2**

As shipped, Single Throw Key Switches are configured as Toggle type with LED status. For Momentary version turn 90° right for ON/turn 90° right again for OFF. For Maintained version turn 90° right for ON/return to center for OFF.

As shipped, the Double Throw Key Switch is configured as ON/OFF, such that the right position is ON, and the left position is OFF. The LED status indicator can be configured to operate with either position function.

The Key Switches can be configured for alternate operation using the NX Lighting Controls App or through the NX Area Controller with Site Manager for network applications.

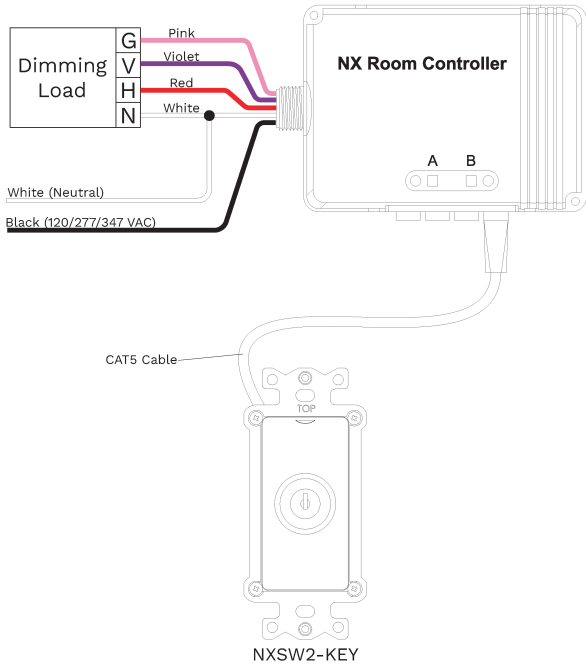
BUTTON TYPES	
Toggle	Sends group ON/group OFF, factory configuration
ON	Sends group ON to full level, relay control is optional
OFF	Sends group OFF to minimum level, relay control is optional
Single Button ON/OFF	Sends group ON to level/group OFF to level, relay control is optional
Raise	Raise dimming level
Lower	Lower dimming level
Preset	Activate a preset scene, 1 – 16
Timed ON	Sends ON with selectable timeout to OFF
CCT ON	Sends ON, level, and sets color
Disabled	Disables the button
CCT Raise	Increase color temperature
CCT Lower	Lower color temperature
Partition	Sends room combine/separate message
ON/Raise/Lower/OFF	Touch for ON, hold for raise/lower, touch for OFF
Emergency Override	Sends Fire Emergency Command (Default is Momentary)
Demand Response	Sends Demand Response Level for the Zone (1-10)
ON/Raise	Touch for ON, hold to raise dimming level
Lower/OFF	Touch for OFF, hold to lower dimming level

# NXSW2 Series

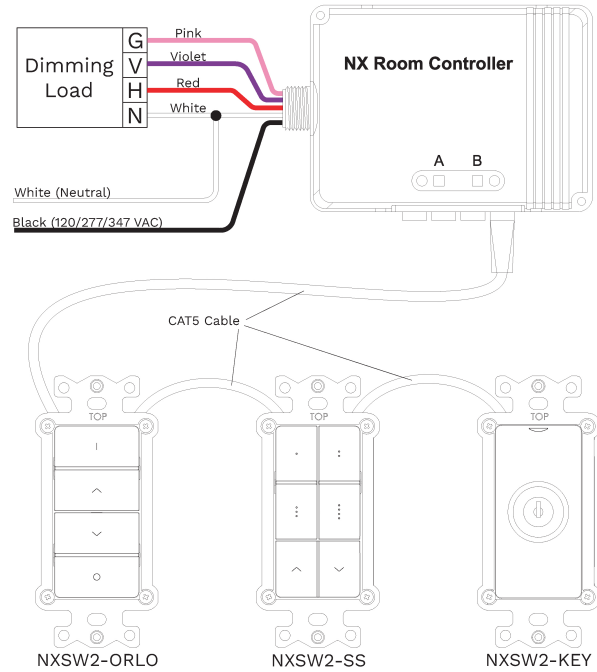
SPECIALTY KEY SWITCH WALL STATIONS

## ADDITIONAL INFORMATION (CONTINUED)

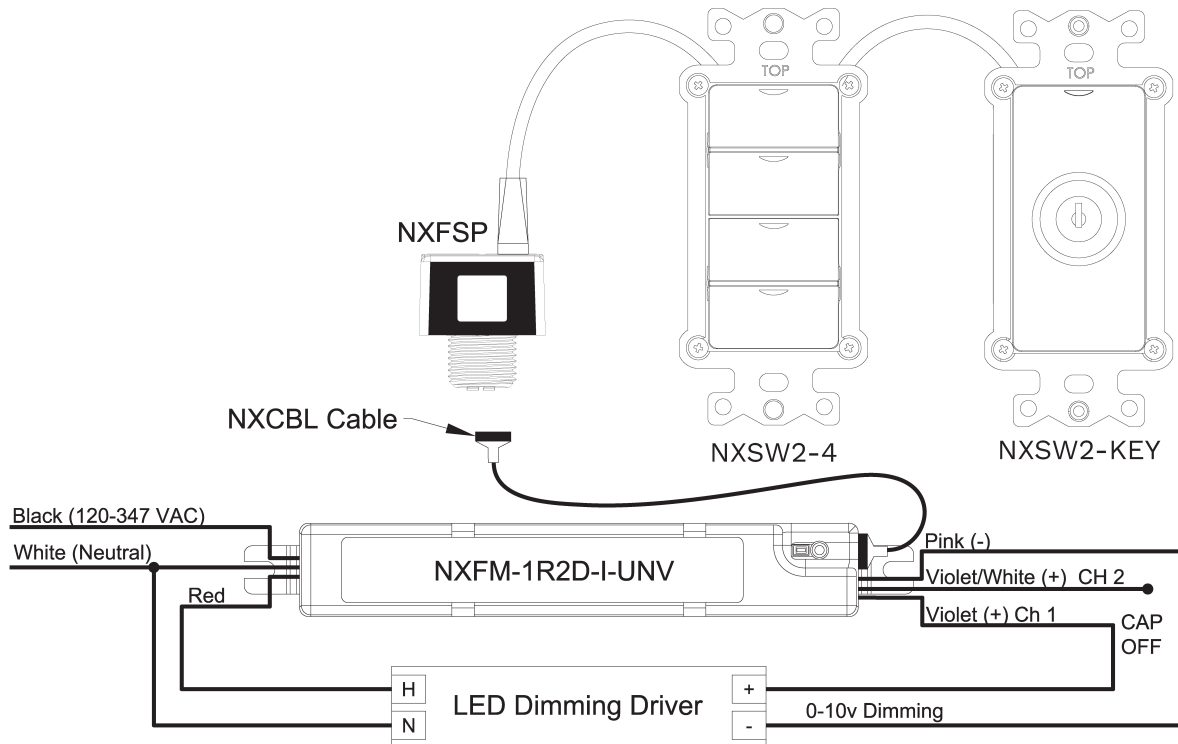
### Wiring Diagrams



**NXSW2 Key Switch with NX Room Controller**



**Multiple NXSW2 Wall Stations daisy chained with NX Room Controller**



**Multiple NXSW2 Wall Stations daisy chained with NX Enabled Luminaire**