

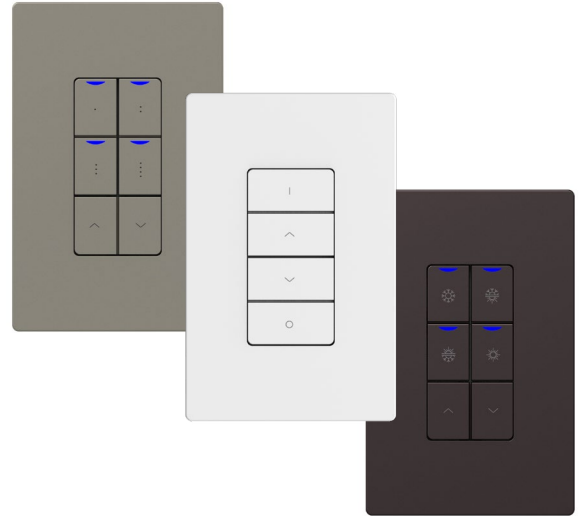
NXSW2 Series

SPECIALTY WALL STATIONS

DATE:	LOCATION:
TYPE:	PROJECT:
CATALOG #:	

FEATURES

- Provide out-of-box programming for plug-and-play operation with NX Communication bus
- Device configuration through NX Lighting Controls Mobile App and NX Area Controller
- Clean, unobtrusive & enduring design
- Gang-able with other decorator type devices
- Digitally addressable
- Available in multiple colors
- Five-year limited warranty



SPECIFICATIONS

CONSTRUCTION

- Housing: Rugged, injection molded plastic, Polyac FR-ABS, (UL-94 5VA) flame class rating
- Color: White, Black, Gray, Ivory, Light Almond, Red
- Weight - 2.4oz (68g)
- Housing Dimensions - 4.12" L (104.65mm) x 1.86" W (47.24mm) x 1.72" D (43.4mm)

MOUNTING

- Single-gang NEMA-style switch box (standard switch box - max mounting height: 48")
- Decorator-style wall plate sold separately

MOUNTING (CONTINUED)

*For installation with multi-gang Mud Rings please dry fit NXSW2 prior to installation to verify compatibility

Recommended multi-gang Mud Rings:	
Raco 841	Cooper TP496
Raco 8778	Cooper TP488
Raco 780	Steel City 52-C-00
Raco 8781	Orbit 42075
Raco 877	Orbit 42058
Raco 8780SP	Fraser Oaks MR-12E
Cooper TP499	

ELECTRICAL INPUT

- Input Voltage: 12-24VDC supplied by NX Actuator (not included)
- Power Consumption: 15mA
- NX PBU: 2

PROGRAMMING INTERFACE

- NX Lighting Controls Mobile App
- NX Area Controller (NXAC2) for Network applications

OPERATING ENVIRONMENT

- Rated for Indoor Use Only
- Operating temperature: 32° to 104°F (0° to 40° C)
- Relative humidity (non-condensing): 0 to 95%

CERTIFICATIONS

- cULus Listed
- Complies with FCC Part 15
- This product meets federal procurement law requirements under the Buy American Act (FAR 52.225-9) and Trade Agreements Act (FAR 52.225-11). See [Buy America\(n\) Solutions](#).

WARRANTY

- 5 year limited
- See website for additional information

ORDERING GUIDE

Example: NXSW2-ORLO-WH

CATALOG #

NXSW2		Switch Type		Color		BAA/TAA*	
Model							
NXSW2	NX Specialty Wall Station	OO	On/Off	WH	White	Blank	Standard Product
		ORLO	On/Raise/Lower/Off	BK	Black		* See available Buy American Solutions to right
		SS	Scene Switch	GY	Gray		
		CCT	Color Control Switch	IV	Ivory		
				LA	Light Almond		
				RD	Red		

*Buy American Solutions	
BAA FAR 52.225-9	TAA FAR 52.225-11
NXSW2-SS-WH-U	NXSW2-SS-WH-T
NXSW2-ORLO-WH-U	NXSW2-ORLO-WH-T

Notes:
*Please see Buy American Solutions table above

NXSW2 Series

SPECIALTY WALL STATIONS

ORDERING GUIDE

Cat5 Cable Ordering Guide

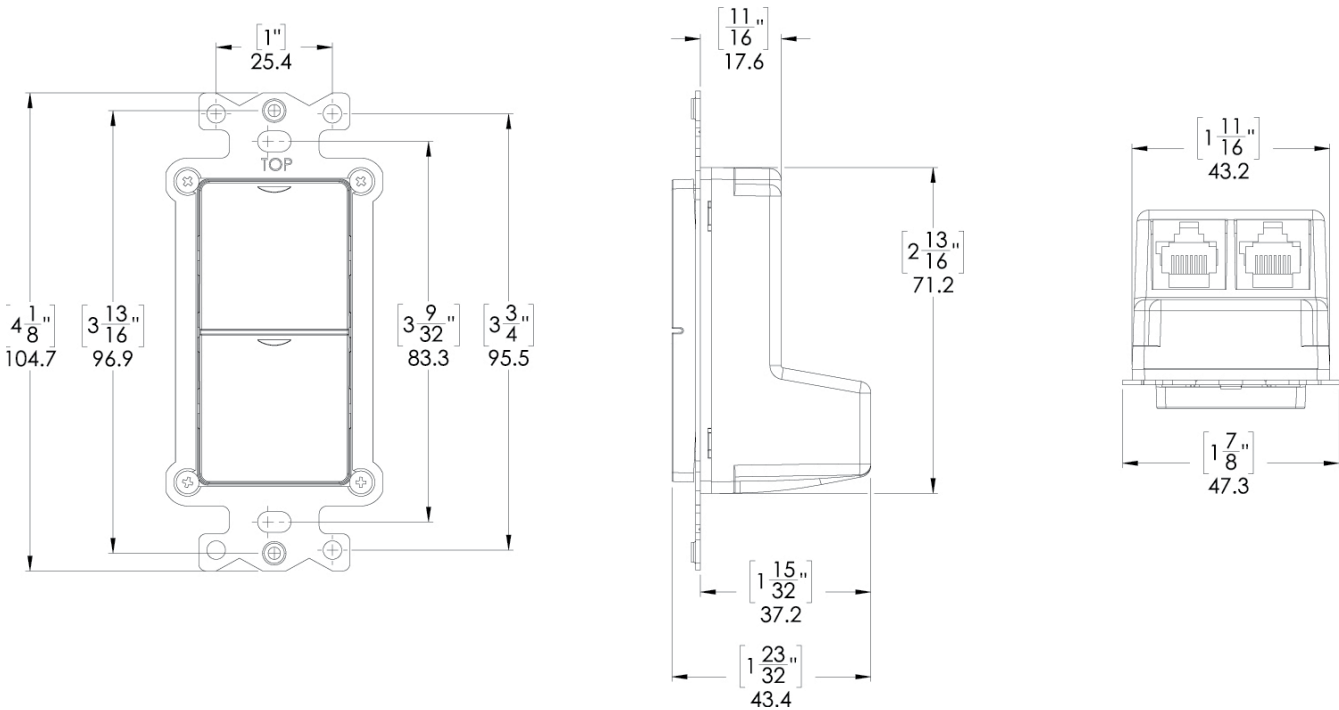
 CATALOG #

Model/Description	
CAT5-3IN-OR-PLENUM	CAT5 Cable for NX SmartPORT™ Devices, Plenum Rated, 3in, Orange
CAT5-3F-OR-PLENUM	CAT5 Cable for NX SmartPORT Devices, Plenum Rated, 3ft, Orange
CAT5-10F-OR-PLENUM	CAT5 Cable for NX SmartPORT Devices, Plenum Rated, 10ft, Orange
CAT5-25F-OR-PLENUM	CAT5 Cable for NX SmartPORT Devices, Plenum Rated, 25ft, Orange
CAT5-50F-OR-PLENUM	CAT5 Cable for NX SmartPORT Devices, Plenum Rated, 50ft, Orange
CAT5-100F-OR-PLENUM	CAT5 Cable for NX SmartPORT Devices, Plenum Rated, 100ft, Orange



Cat5 Cable

DIMENSIONS



NXSW2 Series

SPECIALTY WALL STATIONS





DATE: _____ LOCATION: _____

TYPE: _____ PROJECT: _____

CATALOG #: _____

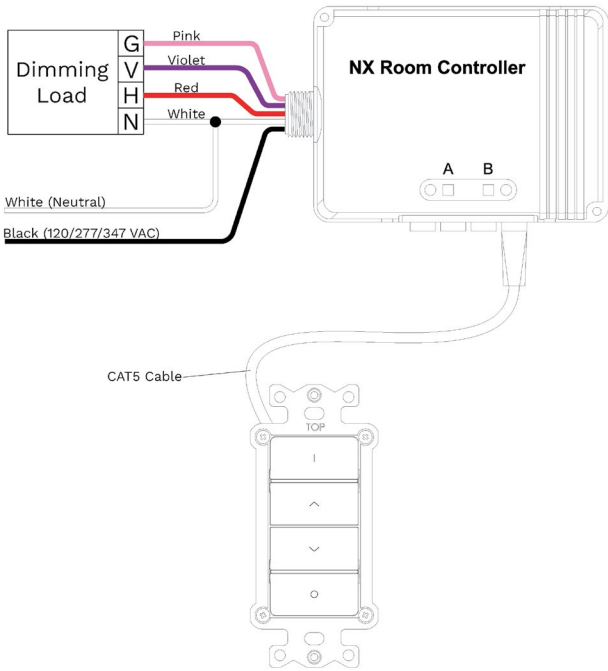
ADDITIONAL INFORMATION

Model Descriptions

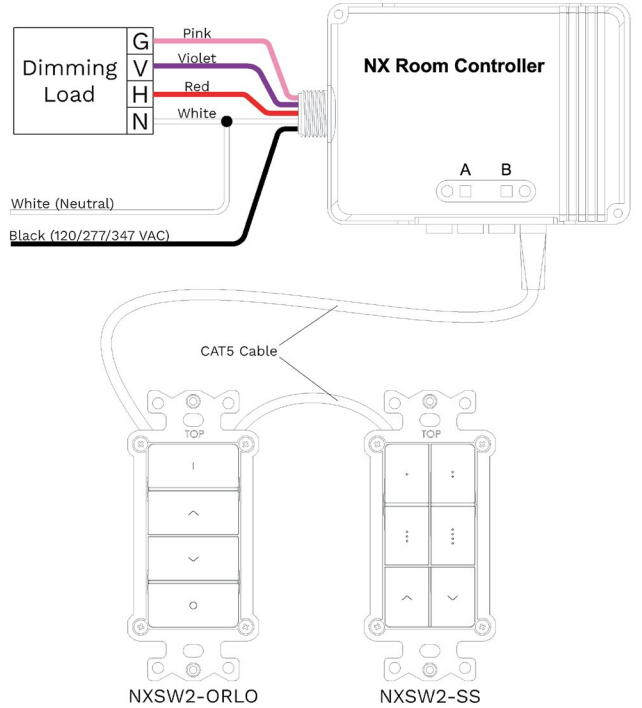
MODEL		TYPE	SETTINGS
NXSW2-ORLO		On/Raise/Lower/Off	Default configuration is to control all 16 groups. Use Manual Configuration or the App to limit the controlled groups. The ON button sends group ON to full dimming level. It can be configured to send a dimming level other than full. The OFF button sends group OFF to minimum dimming level. It can be configured to send a dimming level other than minimum.
NXSW2-SS		Scene Switch	Default configuration is to control all relays and dimmers in the connected room or area. The four preset buttons are factory set from top to bottom at 100%, 75%, 50%, and 25% dimming level with a 5 second fade time. All these settings can be changed using the App. The raise/lower buttons will increase or decrease the light level of all dimmed loads that are in the ON state. A single firm press and release of the lower button will turn off all lights controlled by the switch.
NXSW2-OO		On/Off Switch	Default configuration is to control relays and dimmers in all 16 groups. The On button sends group ON to full level and the Off button sends group OFF to minimum light level. Relay control is optional. These buttons cannot be configured for any other operation. Use Manual Configuration or the App to limit the number of groups controlled.
NXSW2-CCT		Color Control Switch	Default configuration is to control all relays and dimmers in the connected room or area. The four preset buttons are factory set from left to right at 6500K, 5200K, 4000K, and 2700K color temp level with a 5 second fade time. All these settings can be changed using the App. The raise/lower buttons will increase or decrease the color temp level of all dimmed loads that are in the ON state.

NXSW2 Series

SPECIALTY WALL STATIONS



NXSW2 WALL STATION WITH NX ROOM CONTROLLER



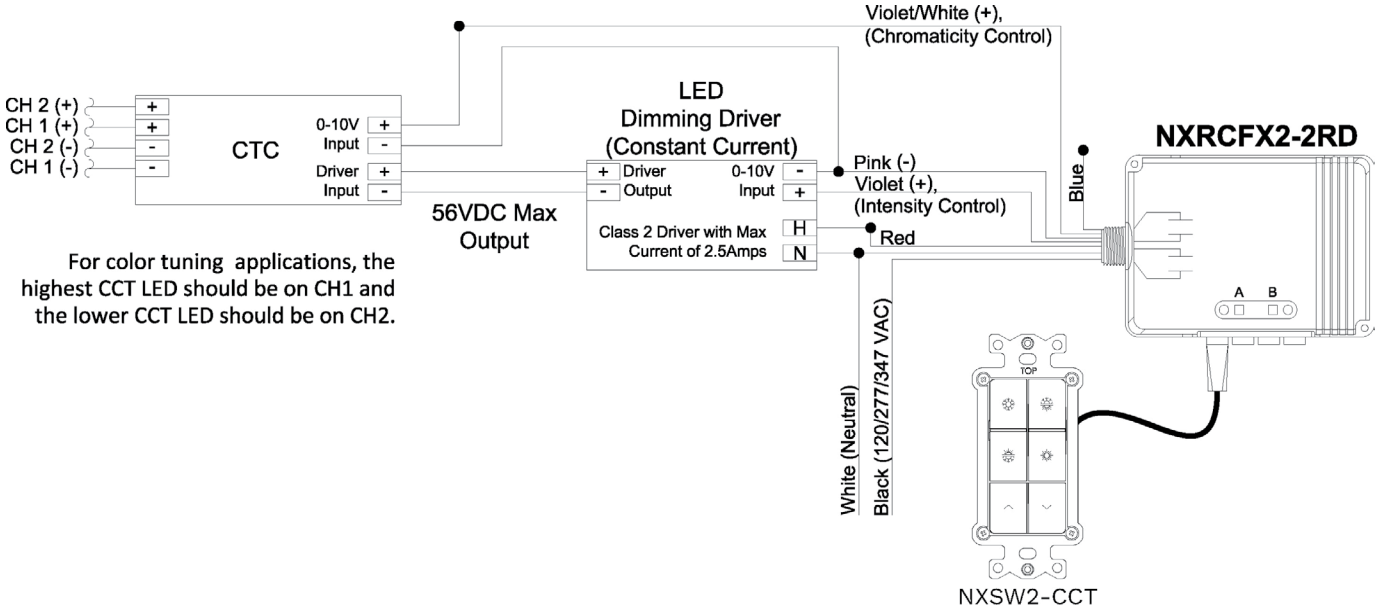
MULTIPLE NXSW2 WALL STATIONS DAISY CHAINED WITH NX ROOM CONTROLLER

NXSW2 Series

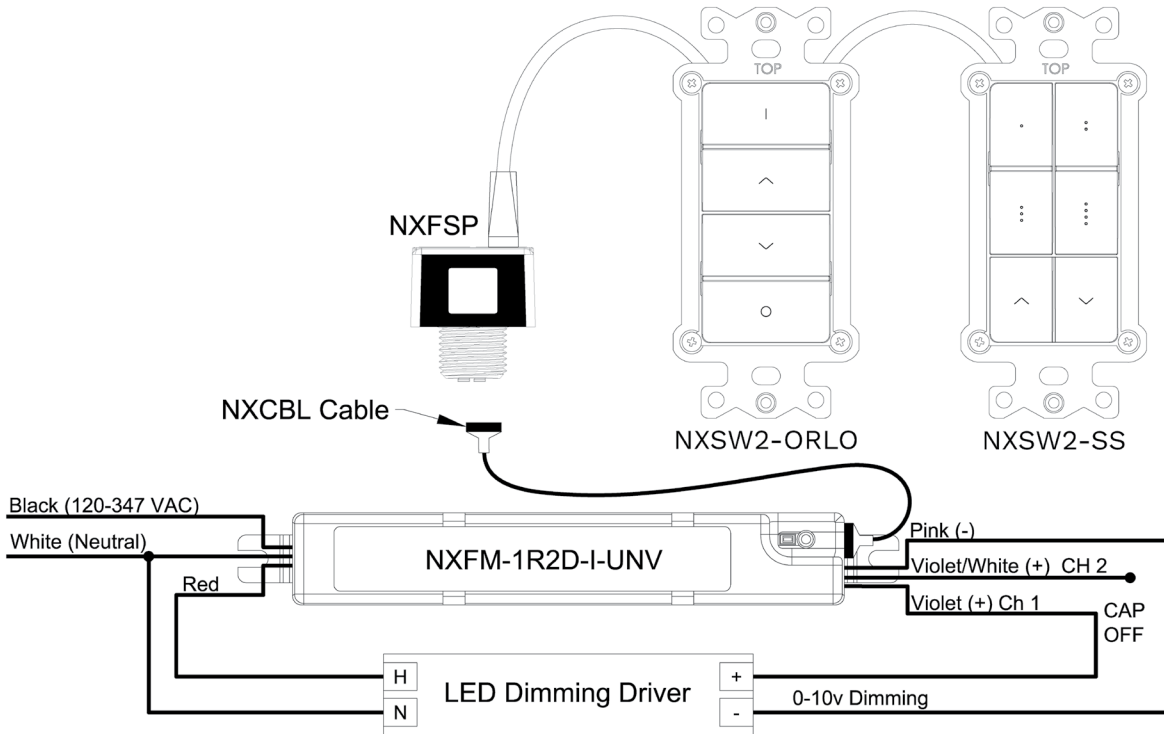
SPECIALTY WALL STATIONS

ADDITIONAL INFORMATION (CONTINUED)

Wiring Diagrams



NXSW2-CCT WALL STATION WITH NX ROOM CONTROLLER



MULTIPLE NXSW2 WALL STATIONS DAISY CHAINED WITH NX ENABLED LUMINAIRE