

NX Connect Wireless Controls

NXC-WA200 Series Room Controller

DESCRIPTION

NX Connect Wireless Lighting controls provide a simple and intuitive room based wireless solution solution to address and transform spaces into intelligent environments for buildings of all sizes. NX Connect provides room-based commissioning via the NX Connect app, which is available on the Apple® app store.

PRODUCT OVERVIEW

The NXC-WA200 Series Room Controllers provide zonal room control of 0-10V fixtures and plug loads in commercial application spaces. The Room Controllers can control any manufacturer's 0-10V fixtures and communicate with NX Connect Wireless Lighting Control products.

The NXC-WA200 series room controllers include single, dual and three zone configurations. The NXC-WA200 provides ON/OFF and/or 0-10V dimming for lighting fixtures control or ON/OFF for plug load based on occupancy, ambient light level, manual control.

- Up to 50% additional energy savings across lighting, plug load control and more
- Secure wireless communication
- Communicates with other NX Connect enabled devices (i.e. NXC-WOS3-PC sensors)

KEY FEATURES AND BENEFITS

- Provides zonal control of 0-10V Lighting (single, dual or three zones of controls options)
- 120-347V control
- 20A rated for plug load control
- Knockout mounting for easy installation
- Plenum rated
- Class 1 wiring for 0-10V dimming
- The auxiliary form C, Class 2 relay allows to integrate with BMS system providing room occupancy status via a NO or NC dry contact.

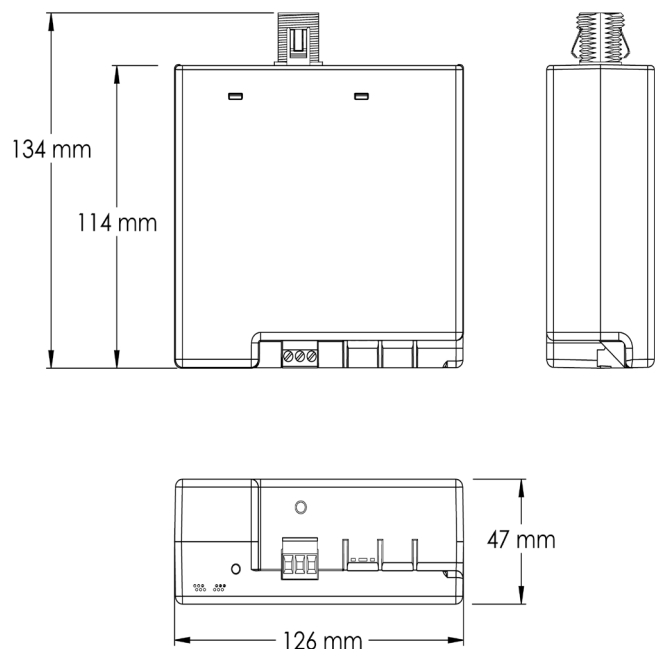


COMMISSIONING OPTIONS

- NX Connect mobile commissioning app for grouped or zoned control of 0-10V lighting in room based applications (app available on Apple App Store)

PRODUCT DIMENSIONS

Note: Dimensions shown in mm.



NX Connect Wireless Controls

NXC-WA200 Series Room Controller

SPECIFICATIONS

Dimensions	125 mm X 114.5 mm X 47 mm
Operating	-4°F to 149°F (-20°C to 65°C) indoor use (or inside non-metallic waterproof enclosure).
Mounting	Snap-in 1/2" nipple for junction box mount
Output	One, two or three outputs with 20A total current @ 120-347V AC (A+B+C < 20 A)
Power	120-347V AC 50/60 Hz
Ballast/Driver Control	One; two or three zones ON/OFF; 0-10V dimming
Plug Load Control	20A @ 120V
Dimming Output	One, two or three 0-10V outputs; 100 mA sync Max current
Aux Relay	Auxiliary form C relay; 0.5A@30VDC
Radio Properties	2.4GHz; +7 dBm transmit power
Compliance	UL plenum rated
Warranty	5 year limited warranty

PRODUCT SPECIFICATIONS

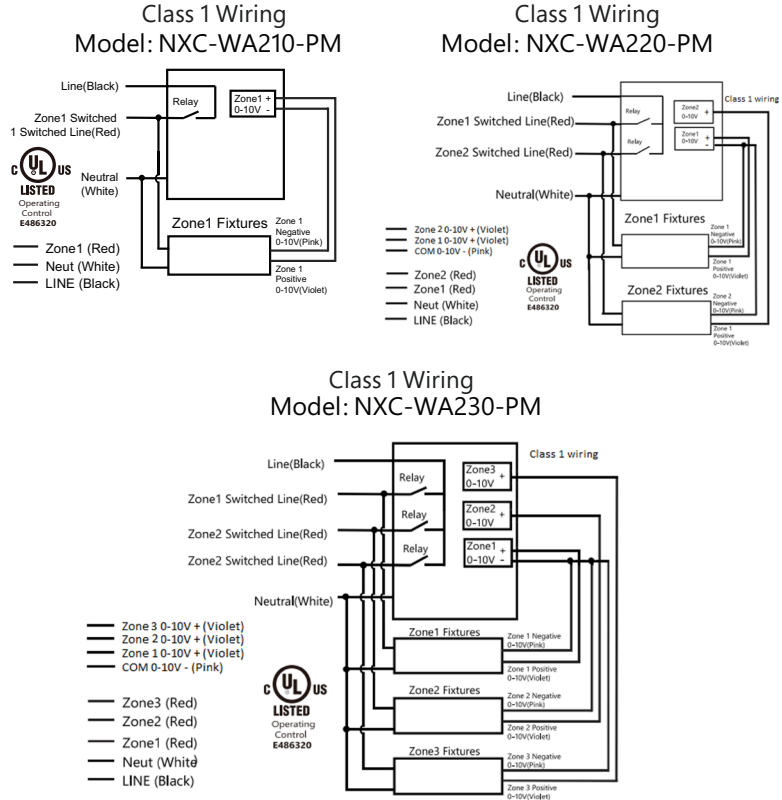
FFCC/IC IDs Contains FCC ID:2AS3F-A1028250
 Contains IC: 25008-A1028250



Operating Controls E486320



WIRING DIAGRAM



ORDERING INFORMATION

Product Description	Model Number
NX Connect Single-Zone Room Controller	NXC-WA210-PM
NX Connect Dual-Zone Room Controller	NXC-WA220-PM
NX Connect Three-Zone Room Controller	NXC-WA230-PM