

Pendant EPPE Series

LED Post Top Lighting



Project Name _____

Date _____ Type _____

Notes _____

GLI Brands Utility Roadway Representatives Exclusively

- Reliable, uniform, glare free illumination
- Type I, Type II, Type III, Type IV Wide, Type V Square, and Type V Wide distributions
- 3000K, 4000K, 5000K CCT
- 0-10V dimming ready

CONSTRUCTION

Housing:	Cast Aluminum 360 alloy
Lens:	LED engine, refractive optics, gasket and bezel plate
Paint:	Black, Dark Bronze, RAL & Customer colors available
Weight:	24lbs. (10.9kg)

OPTICAL SYSTEM

Lumens:	5,300-17,000
Distribution:	Type I, Type II, Type III, Type IV Wide, Type V Square & Type V Wide
Efficacy:	87-130
CCT:	3000K, 4000K & 5000K
CRI (Min):	70

ELECTRICAL

Input Voltage:	120-277V, 347V, 480V
Input Frequency:	50-60Hz
Power Factor:	≥0.9
Total Harmonic Distortion:	≤20%

SURGE PROTECTION*

Standard	Optional
10kV/5kA	

*Per ANSI C136.2-2015

WARRANTY

5 Year (Standard)

10 Year (Optional)

LUMEN MAINTENANCE

Projected Lxx per IES TM-21 at 25°C

SKU	LXX(10K) @ Hours		
	25,000 HR	50,000 HR	60,000 HR
EPPE	95%	92%	91%

Note: Projected LXX based on LM80 (> 10,000 hour testing). Accepted Industry tolerances apply to initial luminous flux and lumen maintenance measurements.

AMBIENT TEMPERATURE FACTOR

Ambient Temp (°C)	Initial Flux Factor	Ambient Temp (°C)	Initial Flux Factor
10	1.02	30	0.99
20	1.01	40	0.98
25	1.00		

RATINGS

Operating Temperature:	-40°C to 25°C
Vibration Rating:	1.5G per ANSI C136.31
LM-79:	Tested per IES Standards
EPA:	1.19 ft ²

CONTROLS

Dimming: Standard 0-10V

Project Name _____

Date _____ Type _____

Notes _____

EPPE 02

PROD. ID	GEN	VOLTAGE	LUMEN OUTPUT	DIST.	CCT	LENS	MOUNTING ARM	CONTROLS PER ANSI C136.41 ²	COLOR	OPTIONS
E = Evolve	02 = 2nd Gen	0 = 120-277V	225 = 5939 - 6840 Clear Drop Lens, 5010 - 5558 Diffused Drop Lens	A = Type I	30 = 3000K	CL = Clear Drop Lens	SA8 = Single Arm	A = 7-Pin PE-receptacle	BLCK = Black	HS = House Side Shield
P = Post Top		D = 347V	345 = 8443 - 10399 Clear Drop Lens, 7277 - 8073 Diffused Drop Lens	B = Type II	40 = 4000K	DL = Diffused Drop Lens	TA8 = Twin Arm	D = 7-Pin PE-receptacle w/ Shorting Cap	DKBZ = Dark Bronze	Y = Coastal
PE = Pendant		5 = 480V	700 = 15168 - 18575 Clear Drop Lens, 12973 - 14613 Diffused Drop Lens	C = Type III ¹	50 = 5000K			E = 7-Pin PE-receptacle w/ non-Dimming PE		XXX = Special Options
				E = Type IV, Wide						
				F = Type V, Square						
				G = Type V, Wide ¹						F = Fusing

1. Diffused lens only offered in C and G (DISTRIBUTION)
2. Control option contained within photocell accessory (see depiction on page 6)

PERFORMANCE DATA

CLEAR LENS						
Wattage	Lumen package	Lens	Distribution	Lumens		
				3000K	4000K	5000K
50	225	Clear	A	6087	6287	6522
			B	5587	5771	5987
			C	5514	5695	5908
			E	5442	5621	5832
			F	5849	6041	6268
			G	5327	5502	5708
78	345		A	8842	9132	9474
			B	8116	8383	8697
			C	8009	8273	8582
			E	7904	8164	8470
			F	8495	8775	9104
			G	7737	7991	8290
160	700		A	15884	16406	17021
			B	14580	15059	15623
			C	14388	14862	15418
			E	14200	14667	15217
			F	15262	15764	16355
			G	13899	14356	14894

DIFFUSED LENS						
Wattage	Lumen package	Lens	Distribution	Lumens		
				3000K	4000K	5000K
50	225	Diffused	C	4917	5079	5270
			G	4750	4907	5090
78	345		C	7142	7377	7654
			G	6899	7125	7393
160	700		C	12930	13354	13855
			G	12300	12705	13181

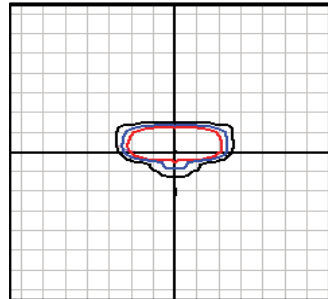
SHIELDED						
Wattage	Lumen package	Lens	Distribution	Lumens		
				3000K	4000K	5000K
50	225	Clear	A-HS	3184	3288	3412
			B-HS	2922	3019	3132
			C-HS	2884	2979	3090
			E-HS	2846	2940	3050
78	345		A-HS	4625	4777	4955
			B-HS	4245	4384	4549
			C-HS	4189	4327	4489
			E-HS	4134	4270	4430
160	700		A-HS	8308	8581	8903
			B-HS	7626	7877	8172
			C-HS	7526	7774	8064
			E-HS	7427	7670	7959

For additional information on Shielded and Non-Shielded EPPE IES files, please refer to LED.com

EPPE-02-0-700-A-40-CL

LUMINAIRE DATA

Description	4000 Kelvin, 70CRI
Delivered Lumens	17904
Watts	159.6
Efficacy	112
IES Type	I
BUG Rating	B2-U3-G3
Mounting Height	20 ft
Grid Scale	20 ft



20' Mounting Height

1.0 FC

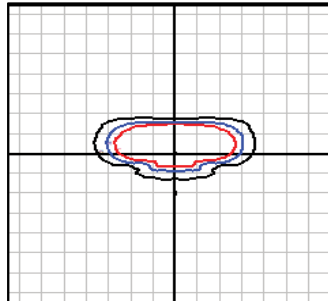
0.5 FC

0.2 FC

EPPE-02-0-700-B-40-CL

LUMINAIRE DATA

Description	4000 Kelvin, 70CRI
Delivered Lumens	16434
Watts	159.6
Efficacy	103
IES Type	II
BUG Rating	B3-U3-G3
Mounting Height	20 ft
Grid Scale	20 ft



20' Mounting Height

1.0 FC

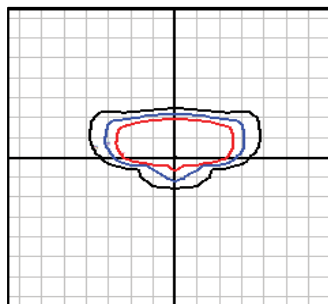
0.5 FC

0.2 FC

EPPE-02-0-700-C-40-CL

LUMINAIRE DATA

Description	4000 Kelvin, 70CRI
Delivered Lumens	16220
Watts	159.6
Efficacy	102
IES Type	III
BUG Rating	B2-U3-G3
Mounting Height	20 ft
Grid Scale	20 ft



20' Mounting Height

1.0 FC

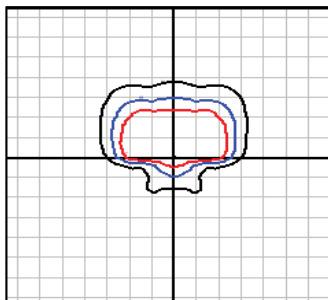
0.5 FC

0.2 FC

EPPE-02-0-700-E-40-CL

LUMINAIRE DATA

Description	4000 Kelvin, 70CRI
Delivered Lumens	16006
Watts	159.6
Efficacy	100
IES Type	IV
BUG Rating	B2-U3-G4
Mounting Height	20 ft
Grid Scale	20 ft



20' Mounting Height

1.0 FC

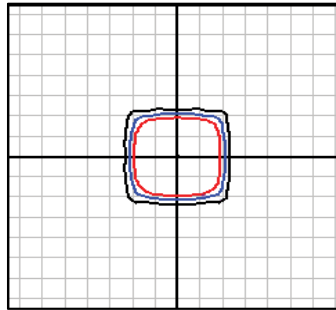
0.5 FC

0.2 FC

EPPE-02-0-700-F-40-CL

LUMINAIRE DATA

Description	4000 Kelvin, 70CRI
Delivered Lumens	17205
Watts	159.6
Efficacy	108
IES Type	VS-Square
BUG Rating	B4-U3-G3
Mounting Height	20 ft
Grid Scale	20 ft



20' Mounting Height

1.0 FC

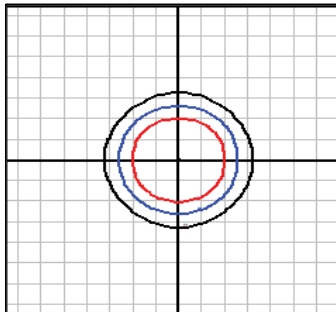
0.5 FC

0.2 FC

EPPE-02-0-700-G-40-CL

LUMINAIRE DATA

Description	4000 Kelvin, 70CRI
Delivered Lumens	15667
Watts	159.6
Efficacy	98
IES Type	VS-Wide
BUG Rating	B4-U3-G3
Mounting Height	20 ft
Grid Scale	20 ft



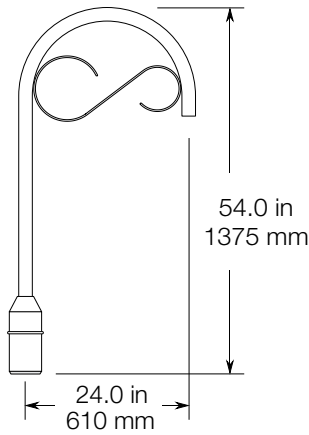
20' Mounting Height

1.0 FC

0.5 FC

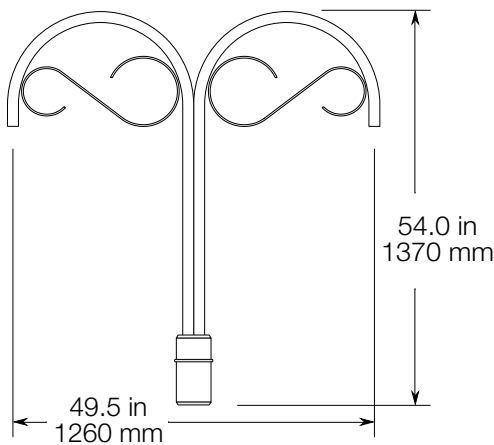
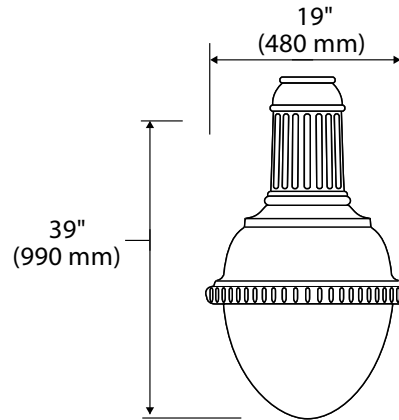
0.2 FC

MOUNTING

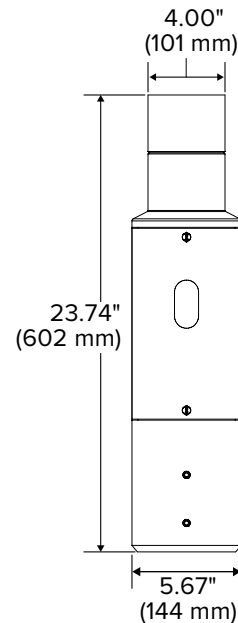


Single - SA8

DIMENSIONS



Double - TA8



PCA