



## E2SC Security Light

### LED Roadway Lighting

The **Evolve**® LED Security Light provides energy efficiency in a rugged, easy to install, light weight fixture. Current's advanced optical design offers Type III and Type V photometry with the versatility of a field installable refractor option to meet your lighting requirements.

### Construction

<b>Housing:</b>	Aluminum die cast enclosure
<b>Lens:</b>	Impact resistant tempered glass (non refractor version)
<b>Weight:</b>	8.5 lbs (3.8 kgs) without mounting bracket

### Optical System

<b>Lumens:</b>	3,550 - 9,000 lm
<b>Distribution:</b>	Type III, Type V and Type V Short
<b>Efficacy:</b>	108-161 LPW
<b>CCT:</b>	2700K, 3000K, 4000K
<b>CRI:</b>	≥70

### Electrical

<b>Input Voltage:</b>	120-277V
<b>Input Frequency:</b>	50/60Hz
<b>Power Factor:</b>	≥ 90 at rated watts
<b>Total Harmonic Distortion:</b>	≤ 20% at rated watts

### Surge Protection\*

STANDARD	OPTIONAL
6kV/3kA	Secondary 10kV/5kA (R Option)
	Secondary 20kV/10kA (T Option)

\*Per ANSI C136.2-2018

### Controls

<b>Dimming:</b>	Standard - 0-10V Optional = DALI (Option U)
<b>Sensors:</b>	Photo Electric Sensors (PE) available LightGrid and Daintree Compatible

### WARRANTY

5 Year (Standard)

### Lumen Maintenance

Projected Lxx per IES TM-21 at 25°C

OPTIC	LUMEN CODES	LXX(10K) @ HOURS		
		25,000 HR	50,000 HR	60,000 HR
C6 Type III	08	93	86	83
	05, 06, 07	98	96	95
	04	99	99	99
V6 Type V	06, 07	93	89	87
	05	96	93	92
	04	96	94	93
S6 Type V Short	08, 09	94	91	89
	05, 06, 07	95	93	92
	04	96	95	94

Note: Projected Lxx based on LM80 (≥ 10,000 hour testing). Accepted industry tolerances apply to initial luminous flux and lumen maintenance measurements.

### Ambient Temperature Factor

AMBIENT TEMP (°C)	INITIAL FLUX FACTOR	AMBIENT TEMP (°C)	INITIAL FLUX FACTOR
10	1.02	30	0.99
20	1.01	40	0.98
25	1.00		

### Ratings

<b>Operating Temperature:</b>	-40°C to 40°C
<b>Vibration:</b>	3G per ANSI C136.31-2010
<b>LM-79:</b>	Tested in accordance with IES Standards
<b>EMI:</b>	Title 47 CFR Part 15 Class A



### Ordering Information

**E 2 S C 0**

PROD. ID	VOLTAGE	LUMENS	DISTRIBUTION	REFRACTOR	CCT	CONTROLS PER ANSI C136.41	MOUNTING	POWER LEADS	OPTIONS
E = Evolve	0 = 120-277	04	C6 = Type III <sup>1</sup>	N = None (zero uplight)	27 = 2700K	A = 7-Pin Receptacle	N = None	N = None	C1 = Captive Door
2SC = Security Light		05	V6 = Type V	R = Factory Installed Refractor	30 = 3000K	D = 7-Pin Receptacle with Shorting Cap	L = Long 24 in. bracket <sup>2</sup>	3 = 3 ft # 14 Leads	L = Tool-Less Entry
		06	S6 = Type V Short		40 = 4000K	E = 7-Pin Receptacle with Long Life Non-Dimming PE in Box		5 = 5 ft # 14 Leads	R = Secondary Surge Protection (10Kv/5Ka)
		07						8 = 8 ft # 14 Leads	T = Secondary Surge Protection (20Kv/10Ka)
		08							U = DALI Programmable <sup>3</sup>
		09							XXX = Special Options

<sup>1</sup> See ISO Plot page for the typical C6 distribution - this optic is designed to address a Roadway Photometric Application and is a Type III without the refractor, and Type IV with a refractor.

<sup>2</sup> For Mounting on Wood Pole

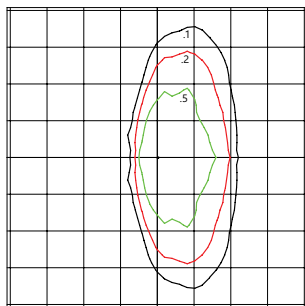
<sup>3</sup> Compatible with LightGrid

LUMEN OUTPUT	DIST.	LUMENS			WATTAGE	BUG RATINGS - FLAT GLASS			BUG RATINGS - SAG REFRACTOR		
		4000K	3000K	2700K	120-277V	4000K	3000K	2700K	4000K	3000K	2700K
04	C6	4000	3800	3520	29	B1-U0-G1	B1-U0-G1	B1-U0-G1	B1-U3-G2	B1-U3-G2	B1-U3-G2
	V6	4000	3880	3760	30	B2-U0-G0	B2-U0-G0	B2-U0-G0	B2-U2-G1	B1-U2-G1	B1-U2-G1
	S6	4000	3880	3760	25	B2-U0-G0	B2-U0-G0	B2-U0-G0	B2-U2-G1	B2-U2-G1	B2-U2-G1
05	C6	5000	4750	4400	36	B1-U0-G1	B1-U0-G1	B1-U0-G1	B1-U3-G2	B1-U3-G2	B1-U3-G2
	V6	5000	4850	4700	39	B2-U0-G1	B2-U0-G0	B2-U0-G0	B2-U3-G1	B2-U3-G1	B2-U3-G1
	S6	5000	4850	4700	31	B2-U0-G0	B2-U0-G0	B2-U0-G0	B2-U2-G1	B2-U2-G1	B2-U2-G1
06	C6	6000	5700	5280	45	B1-U0-G2	B1-U0-G2	B1-U0-G2	B1-U3-G3	B1-U3-G3	B1-U3-G3
	V6	6000	5820	5640	49	B2-U0-G1	B2-U0-G1	B2-U0-G1	B2-U3-G1	B2-U3-G1	B2-U3-G1
	S6	6000	5820	5640	38	B3-U0-G0	B2-U0-G0	B2-U0-G0	B2-U2-G1	B2-U2-G1	B2-U2-G1
07	C6	7000	6650	6160	55	B2-U0-G2	B1-U0-G2	B1-U0-G2	B1-U3-G3	B1-U3-G3	B1-U3-G3
	V6	7000	6790	6580	61	B2-U0-G1	B2-U0-G1	B2-U0-G1	B2-U3-G1	B2-U3-G1	B2-U3-G1
	S6	7000	6790	6580	46	B3-U0-G1	B3-U0-G1	B3-U0-G1	B3-U3-G1	B3-U3-G1	B3-U3-G1
08	C6	8000	7410	6870	62	B2-U0-G2	B2-U0-G2	B1-U0-G2	B2-U3-G3	B1-U3-G3	B1-U3-G3
	S6	8000	7760	7520	54	B3-U0-G1	B3-U0-G1	B3-U0-G1	B3-U3-G1	B3-U3-G1	B3-U3-G1
09	S6	9000	8730	8460	63	B3-U0-G1	B3-U0-G1	B3-U0-G1	B3-U3-G1	B3-U3-G1	B3-U3-G1

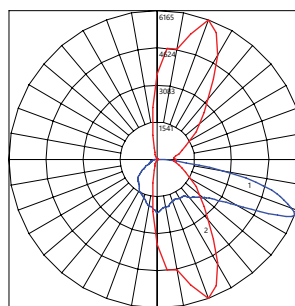
For additional information on E2SC IES files, please refer to LED.com

### Photometric Plots

**E2SC**  
Type III - No Refractor  
(08C6N40)  
  
8,000 Lumens  
4000K  
E2SC\_08C6N40\_...IES

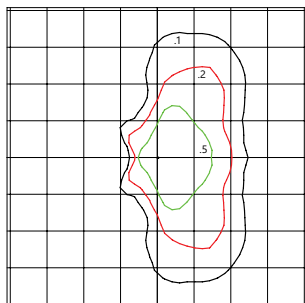


- Mounting Height at 30'
- Initial Footcandle Values at Grade

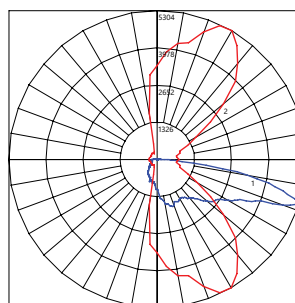


- Vertical plane through horizontal angle of Max. Cd at 70°
- Horizontal cone through vertical angle of Max. Cd at 68°

**E2SC**  
Type IV - Refractor  
(06C6R40)  
  
8,000 Lumens  
4000K  
E2SC\_06C6R40\_...IES

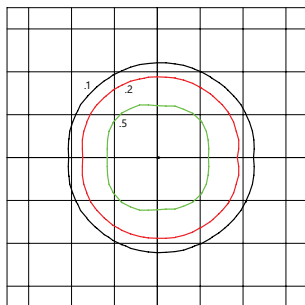


- Mounting Height at 30'
- Initial Footcandle Values at Grade

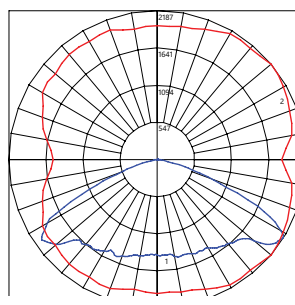


- Vertical plane through horizontal angle of Max. Cd at 60°
- Horizontal cone through vertical angle of Max. Cd at 73°

**E2SC**  
Type V - No Refractor  
(07V6N40)  
  
7,000 Lumens  
4000K  
E2SC\_07V6N40\_...IES

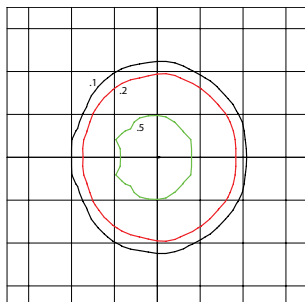


- Mounting Height at 30'
- Initial Footcandle Values at Grade

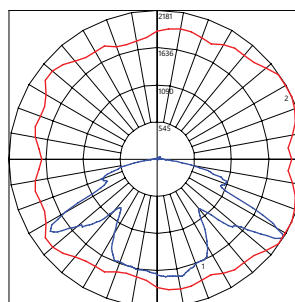


- Vertical plane through horizontal angle of Max. Cd at 40°
- Horizontal cone through vertical angle of Max. Cd at 58°

**E2SC**  
Type V - Refractor  
(07V6R40)  
  
7,000 Lumens  
4000K  
E2SC\_07V6R40\_...IES



- Mounting Height at 30'
- Initial Footcandle Values at Grade

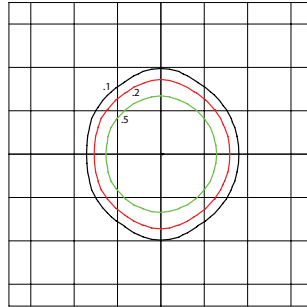


- Vertical plane through horizontal angle of Max. Cd at 25°
- Horizontal cone through vertical angle of Max. Cd at 58°

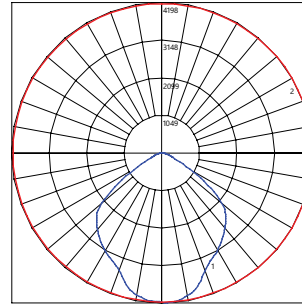
### Photometric Plots

**E2SC**  
Type VS - No Refractor  
(09S6N40)

9,000 Lumens  
4000K  
E2SC\_09S6N40\_...IES



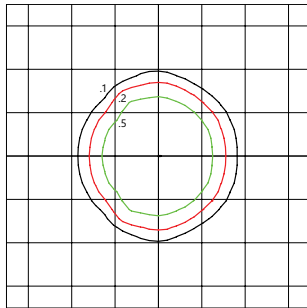
- Mounting Height at 30'
- Initial Footcandle Values at Grade



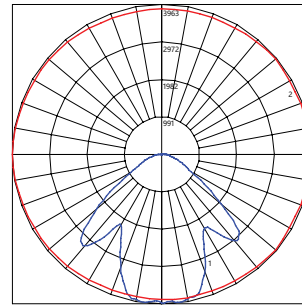
- Vertical plane through horizontal angle of Max. Cd at 70°
- Horizontal cone through vertical angle of Max. Cd at 68°

**E2SC**  
Type VS - Refractor  
(09S6R40)

9,000 Lumens  
4000K  
E2SC\_09S6R40\_...IES



- Mounting Height at 30'
- Initial Footcandle Values at Grade



- Vertical plane through horizontal angle of Max. Cd at 60°
- Horizontal cone through vertical angle of Max. Cd at 73°+

CUSTOMER NAME \_\_\_\_\_

PROJECT NAME \_\_\_\_\_

DATE \_\_\_\_\_ TYPE \_\_\_\_\_

CATALOG NUMBER \_\_\_\_\_



### House Side Shield - E2SC/ERLC

DESCRIPTION
ELSHS-ERLC-BLCK
ELSHS-ERLC-GRAY

\*E2SC shields are designed for Flat Glass Versions only.

### Street Side Shield - E2SC/ERLC

DESCRIPTION
ELSFS-ERLC-BLCK-10
ELSFS-ERLC-BLCK-15
ELSFS-ERLC-BLCK-20

\*E2SC shields are designed for Flat Glass Versions only.

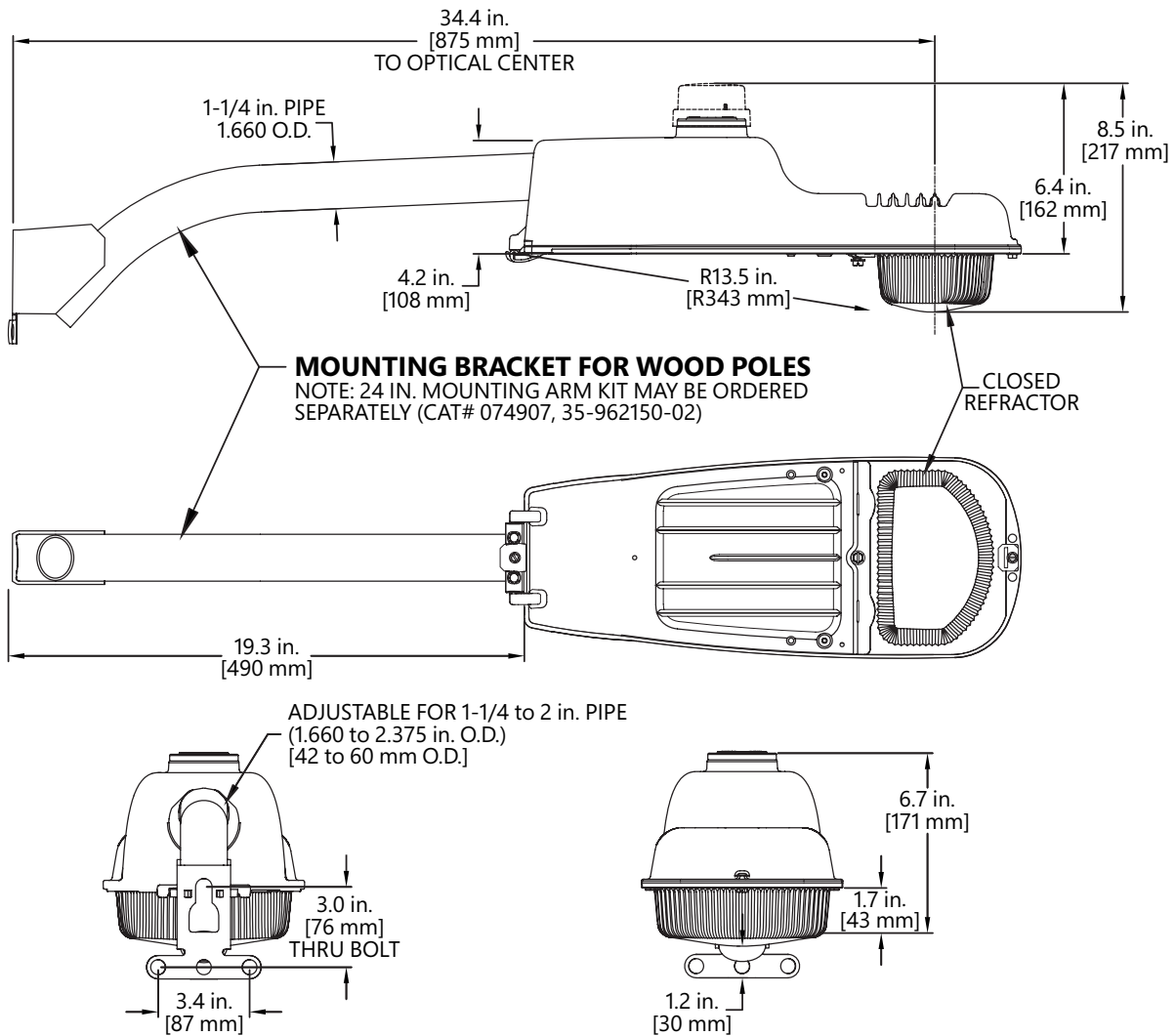


### Side Shield (L & R) - E2SC/ERLC

DESCRIPTION
ELS-ERLC-LEFTRIGHTSIDEKIT-BLCK-10
ELSHS-ERLC-GRAY

Shipped as a kit - L & R can be used independently

\*E2SC shields are designed for Flat Glass Versions only.



### Mounting

- Suggested Mounting Height: 12-28 ft. (4-8 M)
- Adjustable for 1.25 to 2 in. nominal mounting pipe
- Integral diecast mounting pipe stop
- Slipfitter with +/- 5 degrees of leveling adjustment

### Effective Projected Area

- 0.38 sq ft.

### Weight

- Approximate net weight: 8.5 lbs (3.8 kgs) without mounting bracket.
- With 24 in. (61 cm) Mounting Bracket: 13.4 lbs (6.1 kgs)

### Accessories

SAP NUMBER	PART NUMBER	DESCRIPTION
74907	35-962150-02	24 in. Mounting Arm Kit for Wood Poles
93122446	ESR-E2SC-A	Field Installable Refractor Kit

### Networked Lighting Control



Current's LightGrid™ Outdoor Lighting Control System is designed for Street and Roadway Applications. It enables remote monitoring, control, and asset management of a single fixture or a group of fixtures through a web enabled Central Management System.