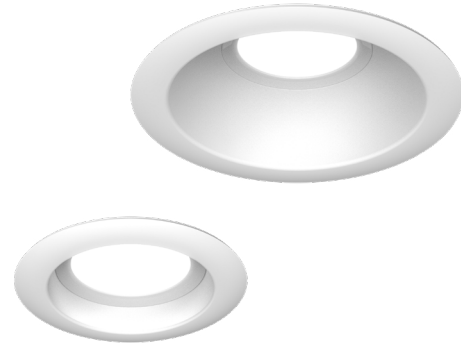


LBRA-RD

LITEBOX A-SERIES RETROFIT DOWNLIGHT TRIM

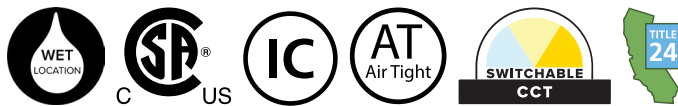
DATE: _____ LOCATION: _____
 TYPE: _____ PROJECT: _____
 CATALOG #: _____

LITEBOX® tradeSELECT®
 a-series



FEATURES

- 4" and 6" aperture retrofit downlight and wall wash trim
- 700 or 1000 nominal delivered lumens
- Switchable CCT – 2700K/3000K/3500K/4000K/5000K
- 90 CRI standard
- Universal Voltage (120-277V), ideal for commercial applications
- Phase Dimmable to 5% (120V Triac/ELV)
- Retrofit into existing incandescent recessed housings with accessory or use with compatible dedicated LED Quick Link housings



SERVICE PROGRAMS



SPECIFICATIONS

CONSTRUCTION

- For use in New Construction, Remodel, or Retrofit applications
- Compatible with dedicated LED Quick Link recessed housings or retrofit into existing incandescent housings (IC and Non-IC) with E26 screw-base adapter accessory

OPTICS

- Spun aluminum reflector, available in highly reflective white or black trim color
- Durable, regressed polycarbonate lens
- Diffuse light distribution is uniform and visually comfortable

ELECTRICAL

- LED array with 3 SDCM color consistency
- Long LED life: Maintains 70% of lumen output at 50,000 hours of operation, L70 at >50,000 hours (TM-21)
- Switchable CCT (2700K/3000K/3500K/4000K/5000K)
- 90+ CRI with R9 >50
- High efficiency integral driver with universal 120V-277V, 50/60Hz
- All models have flicker-free dimming with 120V Phase cut (Triac or ELV) to 5%
- See Additional Information section for a list of recommended dimmers
- EMI: Meets Class A (<24dba) noise rating, FCC CFR 47 Part 15 Class B
- ≥0.9 Power Factor, <20% THD

INSTALLATION

- Pre-installed friction springs securely mount trim module assembly into compatible housings
- Trim module is provided with Quick Link LED connector to easily mate to compatible dedicated LED housings or to optional E26 socket adapter accessory
- All models come standard with a pre-installed neoprene gasket for optimum air seal between trim flange and ceiling surface
- CCT can be selected at installation with integral switch on the driver

CERTIFICATIONS

- cCSAus listed to UL1598
- Can be used in direct contact with insulation (IC Rated)
- Suitable for wet locations, covered ceiling
- Suitable for use in clothes closets when installed in accordance to N.E.C. 410.16
- Air tight certified per ASTM E283
- Meets CA Title 24 High Efficacy (JA8-2019) requirements

WARRANTY

- 5 year warranty

KEY DATA	
Lumen Range	752-1134
Wattage Range	9.4-13.4
Efficacy Range (LPW)	73-87
Reported Life (Hours)	L70 / >50,000
Input Current (mA)	78-112

LBRA-RD

LITEBOX A-SERIES RETROFIT DOWNLIGHT TRIM

DATE: _____ LOCATION: _____
 TYPE: _____ PROJECT: _____
 CATALOG #: _____



ORDERING GUIDE

Example: LBRA-6RD-T-07LCS9-WH

CATALOG #

HOUSING

LBRA		T		CS9	WH
Model/CCT Configuration	Aperture/Shape/Function	Trim	Nominal Lumens	CCT/CRI	Trim Color
LBRA Recessed Retrofit Trim, Switchable CCT, 120-277V with Phase Dimming (120V Triac/ELV) to 5% ¹	4RD 4" Round Downlight 6RD 6" Round Downlight 6RW 6" Round Wall Wash	T Trim Module	07L 700 Lumens (4" only) 10L 1000 Lumens (6" only)	CS9 Switchable CCT, 90 CRI 2700K/3000K/3500K/4000K/5000K	WH White BL Black

Accessories

- LB-SKT** Accessory, E26 socket adapter for retrofit into existing incandescent recessed housings

Notes:

- 1 Phase (Triac/ELV) dimming when connected to 120V circuit only.

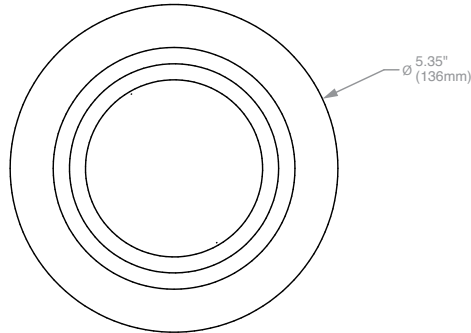
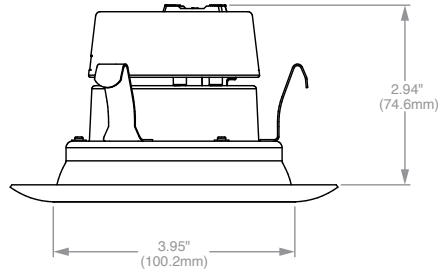
PERFORMANCE SUMMARY

Nominal Aperture	Nominal Lumens	Cat #	CCT	CRI	Delivered Lumens	Watts	LPW
4"	700	LBRA-4RD-T-07LCS9-WH	27K	90	752	9.4	80
		LBRA-4RD-T-07LCS9-WH	30K		770	9.4	82
		LBRA-4RD-T-07LCS9-WH	35K		792	9.4	84
		LBRA-4RD-T-07LCS9-WH	40K		808	9.4	86
		LBRA-4RD-T-07LCS9-WH	50K		818	9.4	87
6"	1000	LBRA-6RD-T-10LCS9-WH	27K		1039	13.3	78
		LBRA-6RD-T-10LCS9-WH	30K		1067	13.3	80
		LBRA-6RD-T-10LCS9-WH	35K		1096	13.3	82
		LBRA-6RD-T-10LCS9-WH	40K		1120	13.3	84
		LBRA-6RD-T-10LCS9-WH	50K		1134	13.3	85
		LBRA-6RW-T-10LCS9-WH	27K		980	13.4	73
		LBRA-6RW-T-10LCS9-WH	30K		1006	13.4	75
		LBRA-6RW-T-10LCS9-WH	35K		1033	13.4	77
		LBRA-6RW-T-10LCS9-WH	40K		1056	13.4	79
		LBRA-6RW-T-10LCS9-WH	50K		1069	13.4	80

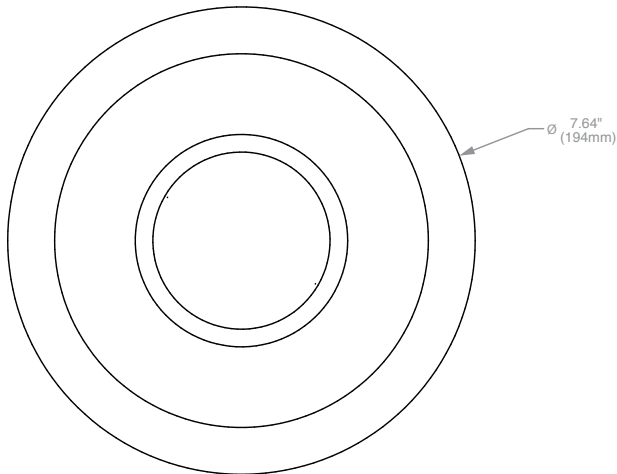
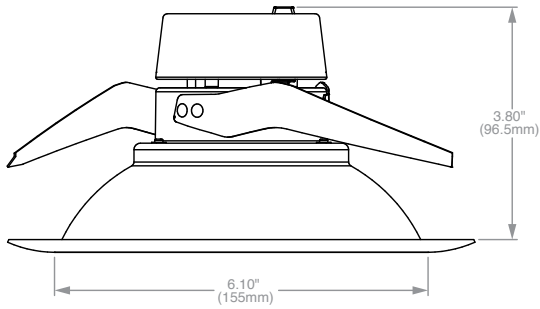
LBRA-RD

LITEBOX A-SERIES RETROFIT DOWNLIGHT TRIM

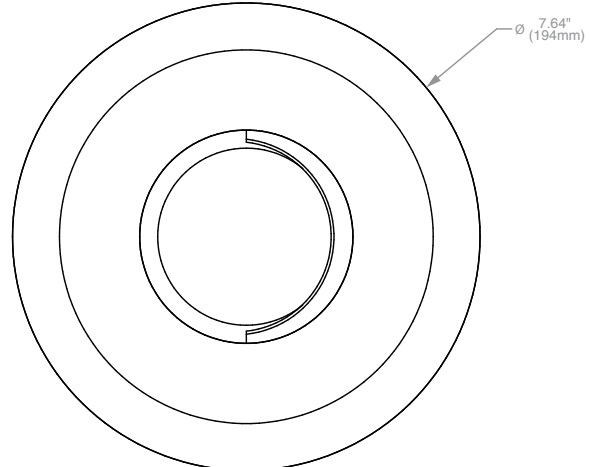
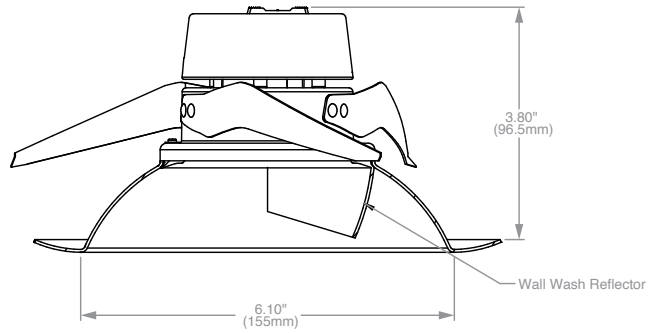
DIMENSIONS



4" Downlight
LBRA-4RD



6" Downlight
LBRA-6RD



6" Wall Wash
LBRA-6RW

LBRA-RD

LITEBOX A-SERIES RETROFIT DOWNLIGHT TRIM

PHOTOMETRY

LBRA-4RD-T-07LCS9-WH

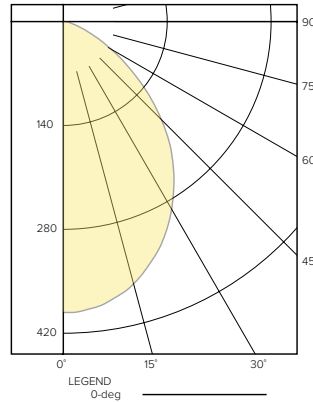
LUMINAIRE DATA

Test No.	21.01223
Description	4" Retrofit Trim, Switchable CCT, @3000K, 90 CRI
Delivered Lumens	770
Watts	9.4
Efficacy	82
Mounting	Recessed
Spacing Criterion	1.1
Beam Angle (FWHM)	88

ZONAL LUMEN SUMMARY

Zone	Lumens	% Luminaire
0-40	455	59.1
0-60	699	90.7
0-90	770	100.0
0-180	770	100.0

POLAR GRAPH



CANDELA DISTRIBUTION

Degree	Candela
0	397
5	394
15	370
25	325
35	263
45	189
55	109
65	48
75	15
85	5
90	0

LUMINANCE DATA*

Vertical Angle	Average
45°	32975
55°	23478
65°	13867
75°	7226
85°	7153

*Candela/Square Meter

LBRA-6RD-T-10LCS9-WH

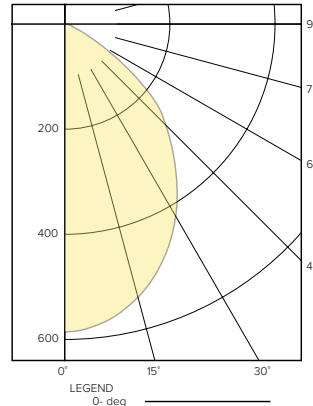
LUMINAIRE DATA

Test No.	21.01228
Description	6" Retrofit Trim, Switchable CCT, @3000K, 90 CRI
Delivered Lumens	1067
Watts	13.3
Efficacy	80
Mounting	Recessed
Spacing Criterion	1.1
Beam Angle (FWHM)	86

ZONAL LUMEN SUMMARY

Zone	Lumens	% Luminaire
0-40	661	62
0-60	1004	94.1
0-90	1067	100.0
0-180	1067	100.0

POLAR GRAPH



CANDELA DISTRIBUTION

Degree	Candela
0	593
5	586
15	545
25	473
35	377
45	275
55	145
65	41
75	14
85	5
90	0

LUMINANCE DATA*

Vertical Angle	Average
45°	21328
55°	13823
65°	5248
75°	2999
85°	3181

*Candela/Square Meter

LBRA-RD

LITEBOX A-SERIES RETROFIT DOWNLIGHT TRIM

DATE: _____ LOCATION: _____

TYPE: _____ PROJECT: _____

CATALOG #: _____

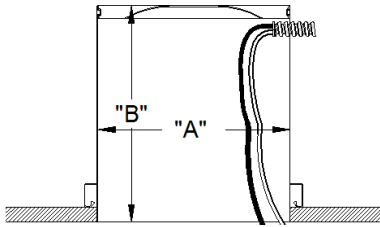
ADDITIONAL INFORMATION

Dimming Compatibility

For more details and recommended dimmer list, see Dimming Compatibility Information on currentlighting.com/prescolite.

Housing Compatibility

LiteBox® A-Series Retrofit Downlight trims are ETL classified for use with Prescolite and most competitive New Construction or Remodel recessed cans (with "A" and "B" volume dimension shown below)



Compatible Recessed Housing Dimensions				
Nominal Aperture	Cat #	"A" Min.	"A" Max.	"B" Min.
4"	LBRA-4RD	4.31" (109.5 mm)	5.13" (130.3 mm)	3.50" (88.9 mm)
	LBRA-6RD	6.31" (160.27 mm)	7.13" (181.1 mm)	5.50" (139.7 mm)
6"	LBRA-6RW			