

LBRP-RD

LITEBOX PRO ROUND DOWNLIGHT

DATE: _____ LOCATION: _____
 TYPE: _____ PROJECT: _____
 CATALOG #: _____

LITEBOX[®]
pro

FEATURES

- 4", 6" and 8" apertures
- Spun aluminum anodized or white trim, 55° cutoff
- Switchable Lumen, CCT, and Adjustable Beam Angle
- New construction housing accessories available
- Universal voltage with 0–10V Dim to Off



Intertek



SPECIFICATIONS

CONSTRUCTION

- Canless New Construction or Remodel, Non-IC.
- Integral wiring compartment (standard) can eliminate the need for an additional J-Box
- Retention tether provided to secure to building structure if needed
- Fixture modules can be used with interchangeable trims in 3 apertures

OPTICS

- High quality spun aluminum reflector with 55° source cutoff provides balance of optical performance and visual comfort
- Diffuse anodized cone with white or matching flange or white cone and flange trims available
- Optical assembly standard with dial-in beam angle from 55°–75° with indicators
- Optimized for general illumination applications with up to 1.0 spacing criterion typical
- Polycarbonate lensed optic, suitable for wet location, covered ceiling applications

ELECTRICAL

- 90 CRI LED array with 3 SDCM color consistency
- Maintains 70% of lumen output at >54,000 hours of operation (L70 at >54,000hr TM-21)
- Switchable Lumen settings:
SL (700/1050/1400 lm);
ML (1900/2300/2700 lm);
HL (4000/4500/5500 lm)
- Operating Temperature Range:
-20° C to 25° C (standard models)
0° C to 25° C (-EMR models with LDEMGBKIT)

ELECTRICAL (CONTINUED)

- Integral universal voltage (120–277V) driver, 50/60Hz 0–10V Dim to Off
- Meets Class A (<24dba) noise rating
- FCC CFR 47 Part 15 Class B
- ≥ 0.9 Power Factor, <20% THD
- Optional 90-minute Emergency Battery Backup kit accessory with remote test switch
- 120–347V driver available. See ordering guide for compatible options
- For more details and recommended dimmer list, see Dimming Compatibility Information on currentlighting.com/prescolite

INSTALLATION

- Robust trim mounting springs hold fixture firmly against ceiling surface
- Accommodates ceiling thicknesses up to 2"
- Fixture installs below the ceiling without a housing
- Optional new construction mounting pans with bar hangers available
- Switchable CCT: Field select one of five CCTs at installation with an integral switch on back of fixture module. (SL and ML only)
- Switchable Lumen: Field select one lumen output at installation with an integral switch on back of fixture module
- Optional Switch Lock Accessory kit available to field preset lumen output.
- Switchable Beam: Field adjust beam angle using optical dial and indicator on module

SERVICE PROGRAMS

tradeSELECT[™]



CERTIFICATIONS

- cETLus listed to UL1598
- Certified Air Tight per ASTM E283
- Suitable for wet locations, covered ceilings
- EMR: Certified under UL 924 standard for emergency lighting and power equipment
- Emergency battery pack is California Energy Commission (CEC) Title 20 Compliant

WARRANTY

- 5 year warranty

KEY DATA	
Lumen Range	785–5876
Wattage Range	9.3–56.9
Efficacy Range (LPW)	82–103
Lumen Maintenance	L70 >54,000
Input Current (mA)	78–474

Based on Diffuse Anodized 3000K, 90 CRI

ORDERING GUIDE

Example: LBRP-M-LSSLCS9-WD / LBRP-4RD-T-D

CATALOG #

FIXTURE MODULE

LBRP-M-LS			Options		WD	
Model/Type	Lumen Output	CCT/CRI	Voltage		Distribution	
LBRP-M-LS	SL 700/ 1050 /1400 lumens	CS9 Switchable CCT (2700/3000/ 3500 /4000/5000K), 90 CRI ²	Standard with 120–277V, 0–10V Dim to Off		Standard without EMR capability	WD 55–75° (1.0–1.06 SC)
	ML 1900/ 2300 /2700 lumens		34 120–347V, 0–10V Dimming to 5% ³	EMR Emergency Battery Backup Ready ^{3,4}		
	HL 4000/ 4500 /5500 lumens ^{1,2}	27K9 2700K, 90 CRI				
		30K9 3000K, 90 CRI				
		35K9 3500K, 90 CRI				
	40K9 4000K, 90 CRI					
	50K9 5000K, 90 CRI					

Switchable Lumen and CCT settings in **BOLD** indicate the default setting.

TRIM (ORDER SEPARATELY)

LBRP	Aperture/Shape/Function	T	Reflector Finish/Color
Model		Trim	
LBRP LiteBox Pro Trim	4RD 4" Round Downlight	T Trim	D Diffuse Clear Anodized
	6RD 6" Round Downlight		WC White Cone and Flange
	8RD 8" Round Downlight		DWT Diffuse Clear Anodized with White Flange

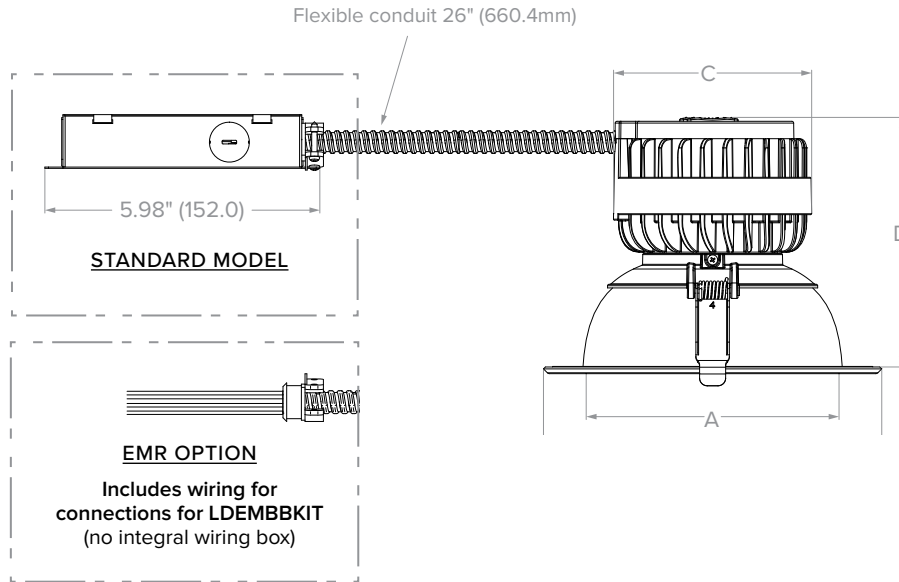
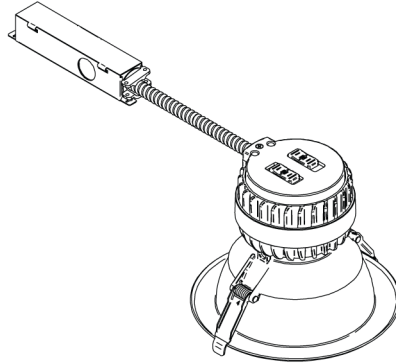
Accessories (Order separately)

- FRAME4R-HB** 4" Round new construction housing
- FRAME6R-HB** 6" Round new construction housing
- FRAME8-HB** 8" Round & square combination new construction housing ⁵
- J-BOX** New construction housing compatible junction box ⁶
- LDEMBKIT** Emergency Battery (CEC T20 compliant) Kit., remote test switch ^{3,4}
- LBRP-LLOCK 16PK** Accessory, Lumen Switch Lock, 16 Pack

Notes:

- 1 HL Compatible with 6RD or 8RD only.
- 2 CS9 not available with HL.
- 3 347V option dims to 5% and is not compatible with emergency battery kit.
- 4 EMR Ready module option must be ordered with LDEMBKIT.
- 5 Housing comes ready for round trims as shown.
- 6 Junction box is not required but available as needed to meet local electrical codes.

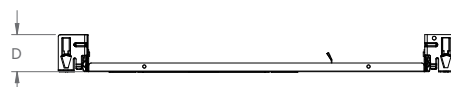
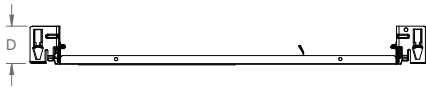
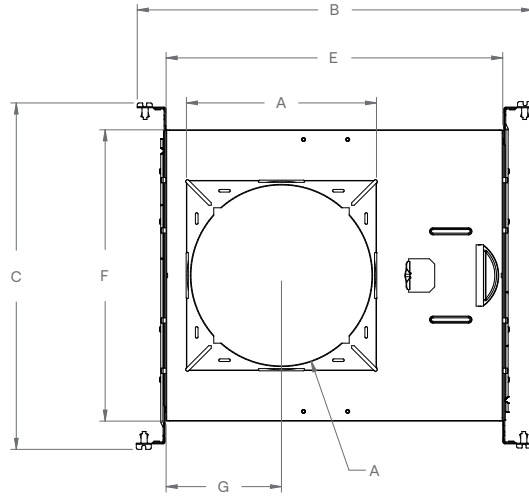
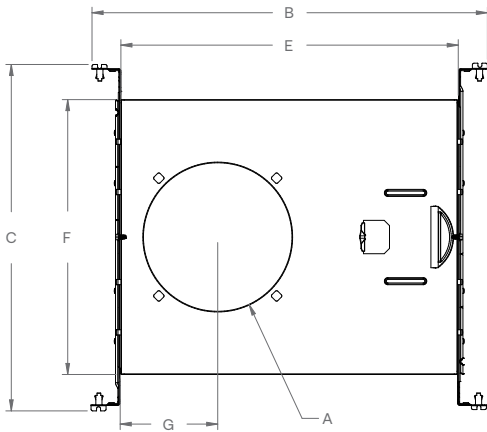
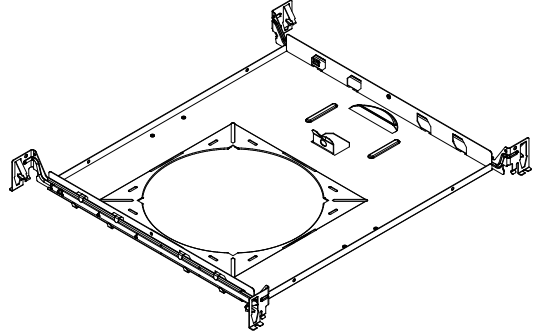
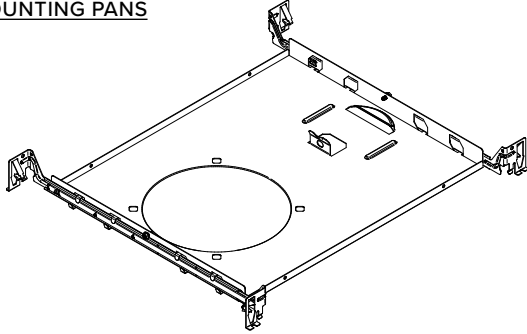
DIMENSIONS



Nominal Aperture	Ceiling Cutout Min.-Max.	Module Lumen Package	A Aperture Diameter	B Overall Trim Diameter	C Overall Module Heatsink	D Overall Height (Assembly)
4"	4.72"–5.46" (119.9–138.7mm)	SL-ML	4.15" (105.4mm)	6.00" (152.4mm)	4.35" (110.5mm)	5.35" (135.9mm)
6"	6.30"–7.10" (160.0–180.3mm)	SL-ML	5.65" (143.6mm)	7.36" (187.0mm)	4.35" (110.5mm)	5.54" (140.6mm)
		HL	5.65" (143.6mm)	7.36" (187.0mm)	5.55" (140.9mm)	5.54" (140.6mm)
8"	7.87"–8.74" (199.9–222.0mm)	SL-ML	7.60" (193.0mm)	9.25" (235.0mm)	4.35" (110.5mm)	6.05" (153.7mm)
		HL	7.60" (193.0mm)	9.25" (235.0mm)	5.55" (140.9mm)	6.05" (153.7mm)

DIMENSIONS (CONTINUED)

MOUNTING PANS



4" & 6" MODELS

8" MODEL

For 4" & 6" Models:

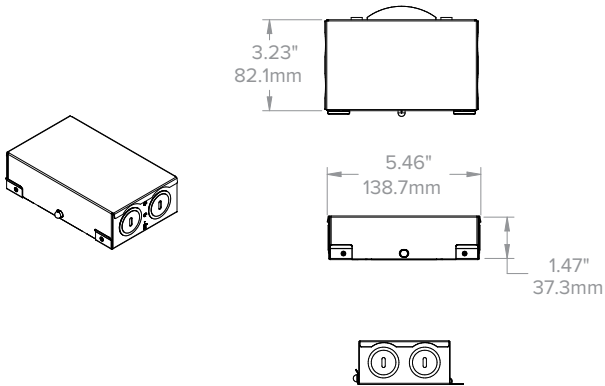
Catalog Number	"A" Aperture Opening	"B" Overall Length	"C" Overall Width	"D" Height	"E" Pan Length	"F" Pan Width	"G" Aperture Center
FRAME4R-HB	Ø 4.94" (125.5mm)	17.65" (448.3mm)	14.57" (370.1mm)	1.68" (42.7mm)	15.03" (381.8mm)	12.28" (311.9mm)	4.32" (109.7mm)
FRAME6R-HB	Ø 6.64" (168.7mm)						

For 8" Model:

Catalog Number	"A" Aperture Opening	"B" Overall Length	"C" Overall Width	"D" Height	"E" Pan Length	"F" Pan Width	"G" Aperture Center
FRAME8-HB	Ø 8.07" (205mm)	17.65" (448.3mm)	14.57" (370.1mm)	1.68" (42.7mm)	15.03" (381.8mm)	12.99" (329.9mm)	5.14" (130.6mm)

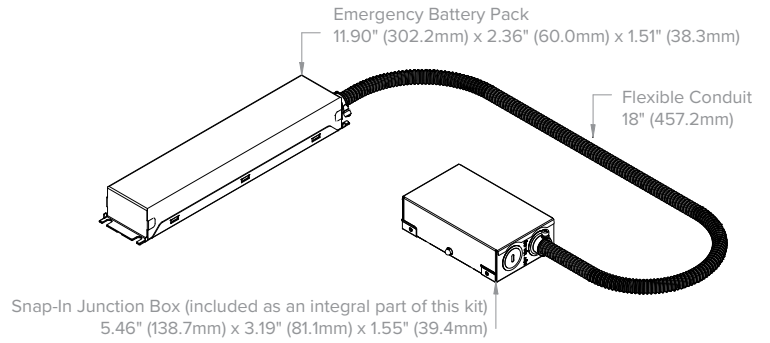
DIMENSIONS CONTINUED

SNAP-IN JUNCTION BOX ACCESSORY

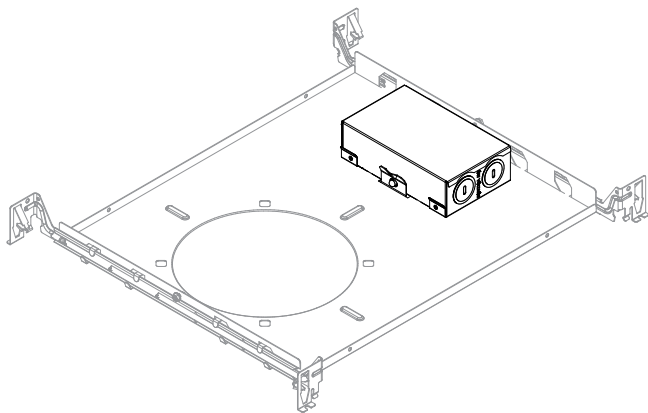


Snap-In Junction Box Accessory (J-BOX)
Optional if needed or required per local code

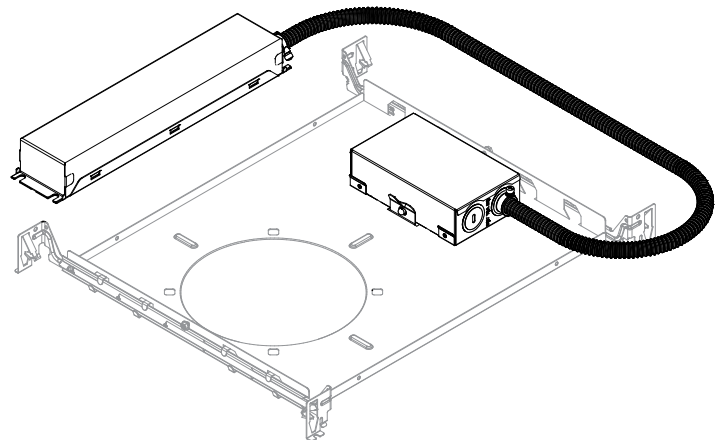
EMERGENCY BATTERY BACKUP KIT ACCESSORY



Emergency Battery Backup Accessory Kit (LDEMBBKIT)



Frame and Junction Box Example
 FRAME6R-HB and J-BOX
(ordered separately)



Emergency Battery Backup and Frame Example
 FRAME6R-HB and LDEMBBKIT
(ordered separately)

LBRP-RD

LITEBOX PRO ROUND DOWNLIGHT

PERFORMANCE DATA TABLE

Based on 3000K, 90 CRI, Diffuse reflector finish at "W" Wide (75° nominal) Beam Angle setting

Model	Beam Angle (Sc) Setting		Module	Lumen Setting	Lumen	Watt	Eff (Lm/W)
	"N"	"W"					
4" Round Downlight	58° (0.9)	71° (1.1)	SL	Low	792	9.3 W	85
				Med	1184	13.9 W	85
				High	1644	19.3 W	85
			ML	Low	1987	23.5 W	85
				Med	2621	31.0 W	85
				High	3060	36.2 W	85
6" Round Downlight	56° (0.8)	74° (1.0)	SL	Low	785	9.3 W	84
				Med	1174	13.9 W	84
				High	1630	19.3 W	84
			ML	Low	2014	23.5 W	86
				Med	2657	31.0 W	86
				High	3103	36.2 W	86
			HL	Low	3666	35.6 W	103
				Med	4603	44.7 W	103
				High	5860	56.9 W	103
8" Round Downlight	54° (0.8)	66° (0.9)	SL	Low	785	9.3 W	84
				Med	1174	13.9 W	84
				High	1630	19.3 W	84
			ML	Low	1937	23.5 W	82
				Med	2555	31.0 W	82
				High	2983	36.2 W	82
			HL	Low	3676	35.6 W	103
				Med	4616	44.7 W	103
				High	5876	56.9 W	103

LUMEN MULTIPLIER

Module	2700K	3000K	3500K	4000K	5000K
SL/ML	0.96	1.00	1.04	1.09	1.14
HL	0.94	1.00	1.06	1.04	1.07

Photometrics are published at nominal 3000K, 90 CRI. This table may be used to approximate the lumen values at different Kelvin temperature settings. Power consumption remains the same.

LBRP-RD

LITEBOX PRO ROUND DOWNLIGHT

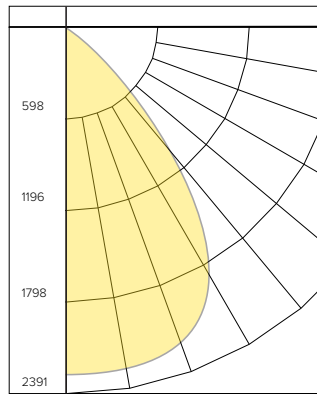
PHOTOMETRY

LBRP-M-LSMLCS9-WD / LBRP-4RD-T-D

LUMINAIRE DATA

Test No.	
Description	4" Round, Diffuse Reflector High Lumen, 3000K, 75° Beam "W"
Delivered Lumens	2813
Watts	35.9W
Efficacy	78 lm/W
Beam Angle	71°
Mounting	Recessed
Spacing Criterion	1.10
UGR	14.2

POLAR GRAPH



CANDELA DISTRIBUTION

Degree	Candela
0	2388
5	2370
15	2283
25	1944
35	1236
45	215
55	59
65	22
75	8
85	1

LUMINANCE DATA*

Vertical Angle	Average
45°	35027
55°	11935
65°	6052
75°	3483
85°	1909

*Candela/Square Meter

ZONAL LUMEN SUMMARY

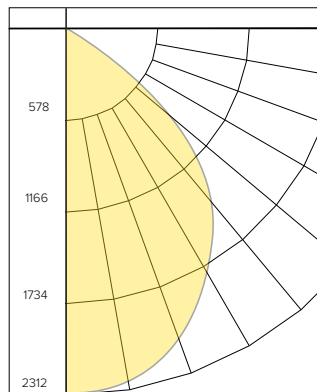
Zone	Lumens	% Luminaire
0-40	2523	89.7
0-60	2781	98.9
0-90	2813	100.0
0-180	2813	100.0

LBRP-M-LSMLCS9-WD / LBRP-6RD-T-D

LUMINAIRE DATA

Test No.	
Description	6" Round, Diffuse Reflector High Lumen, 3000K, 75° Beam "W"
Delivered Lumens	3008
Watts	35.9W
Efficacy	84 lm/W
Beam Angle	76°
Mounting	Recessed
Spacing Criterion	1.06
UGR	11.8

POLAR GRAPH



CANDELA DISTRIBUTION

Degree	Candela
0	2310
5	2271
15	2085
25	1766
35	1343
45	769
55	61
65	17
75	7
85	1

LUMINANCE DATA*

Vertical Angle	Average
45°	35027
55°	11935
65°	6052
75°	3483
85°	1909

*Candela/Square Meter

ZONAL LUMEN SUMMARY

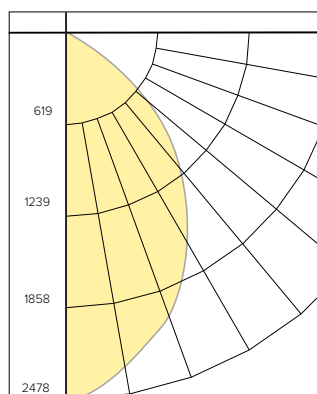
Zone	Lumens	% Luminaire
0-40	2402	79.9
0-60	2981	99.7
0-90	3007	100.0
0-180	3007	100.0

LBRP-M-LSMLCS9-WD / LBRP-8RD-T-D

LUMINAIRE DATA

Test No.	
Description	8" Round, Diffuse Reflector High Lumen, 3000K, 75° Beam "W"
Delivered Lumens	2945
Watts	35.6W
Efficacy	83 lm/W
Beam Angle	68°
Mounting	Recessed
Spacing Criterion	0.94
UGR	3.8

POLAR GRAPH



CANDELA DISTRIBUTION

Degree	Candela
0	2477
5	2400
15	2081
25	1669
35	1204
45	734
55	38
65	6
75	3
85	1
90	0

LUMINANCE DATA*

Vertical Angle	Average
45°	36603
55°	2345
65°	528
75°	368
85°	304

*Candela/Square Meter

ZONAL LUMEN SUMMARY

Zone	Lumens	% Luminaire
0-40	2307	78.3
0-60	2935	99.6
0-90	2945	100.0
0-180	2945	100.0