

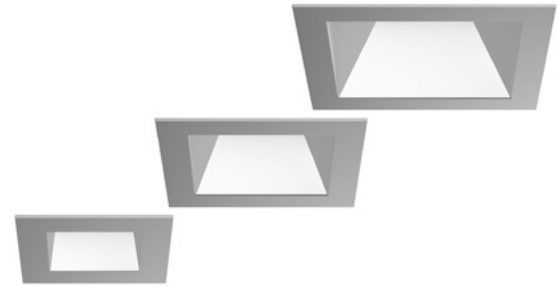
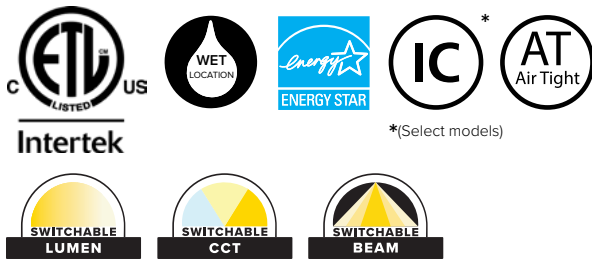
LBRP-SQD (120–347V)

PRO CANLESS DIRECT INSTALL DOWNLIGHT

LITEBOX[®]
 pro

FEATURES

- 4", 6" and 8" apertures, delivering 800 to 5000 lumens
- Aluminum anodized or white reflector with cast flange, 55 deg cutoff
- Switchable Lumen, CCT, and Beam Angle
- Integral wiring compartment (standard)
- Optional support pans for Joist or T-Grid ceilings
- Universal 120–347V with 0–10V to 5% dimming
- Long Life L70 at >50,000 hrs (TM-21)
- Five year warranty



SERVICE PROGRAMS



SPECIFICATIONS

CONSTRUCTION

- Canless direct install New Construction or Remodel, Non-IC. Select IC models available.
- Optional Wide Beam Accessory converts from standard optical assembly to a 55° through 75° dial-in beam angle, ideal for general illumination applications
- Integral wiring compartment (standard) can eliminate the need for an additional J-Box
- Retention tether provided to secure to building structure if needed
- Fixture modules can be used with interchangeable trims in 3 apertures

OPTICS

- High quality aluminum reflector with 55° cutoff provides excellent lumen delivery while reducing glare
- Optional White Cone and Flange or Diffuse Anodized Cone and White flange available
- Optical assembly standard with dial-in beam angle from 24° to 45° with indicators
- Optional Wide Beam Accessory kit ideal for general illumination applications with up to 1.06 Spacing Criteria
- Polycarbonate lensed optic, suitable for wet location, covered ceiling applications

ELECTRICAL

- LED array with 3 SDCM color consistency
- Long LED life: Maintains 70% of lumen output at >50,000 hours of operation (L70 at >50,000hr TM-21)

ELECTRICAL (CONTINUED)

- Switchable Lumen, 3 settings per module: SL (800/1200/1600 lm); ML (1600/1800/2100 lm); HL (3000/4000/5000 lm)
- High efficiency integral driver with universal 120–347V, 50/60Hz
- Flicker-free 0-10V dimming to 5%
- See Additional Information section for a list of recommended dimmers
- Meets Class A (<24dba) noise rating
- FCC CFR 47 Part 15 Class B
- ≥ 0.9 Power Factor, <20% THD

INSTALLATION

- Robust trim mounting springs hold fixture firmly against ceiling surface
- Accommodates ceiling thicknesses up to 2"
- Fixture installs below the ceiling without a housing
- Optional support pan accessories with or without bar hangers available
- Switchable CCT: Field select one of five CCTs at installation with an integral switch on back of fixture module. (SL and ML only)
- Switchable Lumen: Field select one of three lumen outputs at installation with an integral switch on back of fixture module.
- Optional Switch Lock Accessory kit available to field preset lumen output.
- Switchable Beam: Field adjust beam angle using optical dial and indicator on module

CERTIFICATIONS

- cETLus listed to UL1598
- Can be used in direct contact with insulation (IC Rated, SL Only)
- Certified Air Tight per ASTM E283
- Suitable for wet locations, covered ceilings
- ENERGY STAR[®] Certified

WARRANTY

- 5 year warranty

KEY DATA	
Lumen Range	832–4915
Wattage Range	9.6–54.9
Efficacy Range (LPW)	72–100
Reported Life (Hours)	L70 / >50,000
Input Current (mA)	125–219 (120V)

Based on Diffuse Anodized 3000K, 90 CRI

LBRP-SQD (120-347V)

PRO CANLESS DIRECT INSTALL DOWNLIGHT



ORDERING GUIDE

Example: LBRP-M-LSSLCS934 / LBRP-4SQD-T-D

CATALOG #

FIXTURE MODULE

LBRP-M	LS					34
Model/Type	Switchable Technology	Nominal Lumen Range	CCT/CRI		Voltage	
LBRP-M Fixture Module, Direct Install, with 0-10V Dimming to 5%	LS Switchable Lumen	SL 800/1200/1600 lumens	CS9²	Switchable CCT (2700/3000/3500/4000/5000K), 90 CRI	34	Universal 120-347V
		ML 1600/1800/2100 lumens				
		HL 3000/4000/5000 lumens ¹	27K9	2700K, 90 CRI		
			30K9	3000K, 90 CRI		
			35K9	3500K, 90 CRI		
	40K9	4000K, 90 CRI				
	50K9	5000K, 90 CRI				

TRIM (ORDER SEPARATELY)

LBRP	Aperture/Shape/Function	T	Reflector Finish/Color
Model		Trim	
LBRP LiteBox Pro Trim	4SQD 4" Square Downlight ¹	T Trim	D Diffuse Clear Anodized
	6SQD 6" Square Downlight		WC White Cone and Flange
	8SQD 8" Square Downlight		DWT Diffuse Clear Anodized with White Flange

Notes:

- 4" Trim for use only with SL or ML Module.
- CS9 not available with HL.

Accessories (Order separately)

- LFR-4SQD-H** Accessory, Pan w/Bar Hangers for T-Grid/Joist, 4" Square
- LFR-6SQD-H** Accessory, Pan w/Bar Hangers for T-Grid/Joist, 6" Square
- LBRP-WDLENS 8PK** Accessory, Wide Lens, 8 Pack
- LBRP-LLOCK 16PK** Accessory, Lumen Switch Lock, 16 Pack

LBRP-SQD (120-347V)

PRO CANLESS DIRECT INSTALL DOWNLIGHT

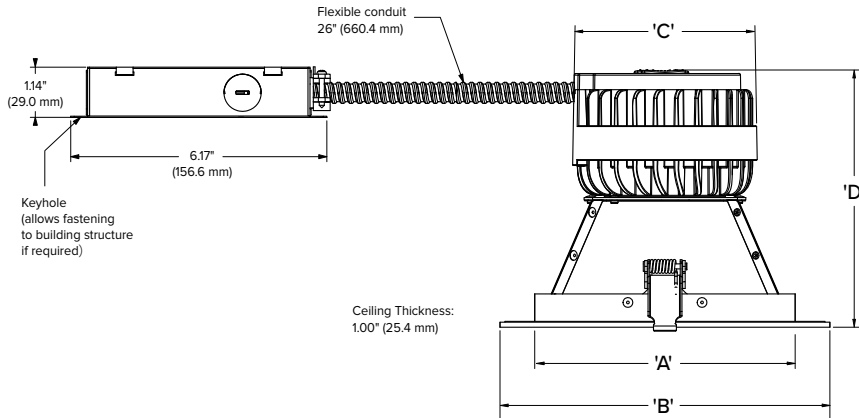
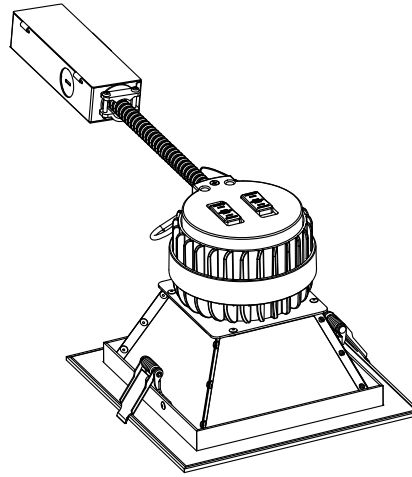
DATE: _____ LOCATION: _____

TYPE: _____ PROJECT: _____

CATALOG #: _____

DIMENSIONS

Fixture Model



Aperture	Ceiling Cutout Min-Max
4"	□ 4.5"-5.5" (□ 114.3-139.7 mm)
6"	□ 6.4"-7.0" (□ 162.6-177.8 mm)"
8"	□ 8.0"-9.0" (□ 203.2-228.6 mm)

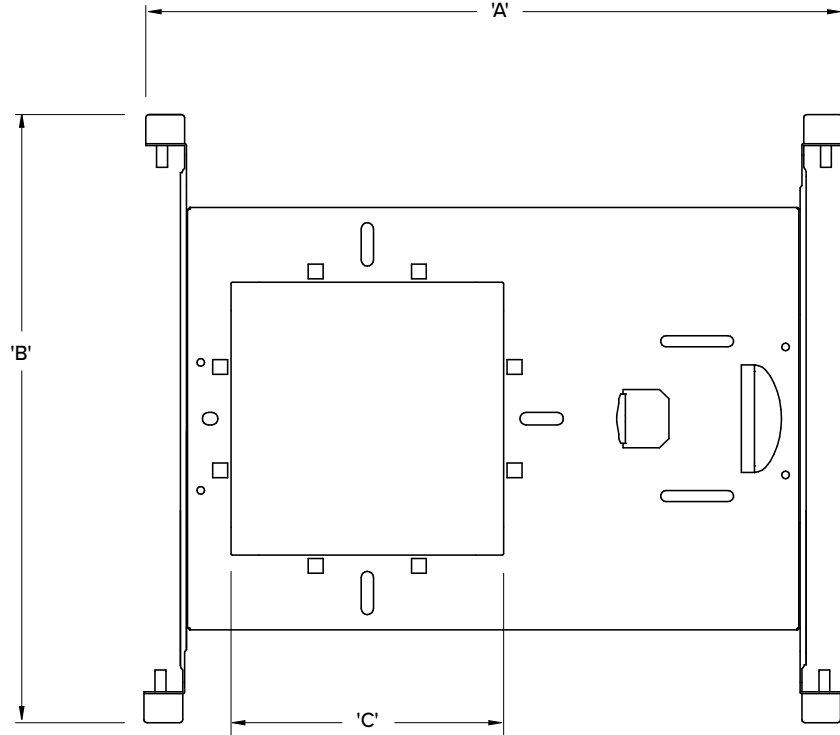
Nominal Aperture	Module Lumen Package	'A' Aperture Dimension	'B' Overall Trim Dimension	'C' Overall Module Heat Sink	'D' Overall Height (Assembled)
4"	SL-ML	□ 4.24" (107.7 mm)	□ 5.86" (148.9 mm)	4.35" (110.5 mm)	5.97" (151.7 mm)
6"	SL-ML	□ 6.09" (154.6 mm)	□ 7.71" (195.8 mm)	4.35" (110.5 mm)	6.01" (152.8 mm)
	HL	□ 6.09" (154.6 mm)	□ 7.71" (195.8 mm)	5.55" (140.9 mm)	6.01" (152.8 mm)
8"	SL-ML	□ 7.75" (196.8 mm)	□ 9.37" (238 mm)	4.35" (110.5 mm)	6.80" (172.7 mm)
	HL	□ 7.75" (196.8 mm)	□ 9.37" (238 mm)	5.55" (140.9 mm)	6.80" (172.7 mm)

LBRP-SQD (120-347V)

PRO CANLESS DIRECT INSTALL DOWNLIGHT

DIMENSIONS CONTINUED

Accessory Pans



Pan with Bar Hangers for T-Grid / Joist

Accessory	Description	'A'	'B' Min	'B' Max	'C'
LFR-4SQD-H	4" Square	17.70" (449.7 mm)	15.45" (392.4 mm)	25.00" (635.0 mm)	□ 4.93" (125.2 mm)
LFR-6SQD-H	6" Square	17.70" (449.7 mm)	15.45" (392.4 mm)	25.00" (635.0 mm)	□ 6.93" (176.0 mm)

LBRP-SQD (120-347V)

PRO CANLESS DIRECT INSTALL DOWNLIGHT

DATE: _____ LOCATION: _____

TYPE: _____ PROJECT: _____

CATALOG #: _____

PERFORMANCE DATA TABLE

Lumen Module	Switchable Lumen Setting	Nominal Lumens	4"			6"			8"		
			Delivered Lumens	Watts	LPW	Delivered Lumens	Watts	LPW	Delivered Lumens	Watts	LPW
SL	Low	800	832	9.6	87	880	9.6	92	849	9.6	88
	Med	1200	1174	14.1	83	1243	14.1	88	1198	14.1	85
	High	1600	1560	19.6	79	1649	19.6	84	1592	19.6	81
ML	Low	1600	1578	20.1	78	1668	20.1	83	1610	20.1	80
	Med	1800	1808	23.9	76	1912	23.9	80	1845	23.9	77
	High	2100	2134	29.7	72	2257	29.7	76	2178	29.7	73
HL	Low	3000	NA	NA	NA	3142	31.6	100	3033	31.6	96
	Med	4000	NA	NA	NA	3953	41.0	97	3815	41.0	93
	High	5000	NA	NA	NA	4915	54.9	90	4744	54.9	86

LBRP-SQD (120-347V)

PRO CANLESS DIRECT INSTALL DOWNLIGHT

PHOTOMETRY

LBRP-M-LSMLCS934 / LBRP-4SQD-T-D

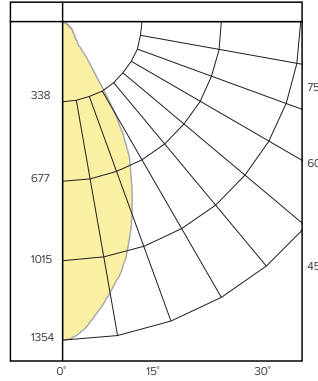
LUMINAIRE DATA

Test No.	CTLED23E19265
Description	4" LSSL, Med Lumen, @3000K, 45°
Delivered Lumens	1000
Watts	14.1
Efficacy	71
Mounting	Recessed
Spacing Criterion	0.8

ZONAL LUMEN SUMMARY

Zone	Lumens	% Luminaire
0-40	884	88
0-60	971	97
0-90	998	100
0-180	1000	100

POLAR GRAPH



CANDELA DISTRIBUTION

Degree	Candela
0	1352
5	1289
15	1035
25	701
35	295
45	65
55	36
65	17
75	7
85	2
90	0

LUMINANCE DATA*

Vertical Angle	Average
45°	11095
55°	7465
65°	4737
75°	3192
85°	2768

*Candela/Square Meter

LBRP-M-LSMLCS934 / LBRP-6SQD-T-D

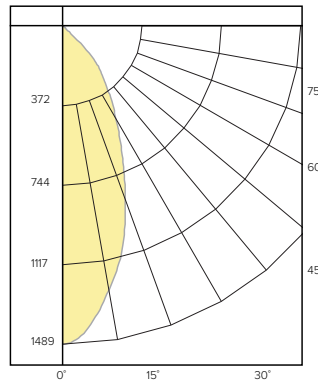
LUMINAIRE DATA

Test No.	CTLED23E19266
Description	6" LSSL, Med Lumen, @3000K, 45°
Delivered Lumens	1100
Watts	14.1
Efficacy	78
Mounting	Recessed
Spacing Criterion	0.72

ZONAL LUMEN SUMMARY

Zone	Lumens	% Luminaire
0-40	972	88
0-60	1092	99
0-90	1098	100
0-180	1100	100

POLAR GRAPH



CANDELA DISTRIBUTION

Degree	Candela
0	1489
5	1417
15	1082
25	670
35	380
45	125
55	11
65	4
75	2
85	1
90	0

LUMINANCE DATA*

Vertical Angle	Average
45°	9310
55°	1006
65°	497
75°	365
85°	361

*Candela/Square Meter

LBRP-M-LSMLCS934 / LBRP-8SQD-T-D

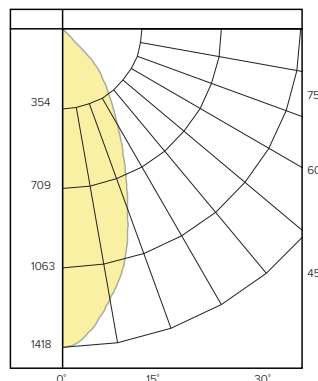
LUMINAIRE DATA

Test No.	CTLED23E19267
Description	8" LSSL, Med Lumen, @3000K, 45°
Delivered Lumens	1100
Watts	14.1
Efficacy	78
Mounting	Recessed
Spacing Criterion	0.72

ZONAL LUMEN SUMMARY

Zone	Lumens	% Luminaire
0-40	958	87
0-60	1094	99
0-90	1098	100
0-180	1100	100

POLAR GRAPH



CANDELA DISTRIBUTION

Degree	Candela
0	1489
5	1417
15	1082
25	670
35	380
45	125
55	11
65	4
75	2
85	1
90	0

LUMINANCE DATA*

Vertical Angle	Average
45°	8190
55°	627
65°	186
75°	142
85°	125

*Candela/Square Meter

LBRP-SQD (120-347V)

PRO CANLESS DIRECT INSTALL DOWNLIGHT

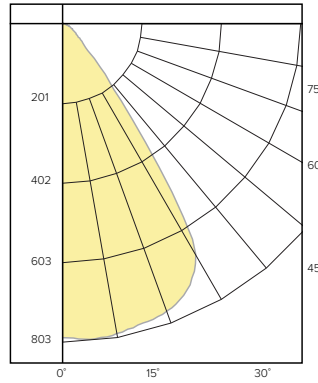
PHOTOMETRY

LBRP-M-LSMLCS934 / LBRP-4SQD-T-D / LBRP-WDLENS

LUMINAIRE DATA

Test No.	R21.11023-C01
Description	4" LSSL, Med Lumen, @3000K, 75° Beam (Accessory)
Delivered Lumens	969
Watts	13.9
Efficacy	70
Mounting	Recessed
Spacing Criterion	1.02

POLAR GRAPH



CANDELA DISTRIBUTION

Degree	Candela
0	795
5	779
15	742
25	670
35	227
45	104
55	63
65	26
75	9
85	2
90	0

LUMINANCE DATA*

Vertical Angle	Average
45°	12061
55°	7809
65°	5304
75°	3225
85°	1688

*Candela/Square Meter

ZONAL LUMEN SUMMARY

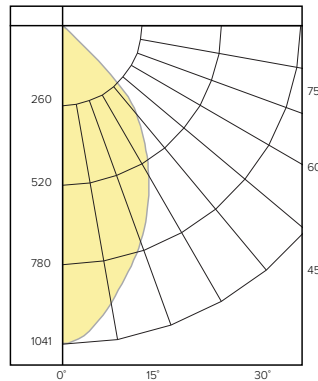
Zone	Lumens	% Luminaire
0-40	811	84
0-60	934	96
0-90	969	100
0-180	969	100

LBRP-M-LSMLCS934 / LBRP-6SQD-T-D / LBRP-WDLENS

LUMINAIRE DATA

Test No.	R21.11023-C02
Description	6" LSSL, Med Lumen, @3000K, 75° Beam (Accessory)
Delivered Lumens	1114
Watts	13.9
Efficacy	80
Mounting	Recessed
Spacing Criterion	0.92

POLAR GRAPH



CANDELA DISTRIBUTION

Degree	Candela
0	1039
5	998
15	847
25	686
35	478
45	69
55	12
65	6
75	2
85	1
90	0

LUMINANCE DATA*

Vertical Angle	Average
45°	18952
55°	1088
65°	669
75°	455
85°	354

*Candela/Square Meter

ZONAL LUMEN SUMMARY

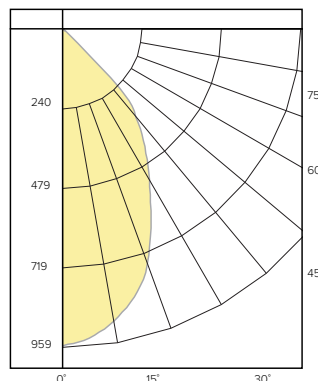
Zone	Lumens	% Luminaire
0-40	951	85
0-60	1104	99
0-90	1114	100
0-180	1114	100

LBRP-M-LSMLCS934 / LBRP-8SQD-T-D / LBRP-WDLENS

LUMINAIRE DATA

Test No.	R21.11023-C03
Description	8" LSSL, Med Lumen, @3000K, 75° Beam (Accessory)
Delivered Lumens	1104
Watts	13.9
Efficacy	79
Mounting	Recessed
Spacing Criterion	0.94

POLAR GRAPH



CANDELA DISTRIBUTION

Degree	Candela
0	954
5	934
15	835
25	633
35	433
45	206
55	7
65	4
75	2
85	0
90	0

LUMINANCE DATA*

Vertical Angle	Average
45°	8974
55°	392
65°	252
75°	174
85°	156

*Candela/Square Meter

ZONAL LUMEN SUMMARY

Zone	Lumens	% Luminaire
0-40	943	86
0-60	1104	99
0-90	1104	100
0-180	1104	100

LBRP-SQD (120-347V)

PRO CANLESS DIRECT INSTALL DOWNLIGHT

PHOTOMETRY

LUMEN MULTIPLIER

Option	27K, 90 CRI	30K, 90 CRI	35K, 90 CRI	40K, 90 CRI	50K, 90 CRI
Multiplier	0.99	1.00	1.04	1.05	1.09

Photometrics above are published at nominal 3000K, 90 CRI. This table may be used to approximate the lumen values at different Kelvin temperature settings. Power consumption remains the same.

ADDITIONAL INFORMATION

Dimming Compatibility

For more details and recommended dimmer list, see Dimming Compatibility Information on currentlighting.com/prescolite.