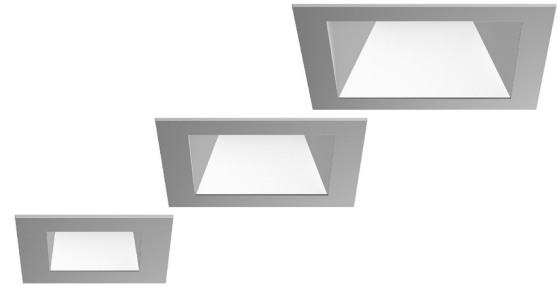
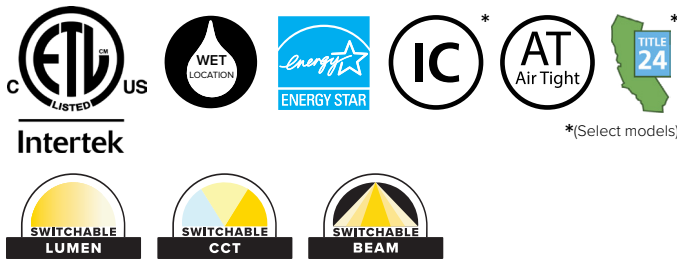


**LITEBOX®**  
 pro

**FEATURES**

- 4", 6" and 8" apertures, delivering 800 to 5000 lumens
- Aluminum anodized or white reflector with cast flange, 55 deg cutoff
- Switchable Lumen, CCT, and Beam Angle
- Integral wiring compartment (standard)
- Optional support pans for Joist or T-Grid ceilings
- Universal 120–277V with 0–10V Dim to Off
- Long Life L70 at >50,000 hrs (TM-21)
- Five year warranty



**SERVICE PROGRAMS**



**SPECIFICATIONS**

**CONSTRUCTION**

- Canless direct install New Construction or Remodel, Non-IC. Select IC models available.
- Optional Wide Beam Accessory converts from standard optical assembly to a 55° through 75° dial-in beam angle, ideal for general illumination applications
- Integral wiring compartment (standard) can eliminate the need for an additional J-Box
- Retention tether provided to secure to building structure if needed
- Fixture modules can be used with interchangeable trims in 3 apertures

**OPTICS**

- High quality aluminum reflector with 55° cutoff provides excellent lumen delivery while reducing glare
- Optional White Cone and Flange or Diffuse Anodized Cone and White flange available
- Optical assembly standard with dial-in beam angle from 24° to 45° with indicators
- Optional Wide Beam Accessory kit ideal for general illumination applications with up to 1.06 Spacing Criteria
- Polycarbonate lensed optic, suitable for wet location, covered ceiling applications

**ELECTRICAL**

- LED array with 3 SDCM color consistency
- Long LED life: Maintains 70% of lumen output at >50,000 hours of operation (L70 at >50,000hr TM-21)

**ELECTRICAL (CONTINUED)**

- Switchable Lumen, 3 settings per module: SL (800/1200/1600 lm); ML (1600/1800/2100 lm); HL (3000/4000/5000 lm)
- High efficiency integral driver with universal 120-277V, 50/60Hz
- Flicker-free 0-10V Dim to Off
- See Additional Information section for a list of recommended dimmers
- Meets Class A (<24dba) noise rating
- FCC CFR 47 Part 15 Class B
- ≥ 0.9 Power Factor, <20% THD
- Optional 7W 90-minute Emergency Battery Backup with remote test switch

**INSTALLATION**

- Robust trim mounting springs hold fixture firmly against ceiling surface
- Accommodates ceiling thicknesses up to 2"
- Fixture installs below the ceiling without a housing
- Optional support pan accessories with or without bar hangers available
- Switchable CCT: Field select one of five CCTs at installation with an integral switch on back of fixture module. (SL and ML only)
- Switchable Lumen: Field select one of three lumen outputs at installation with an integral switch on back of fixture module.

**INSTALLATION (CONTINUED)**

- Optional Switch Lock Accessory kit available to field preset lumen output.
- Switchable Beam: Field adjust beam angle using optical dial and indicator on module

**CERTIFICATIONS**

- cETLus listed to UL1598
- Can be used in direct contact with insulation (IC Rated, SL Only)
- Certified Air Tight per ASTM E283
- Suitable for wet locations, covered ceilings
- EMR option: Meets UL924 standard
- ENERGY STAR® Certified
- SL modules meet CA Title 24 High Efficacy (JA8-2019) requirements

**WARRANTY**

- 5 year warranty

KEY DATA	
Lumen Range	832–4915
Wattage Range	9.6–54.9
Efficacy Range (LPW)	72–100
Reported Life (Hours)	L70 / >50,000
Input Current (mA)	125–219 (120V)

Based on Diffuse Anodized 3000K, 90 CRI



**ORDERING GUIDE**

Example: LBRP-M-LSSLCS9 / LBRP-4SQD-T-D

CATALOG #

**FIXTURE MODULE**

LBRP-M	LS					Option
Model/Type	Switchable Technology	Nominal Lumen Range	CCT/CRI			
<b>LBRP-M</b> Fixture Module, Direct Install, 120–277V with 0–10V Dim to Off	LS Switchable Lumen	SL 800/1200/1600 lumens	CS9 <sup>2</sup>	Switchable CCT (2700/3000/3500/4000/5000K), 90 CRI		<i>Standard without EMR capability</i> <b>EMR</b> Emergency Battery Backup Ready
		ML 1600/1800/2100 lumens		27K9 2700K, 90 CRI		
	HL 3000/4000/5000 lumens <sup>1</sup>	30K9 3000K, 90 CRI				
		35K9 3500K, 90 CRI				
		40K9 4000K, 90 CRI				
		50K9 5000K, 90 CRI				

**TRIM (ORDER SEPARATELY)**

LBRP		T	
Model	Aperture/Shape/Function	Trim	Reflector Finish/Color
LBRP LiteBox Pro Trim	<b>4SQD</b> 4" Square Downlight <sup>1</sup> <b>6SQD</b> 6" Square Downlight <b>8SQD</b> 8" Square Downlight	T Trim	<b>D</b> Diffuse Clear Anodized <b>WC</b> White Cone and Flange <b>DWT</b> Diffuse Clear Anodized with White Flange

Notes:

- 4" Trim for use only with SL or ML Module.
- CS9 not available with HL.

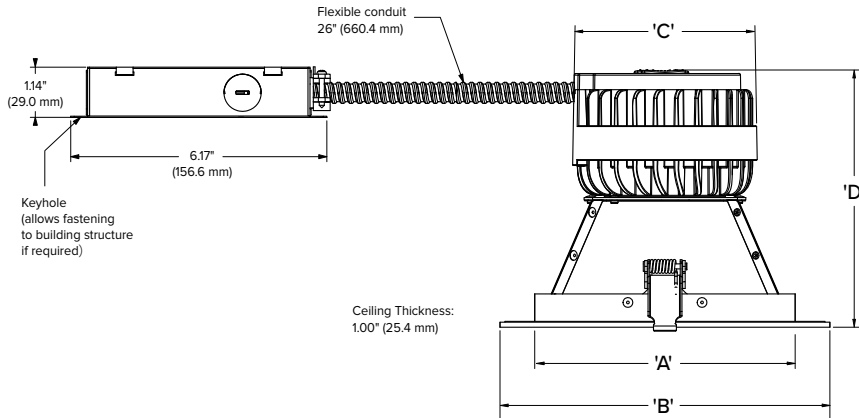
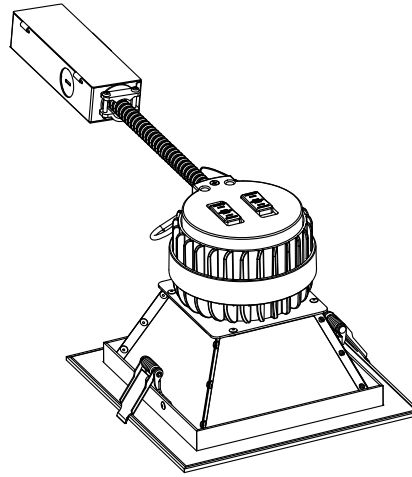
Accessories (Order separately)

- LFR-4SQD-H** Accessory, Pan w/Bar Hangers for T-Grid/Joist, 4" Square
- LFR-6SQD-H** Accessory, Pan w/Bar Hangers for T-Grid/Joist, 6" Square
- LB-4S-F-TG-EMR\*** Accessory, 7W Emergency Battery Back-Up Pan w/Bar Hangers for T-Grid/Joist, 4" Square, Remote Test Switch
- LB-6S-F-TG-EMR\*** Accessory, 7W Emergency Battery Back-Up Pan w/Bar Hangers for T-Grid/Joist, 6" Square, Remote Test Switch
- LB-8S-F-TG-EMR\*** Accessory, 7W Emergency Battery Back-Up Pan w/Bar Hangers for T-Grid/Joist, 8" Square, Remote Test Switch
- LB-EMR-KIT\*** Accessory, 7W Emergency Battery Back-Up Retrofit Kit, Remote Test Switch
- LBRP-WDLENS 8PK** Accessory, Wide Lens, 8 Pack
- LBRP-LLOCK 16PK** Accessory, Lumen Switch Lock, 16 Pack

\* For use with fixture modules with "EMR" option.

**DIMENSIONS**

Fixture Model

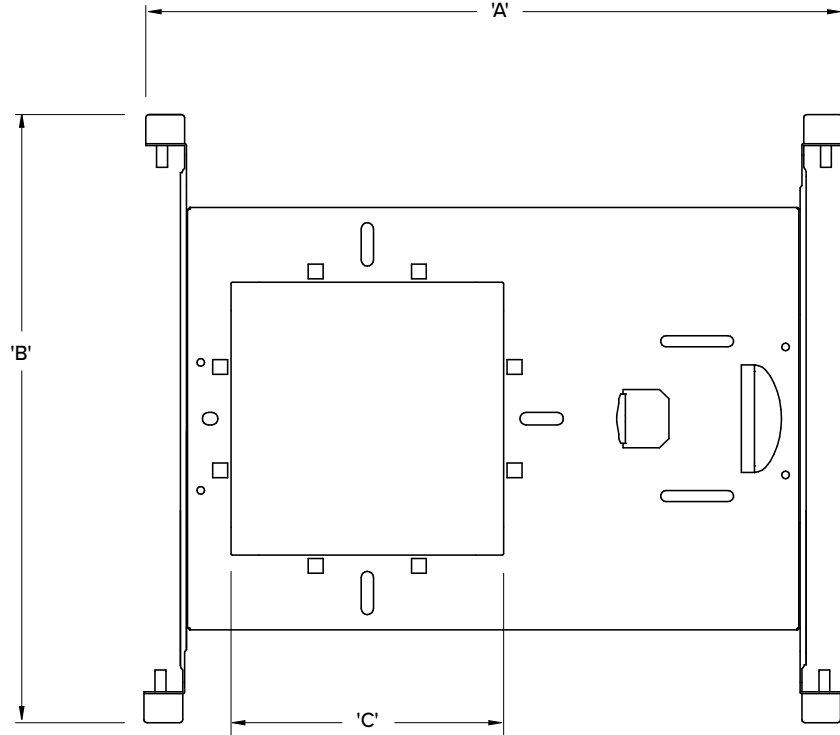


Aperture	Ceiling Cutout Min-Max
4"	□ 4.5"-5.5" (□ 114.3-139.7 mm)
6"	□ 6.4"-7.0" (□ 162.6-177.8 mm)"
8"	□ 8.0"-9.0" (□ 203.2-228.6 mm)

Nominal Aperture	Module Lumen Package	'A' Aperture Dimension	'B' Overall Trim Dimension	'C' Overall Module Heat Sink	'D' Overall Height (Assembled)
4"	SL-ML	□ 4.24" (107.7 mm)	□ 5.86" (148.9 mm)	4.35" (110.5 mm)	5.97" (151.7 mm)
6"	SL-ML	□ 6.09" (154.6 mm)	□ 7.71" (195.8 mm)	4.35" (110.5 mm)	6.01" (152.8 mm)
	HL	□ 6.09" (154.6 mm)	□ 7.71" (195.8 mm)	5.55" (140.9 mm)	6.01" (152.8 mm)
8"	SL-ML	□ 7.75" (196.8 mm)	□ 9.37" (238 mm)	4.35" (110.5 mm)	6.80" (172.7 mm)
	HL	□ 7.75" (196.8 mm)	□ 9.37" (238 mm)	5.55" (140.9 mm)	6.80" (172.7 mm)

**DIMENSIONS CONTINUED**

Accessory Pans

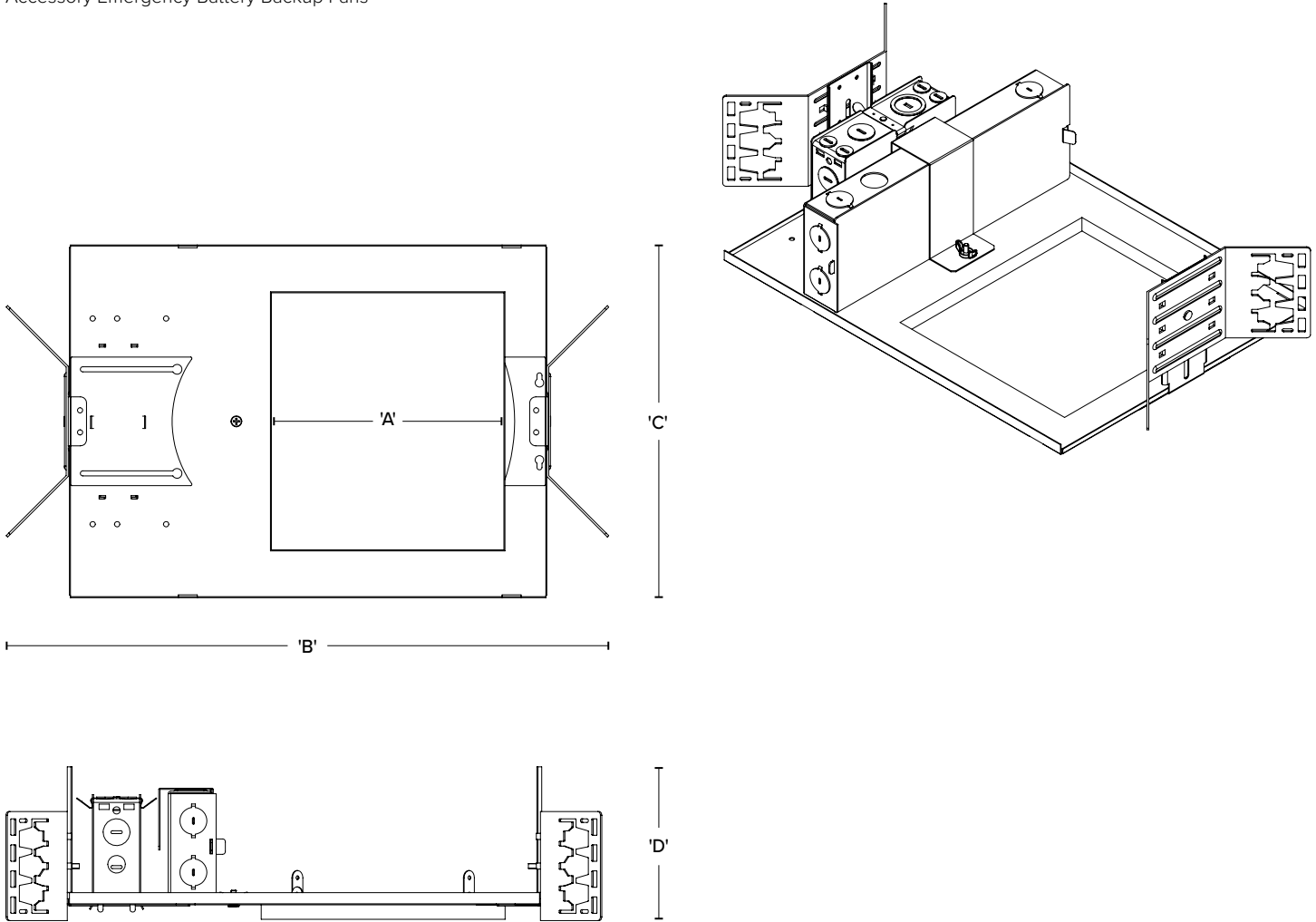


Pan with Bar Hangers for T-Grid / Joist

Accessory	Description	'A'	'B' Min	'B' Max	'C'
LFR-4SQD-H	4" Square	17.70" (449.7 mm)	15.45" (392.4 mm)	25.00" (635.0 mm)	□ 4.93" (125.2 mm)
LFR-6SQD-H	6" Square	17.70" (449.7 mm)	15.45" (392.4 mm)	25.00" (635.0 mm)	□ 6.93" (176.0 mm)

**DIMENSIONS CONTINUED**

Accessory Emergency Battery Backup Pans



Accessory	Description	'A'	'B'	'C' Min	'C' Max	'D' Min	'D' Max
LB-4S-F-TG-EMR	4" Square	□ 4.8" (121.9 mm)	14.17" (359.9 mm)	14.86" (377.5 mm)	24" (609.6 mm)	4.57" (116.2 mm)	5.28" (134.1 mm)
LB-6S-F-TG-EMR	6" Square	□ 6.27" (159.3 mm)	14.17" (359.9 mm)	19.25" (489 mm)	24" (609.6 mm)	4.57" (116.2 mm)	5.28" (134.1 mm)
LB-8S-F-TG-EMR	8" Square	□ 8.2" (208.28 mm)	14.17" (359.9 mm)	19.25" (489 mm)	24" (609.6 mm)	4.57" (116.2 mm)	5.28" (134.1 mm)

**PERFORMANCE DATA TABLE**

Lumen Module	Switchable Lumen Setting	Nominal Lumens	4"			6"			8"		
			Delivered Lumens	Watts	LPW	Delivered Lumens	Watts	LPW	Delivered Lumens	Watts	LPW
SL	Low	800	832	9.6	87	880	9.6	92	849	9.6	88
	Med	1200	1174	14.1	83	1243	14.1	88	1198	14.1	85
	High	1600	1560	19.6	79	1649	19.6	84	1592	19.6	81
ML	Low	1600	1578	20.1	78	1668	20.1	83	1610	20.1	80
	Med	1800	1808	23.9	76	1912	23.9	80	1845	23.9	77
	High	2100	2134	29.7	72	2257	29.7	76	2178	29.7	73
HL	Low	3000	NA	NA	NA	3142	31.6	100	3033	31.6	96
	Med	4000	NA	NA	NA	3953	41.0	97	3815	41.0	93
	High	5000	NA	NA	NA	4915	54.9	90	4744	54.9	86

# LBRP-SQD

PRO CANLESS DIRECT INSTALL DOWNLIGHT

## PHOTOMETRY

### LBRP-M-LSMLCS9 / LBRP-4SQD-T-D

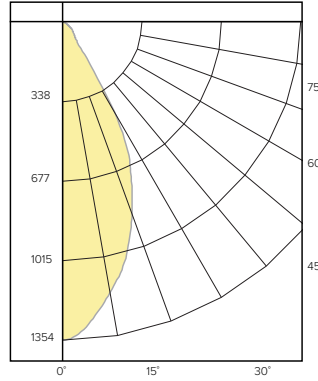
#### LUMINAIRE DATA

Test No.	CTLED23E19265
Description	4" LSSL, Med Lumen, @3000K, 45°
Delivered Lumens	1000
Watts	14.1
Efficacy	71
Mounting	Recessed
Spacing Criterion	0.8

#### ZONAL LUMEN SUMMARY

Zone	Lumens	% Luminaire
0-40	884	88
0-60	971	97
0-90	998	100
0-180	1000	100

#### POLAR GRAPH



#### CANDELA DISTRIBUTION

Degree	Candela
0	1352
5	1289
15	1035
25	701
35	295
45	65
55	36
65	17
75	7
85	2
90	0

#### LUMINANCE DATA\*

Vertical Angle	Average
45°	11095
55°	7465
65°	4737
75°	3192
85°	2768

\*Candela/Square Meter

### LBRP-M-LSMLCS9 / LBRP-6SQD-T-D

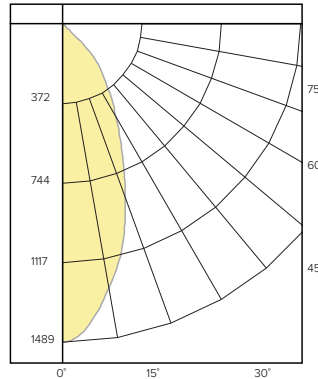
#### LUMINAIRE DATA

Test No.	CTLED23E19266
Description	6" LSSL, Med Lumen, @3000K, 45°
Delivered Lumens	1100
Watts	14.1
Efficacy	78
Mounting	Recessed
Spacing Criterion	0.72

#### ZONAL LUMEN SUMMARY

Zone	Lumens	% Luminaire
0-40	972	88
0-60	1092	99
0-90	1098	100
0-180	1100	100

#### POLAR GRAPH



#### CANDELA DISTRIBUTION

Degree	Candela
0	1489
5	1417
15	1082
25	670
35	380
45	125
55	11
65	4
75	2
85	1
90	0

#### LUMINANCE DATA\*

Vertical Angle	Average
45°	9310
55°	1006
65°	497
75°	365
85°	361

\*Candela/Square Meter

### LBRP-M-LSMLCS9 / LBRP-8SQD-T-D

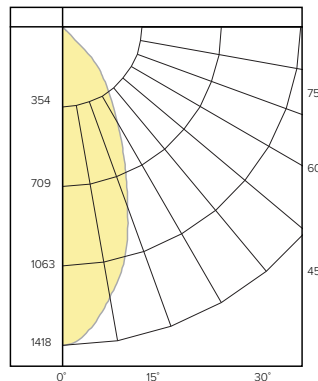
#### LUMINAIRE DATA

Test No.	CTLED23E19267
Description	8" LSSL, Med Lumen, @3000K, 45°
Delivered Lumens	1100
Watts	14.1
Efficacy	78
Mounting	Recessed
Spacing Criterion	0.72

#### ZONAL LUMEN SUMMARY

Zone	Lumens	% Luminaire
0-40	958	87
0-60	1094	99
0-90	1098	100
0-180	1100	100

#### POLAR GRAPH



#### CANDELA DISTRIBUTION

Degree	Candela
0	1489
5	1417
15	1082
25	670
35	380
45	125
55	11
65	4
75	2
85	1
90	0

#### LUMINANCE DATA\*

Vertical Angle	Average
45°	8190
55°	627
65°	186
75°	142
85°	125

\*Candela/Square Meter

# LBRP-SQD

PRO CANLESS DIRECT INSTALL DOWNLIGHT

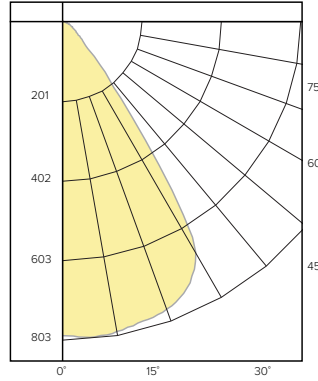
## PHOTOMETRY

### LBRP-M-LSMLCS9 / LBRP-4SQD-T-D / LBRP-WDLENS

#### LUMINAIRE DATA

Test No.	R21.11023-C01
Description	4" LSSL, Med Lumen, @3000K, 75° Beam (Accessory)
Delivered Lumens	969
Watts	13.9
Efficacy	70
Mounting	Recessed
Spacing Criterion	1.02

#### POLAR GRAPH



#### CANDELA DISTRIBUTION

Degree	Candela
0	795
5	779
15	742
25	670
35	227
45	104
55	63
65	26
75	9
85	2
90	0

#### LUMINANCE DATA\*

Vertical Angle	Average
45°	12061
55°	7809
65°	5304
75°	3225
85°	1688

\*Candela/Square Meter

#### ZONAL LUMEN SUMMARY

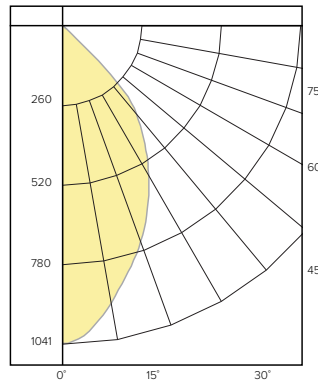
Zone	Lumens	% Luminaire
0-40	811	84
0-60	934	96
0-90	969	100
0-180	969	100

### LBRP-M-LSMLCS9 / LBRP-6SQD-T-D / LBRP-WDLENS

#### LUMINAIRE DATA

Test No.	R21.11023-C02
Description	6" LSSL, Med Lumen, @3000K, 75° Beam (Accessory)
Delivered Lumens	1114
Watts	13.9
Efficacy	80
Mounting	Recessed
Spacing Criterion	0.92

#### POLAR GRAPH



#### CANDELA DISTRIBUTION

Degree	Candela
0	1039
5	998
15	847
25	686
35	478
45	69
55	12
65	6
75	2
85	1
90	0

#### LUMINANCE DATA\*

Vertical Angle	Average
45°	18952
55°	1088
65°	669
75°	455
85°	354

\*Candela/Square Meter

#### ZONAL LUMEN SUMMARY

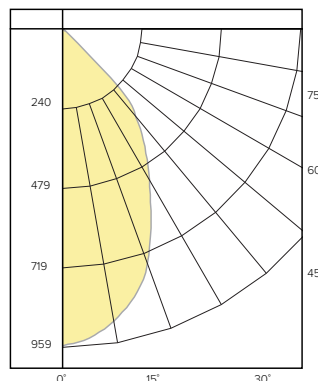
Zone	Lumens	% Luminaire
0-40	951	85
0-60	1104	99
0-90	1114	100
0-180	1114	100

### LBRP-M-LSMLCS9 / LBRP-8SQD-T-D / LBRP-WDLENS

#### LUMINAIRE DATA

Test No.	R21.11023-C03
Description	8" LSSL, Med Lumen, @3000K, 75° Beam (Accessory)
Delivered Lumens	1104
Watts	13.9
Efficacy	79
Mounting	Recessed
Spacing Criterion	0.94

#### POLAR GRAPH



#### CANDELA DISTRIBUTION

Degree	Candela
0	954
5	934
15	835
25	633
35	433
45	206
55	7
65	4
75	2
85	0
90	0

#### LUMINANCE DATA\*

Vertical Angle	Average
45°	8974
55°	392
65°	252
75°	174
85°	156

\*Candela/Square Meter

#### ZONAL LUMEN SUMMARY

Zone	Lumens	% Luminaire
0-40	943	86
0-60	1104	99
0-90	1104	100
0-180	1104	100



## PHOTOMETRY

### LUMEN MULTIPLIER

Option	27K, 90 CRI	30K, 90 CRI	35K, 90 CRI	40K, 90 CRI	50K, 90 CRI
Multiplier	0.99	1.00	1.04	1.05	1.09

Photometrics above are published at nominal 3000K, 90 CRI. This table may be used to approximate the lumen values at different Kelvin temperature settings. Power consumption remains the same.

## ADDITIONAL INFORMATION

### Dimming Compatibility

For more details and recommended dimmer list, see Dimming Compatibility Information on [currentlighting.com/prescolite](http://currentlighting.com/prescolite).