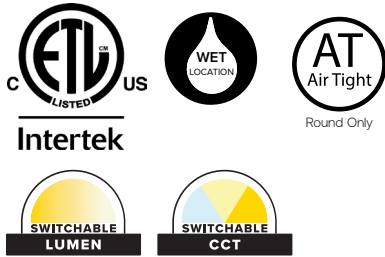


**LITEBOX<sup>®</sup>**  
 pro



**FEATURES**

- 4", 6" and 8" apertures
- Aluminum anodized or white trim
- Switchable lumen and CCT for job flexibility
- New construction housing accessories available
- Universal voltage with 0-10V Dim to Off



**SPECIFICATIONS**

**CONSTRUCTION**

- Canless New Construction or Remodel, Non-IC.
- Integral wiring compartment (standard) can eliminate the need for an additional J-Box
- Retention tether provided to secure to building structure if needed
- Fixture modules can be used with interchangeable trims in 3 apertures

**OPTICS**

- High quality aluminum reflector provides balance of optical performance and visual comfort, 55° cutoff for 4" and 60° cut off for 6" and 8".
- Diffuse anodized cone with white or matching flange or white cone and flange trims available
- Optimized for general illumination applications with up to 1.0 spacing criterion typical
- Polycarbonate lensed optic, suitable for wet location, covered ceiling applications

**ELECTRICAL**

- 90 CRI LED array with 3 SDCM color consistency
- Maintains 70% of lumen output at >54,000 hours of operation (L70 at >54,000hr TM-21)
- Switchable Lumen Settings @5000K:  
 SL: (850/1150/1600 lm);  
 ML: (1450/1900/2500 lm)
- Operating Temperature Range:  
 -20° C to 25° C (standard models)  
 0° C to 25° C (-EMR models with LDEMBBKIT)
- Integral universal voltage (120-277V) driver, 50/60Hz 0-10V Dim to 1%.
- Meets Class A (<24dba) noise rating

**ELECTRICAL (CONTINUED)**

- FCC CFR 47 Part 15 Class A
- ≥ 0.9 Power Factor, <20% THD
- Optional 90-minute Emergency Battery Backup kit accessory with remote test switch
- 120-277V Module:
  - Supports both Standard (non EM) and Emergency (EM) installations
  - LDEMBBKIT field installable emergency kit is required for emergency functionality
  - The LDEMBBKIT is not required for standard (non EM) installations
  - For detailed wiring instructions, refer to installation guide
- For more details and recommended dimmer list, see Dimming Compatibility Information on [currentlighting.com/prescolite](http://currentlighting.com/prescolite)

**INSTALLATION**

- Robust trim mounting springs hold fixture firmly against ceiling surface
- Accommodates ceiling thicknesses up to 1.5" for Round, and 1.0" for Square
- Fixture installs below the ceiling without a housing
- Optional new construction mounting pans with bar hangers available

**SERVICE PROGRAMS**

**tradeSELECT<sup>®</sup>**

**INSTALLATION (CONTINUED)**

- Switchable CCT: Field select one of five CCTs at installation with an integral switch on back of fixture module.
  - Switchable Lumen: Field select one lumen output at installation with an integral switch on back of fixture module
  - Optional Switch Lock Accessory kit available to field preset lumen output.
- CERTIFICATIONS**
- cETLus listed to UL1598
  - Certified Air Tight per ASTM E283, Round Only
  - Suitable for wet locations, covered ceilings
  - Emergency Battery Pack: Certified under UL 924 standard for emergency lighting and power equipment
  - Emergency battery pack is California Energy Commission (CEC) Title 20 Compliant

**WARRANTY**

- 5 year warranty

KEY DATA	
<b>Lumen Range</b>	861-2872
<b>Wattage Range</b>	8.6-28.6
<b>Efficacy Range (LPW)</b>	86-114
<b>Lumen Maintenance</b>	L70 >54,000
<b>Input Current (mA)</b>	72-238

Based on Diffused Anodized 3000K, 90 CRI @ 120V

**ORDERING GUIDE**

tradeSELECT®

Example: LBRP3-M-LSDSLCS9 / LBRP-4RD-T-D

CATALOG #

**FIXTURE MODULE**

LBRP3-M-LS		CS9	
Model/Type	Lumen Output	CCT/CRI	Voltage
LBRP3-M-LS	DSL 850/ <b>1150</b> /1600 lumens DML 1450/ <b>1900</b> /2500 lumens	<b>CS9</b> Switchable CCT (2700/3000/ <b>3500</b> /4000/5000K), 90 CRI	Standard with 120-277V, 0-10V Dim to 1%

Switchable Lumen and CCT settings in **BOLD** indicate the default setting.

**TRIM (ORDER SEPARATELY)**

LBRP		T	
Model	Aperture/Shape/Function	Trim	Reflector Finish/Color
LBRP LiteBox Pro Trim	<b>4RD</b> 4" Round Downlight <b>6RD</b> 6" Round Downlight <b>8RD</b> 8" Round Downlight <b>4SQD</b> 4" Square Downlight <b>6SQD</b> 6" Square Downlight <b>8SQD</b> 8" Square Downlight	<b>T</b> Trim	<b>D</b> Diffuse Clear Anodized <b>WC</b> White Cone and Flange <b>DWT</b> Diffuse Clear Anodized with White Flange

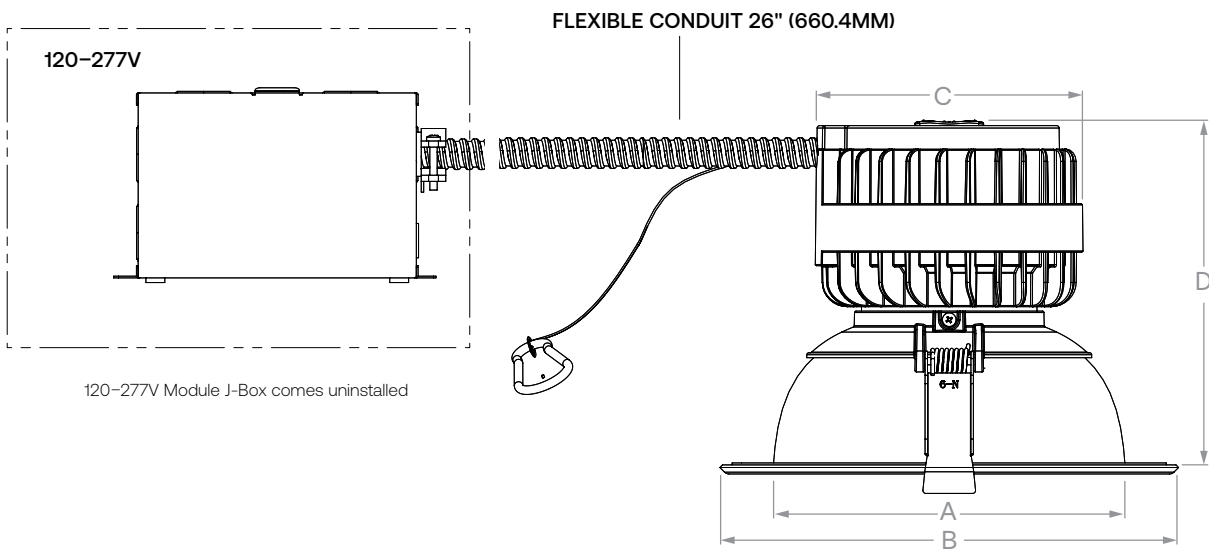
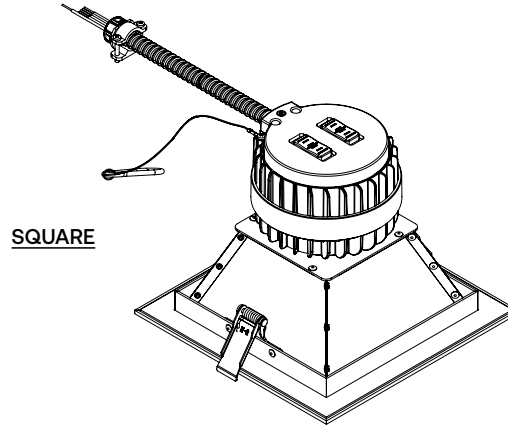
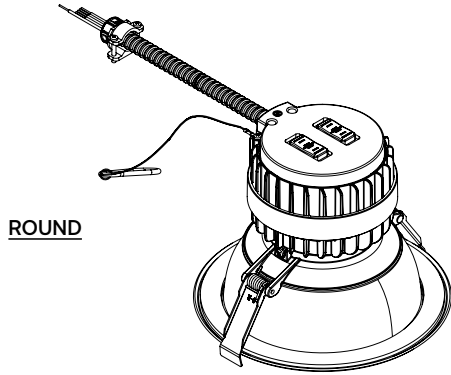
Accessories (Order separately)

- FRAME4R-HB** 4" Round new construction housing
- FRAME6R-HB** 6" Round new construction housing
- FRAME4S-HB** 4" Square new construction housing
- FRAME6S-HB** 6" Square new construction housing
- FRAME8-HB** 8" Round & square combination new construction housing <sup>1</sup>
- J-BOX** New construction housing compatible junction box <sup>2</sup>
- LDEMBKIT** Emergency Battery (CEC T20 compliant) Kit, remote test switch
- LBRP-LLOCK 16PK** Accessory, Lumen Switch Lock, 16 Pack

Notes:

- 1 Housing comes ready for round trims as shown
- 2 Junction box is not required but available as needed to meet local electrical codes.

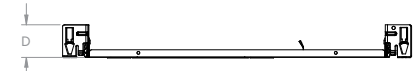
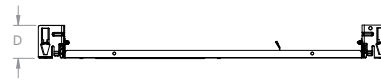
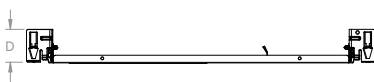
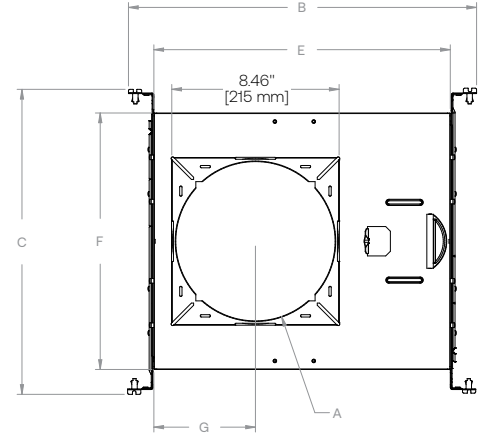
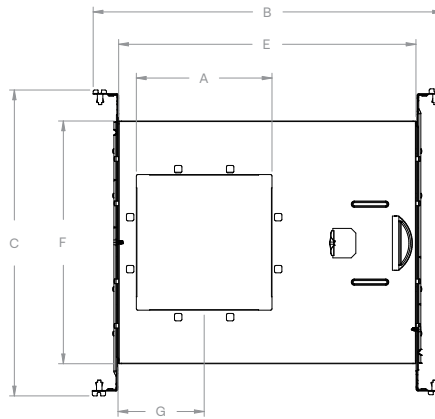
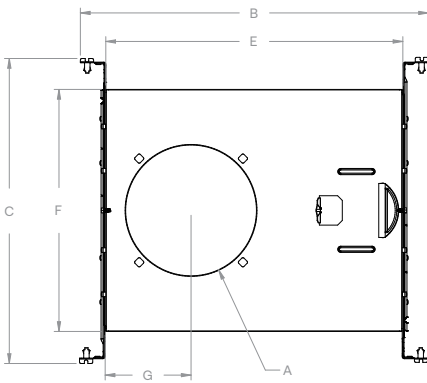
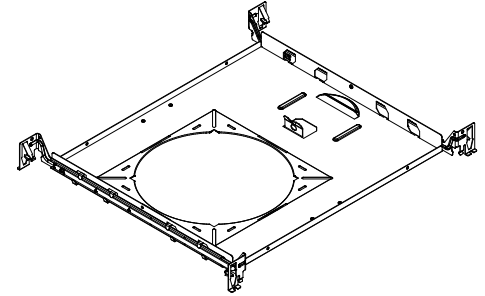
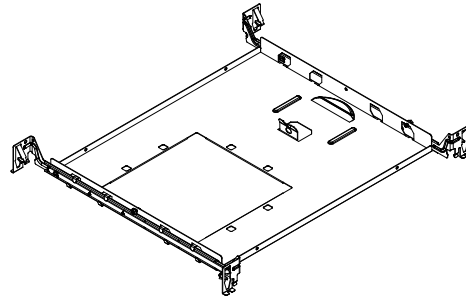
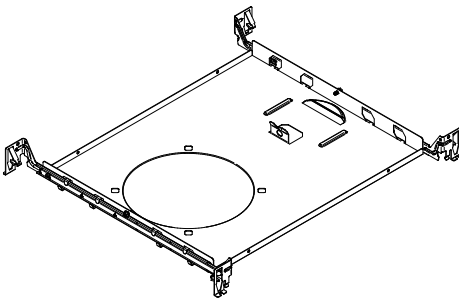
**DIMENSIONS**



Nominal Aperture	Ceiling Cutout Min.-Max.	Module Lumen Package	"A" Aperture Diameter/ Width	"B" Overall Trim Diameter/Width	"C" Overall Module Heatsink	"D" Overall Height (Assembly)
<b>Round</b>						
4"	Ø 4.72"-5.46" (119.9-138.7mm)	SL-ML	4.15" (105.4mm)	6.00" (152.4mm)	4.35" (110.5mm)	5.35" (135.9mm)
6"	Ø 6.30"-7.10" (160.0-180.3mm)	SL-ML	5.65" (143.6mm)	7.36" (187.0mm)	4.35" (110.5mm)	5.54" (140.6mm)
8"	Ø 7.87"-8.74" (199.9-222.0mm)	SL-ML	7.60" (193.0mm)	9.25" (235.0mm)	4.35" (110.5mm)	6.05" (153.7mm)
<b>Square</b>						
4"	□ 4.50"-5.00" (114.3-127.0mm)	SL-ML	3.58" (90.9mm)	5.86" (148.9mm)	4.35" (110.5mm)	5.87" (149.2mm)
6"	□ 6.40"-7.00" (162.6-177.8mm)	SL-ML	5.43" (137.8mm)	7.71" (195.8mm)	4.35" (110.5mm)	5.91" (150.2mm)
8"	□ 8.00"-9.00" (203.2-228.6mm)	SL-ML	7.09" (180.0mm)	9.37" (238.0mm)	4.35" (110.5mm)	6.70" (170.2mm)

**DIMENSIONS (CONTINUED)**

**MOUNTING PANS**



**4" & 6" MODELS  
ROUND**

**4" & 6" MODEL  
SQUARE**

**8" MODEL  
ROUND & SQUARE**

**For 4" & 6" Models:**

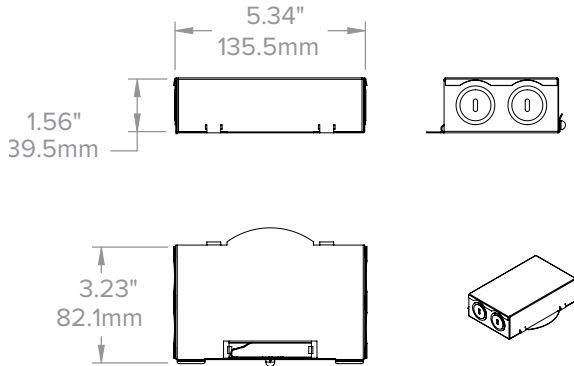
Catalog Number	"A" Aperture Opening	"B" Overall Length	"C" Overall Width	"D" Height	"E" Pan Length	"F" Pan Width	"G" Aperture Center
Round		17.65" (448.3mm)	14.57"-24.00" (370.1mm-609.6mm)	1.68" (42.7mm)	15.03" (381.8mm)	12.28" (311.9mm)	4.32" (109.7mm)
FRAME4R-HB	Ø 4.94" (125.5mm)						
FRAME6R-HB	Ø 6.64" (168.7mm)						
Square		17.65" (448.3mm)	14.57"-24.00" (370.1mm-609.6mm)	1.68" (42.7mm)	15.03" (381.8mm)	12.28" (311.9mm)	4.32" (109.7mm)
FRAME4S-HB	□ 4.83" (122.7mm)						
FRAME6S-HB	□ 6.83" (173.5mm)						

**For 8" Model:**

Catalog Number	"A" Aperture Opening	"B" Overall Length	"C" Overall Width	"D" Height	"E" Pan Length	"F" Pan Width	"G" Aperture Center
FRAME8-HB	Ø 8.07" (205mm)	17.65" (448.3mm)	14.57"-24.00" (370.1mm-609.6mm)	1.68" (42.7mm)	15.03" (381.8mm)	12.99" (329.9mm)	5.14" (130.6mm)

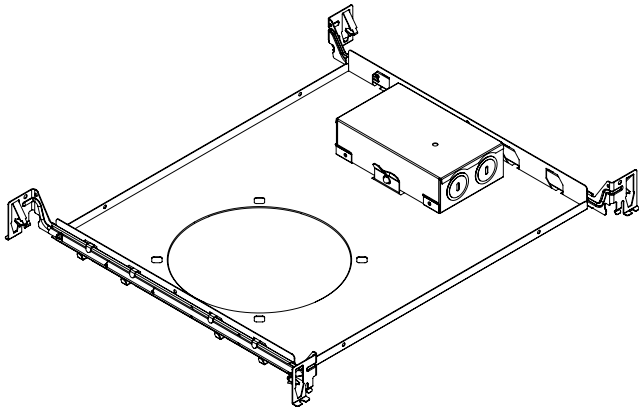
**DIMENSIONS CONTINUED**

**SNAP-IN JUNCTION BOX ACCESSORY**



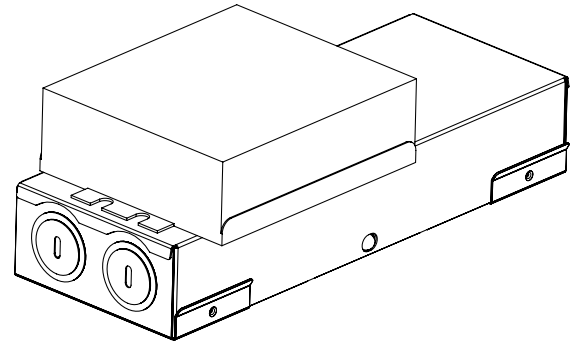
**J-BOX (93313557)**

*Optional if needed or required per local code*



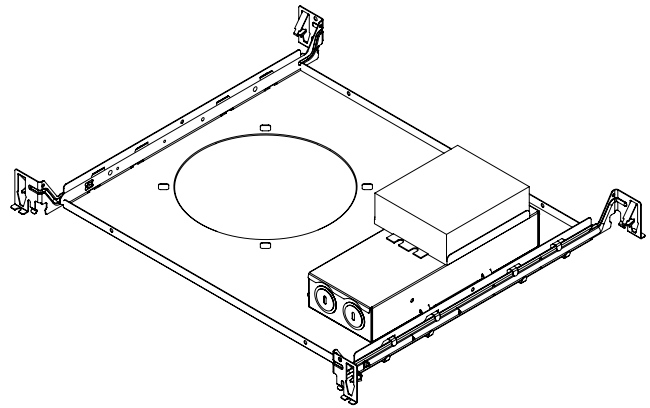
**Frame and Junction Box Example**  
FRAME6R-HB and J-BOX (93313557)  
*(ordered separately)*

**EMERGENCY BATTERY BACKUP KIT ACCESSORY**



**Emergency Battery Backup Accessory Kit (LDEMBBKIT)**

Overall dimensions:  
8.81" (223.8mm) L x 3.74" (95.0 mm) W x 2.86" (72.6mm) H



**Emergency Battery Backup and Frame Example**  
FRAME6R-HB and LDEMBBKIT  
*(ordered separately)*

**PERFORMANCE DATA TABLE**

Based on 3000K, 90 CRI, Diffuse reflector finish

Model	Module	Power Level	Lumen	Watt (W)	Efficacy (LPW)	Beam Angle
4" Round Downlight	DSL	Low	866	8.6	101	61°
		Med	1169	11.8	99	
		High	1598	16.7	96	
	DML	Low	1488	15.6	96	66°
		Med	1970	21.2	93	
		High	2536	28.4	89	
6" Round Downlight	DSL	Low	926	8.6	108	65°
		Med	1250	11.8	106	
		High	1709	16.7	103	
	DML	Low	1578	15.6	103	72°
		Med	2093	21.2	99	
		High	2695	28.4	95	
8" Round Downlight	DSL	Low	931	8.6	108	60°
		Med	1257	11.8	107	
		High	1719	16.7	103	
	DML	Low	1575	15.6	101	65°
		Med	2088	21.2	99	
		High	2738	28.4	96	

Model	Module	Power Level	Lumen	Watt (W)	Efficacy (LPW)	Beam Angle
4" Square Downlight	DSL	L	861	8.8	98	62°
		M	1169	12.0	97	
		H	1584	17.1	93	
	DML	L	1455	15.7	93	65°
		M	1940	21.5	90	
		H	2475	28.6	87	
6" Square Downlight	DSL	L	1005	8.8	115	66°
		M	1364	12.0	113	
		H	1849	17.1	108	
	DML	L	1711	15.7	109	70°
		M	2282	21.5	106	
		H	2911	28.6	102	
8" Square Downlight	DSL	L	991	8.8	113	63°
		M	1345	12.0	112	
		H	1823	17.1	107	
	DML	L	1688	15.7	108	67°
		M	2251	21.5	105	
		H	2872	28.6	101	

**LUMEN MULTIPLIER**

Module	2700K	3000K	3500K	4000K	5000K
DSL	0.99	1.00	1.01	1.02	1.03
DML	1.00	1.00	1.01	1.01	1.01

Photometrics are published at nominal 3000K, 90 CRI. This table may be used to approximate the lumen values at different Kelvin temperature settings. Power consumption remains the same.

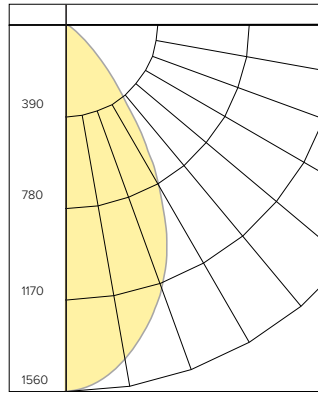
**PHOTOMETRY**

**LBRP3-M-LSDSLCS9 / LBRP-4RD-T-D**

**LUMINAIRE DATA**

Description	4" Round, Diffuse Reflector, @ High Setting, 3000K
Delivered Lumens	1598
Watts	16.7W
Efficacy	96 lm/W
Mounting	Recessed
Spacing Criterion	0.92
Beam Angle	61°

**POLAR GRAPH**



**CANDELA DISTRIBUTION**

Degree	Candela
0	1560
5	1530
15	1335
25	1019
35	565
45	209
55	64
65	26
75	10
85	2

**LUMINANCE DATA\***

Vertical Angle	Average
45°	28001
55°	10533
65°	5915
75°	3695
85°	2173

\*Candela/Square Meter

**ZONAL LUMEN SUMMARY**

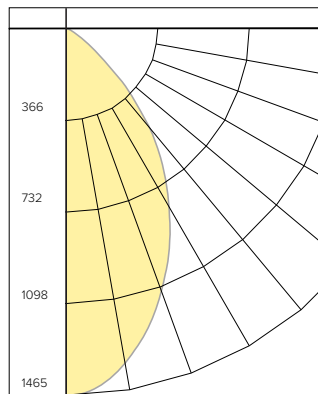
Zone	Lumens	% Luminaire
0-40	1331	83.3
0-60	1558	97.5
0-90	1598	100.0
0-180	1598	100.0

**LBRP3-M-LSDSLCS9 / LBRP-6RD-T-D**

**LUMINAIRE DATA**

Description	6" Round, Diffuse Reflector, @ High Setting, 3000K
Delivered Lumens	1709
Watts	16.7W
Efficacy	102 lm/W
Mounting	Recessed
Spacing Criterion	0.92
Beam Angle	65°

**POLAR GRAPH**



**CANDELA DISTRIBUTION**

Degree	Candela
0	1465
5	1435
15	1237
25	961
35	659
45	331
55	95
65	25
75	13
85	3

**LUMINANCE DATA\***

Vertical Angle	Average
45°	23570
55°	8301
65°	2980
75°	2433
85°	1619

\*Candela/Square Meter

**ZONAL LUMEN SUMMARY**

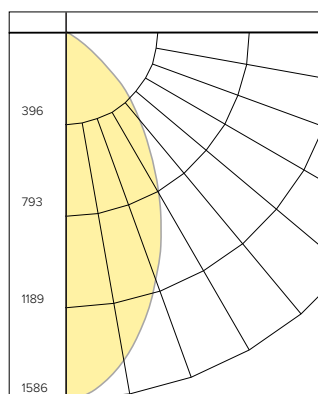
Zone	Lumens	% Luminaire
0-40	1328	28.1
0-60	1667	97.6
0-90	1709	100.0
0-180	1709	100.0

**LBRP3-M-LSDSLCS9 / LBRP-8RD-T-D**

**LUMINAIRE DATA**

Description	8" Round, Diffuse Reflector, @ High Setting, 3000K
Delivered Lumens	1719
Watts	16.7W
Efficacy	103lm/W
Mounting	Recessed
Spacing Criterion	0.94
Beam Angle	60°

**POLAR GRAPH**



**CANDELA DISTRIBUTION**

Degree	Candela
0	1586
5	1545
15	1297
25	971
35	635
45	361
55	93
65	6
75	3
85	1
90	0

**LUMINANCE DATA\***

Vertical Angle	Average
45°	13480
55°	4279
65°	381
75°	265
85°	212

\*Candela/Square Meter

**ZONAL LUMEN SUMMARY**

Zone	Lumens	% Luminaire
0-40	1348	78.4
0-60	1708	99.4
0-90	1719	100.0
0-180	1719	100.0

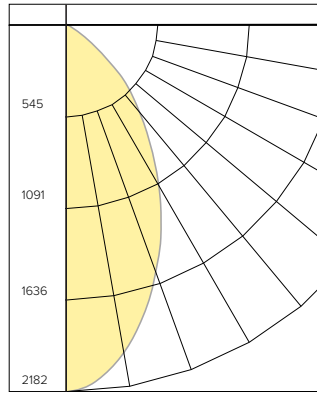
**PHOTOMETRY**

**LBRP3-M-LSDMLCS9 / LBRP-4RD-T-D**

**LUMINAIRE DATA**

Test No.	4" Round, Diffuse Reflector, @ High Setting, 3000K
Delivered Lumens	2536
Watts	28.4W
Efficacy	89 lm/W
Mounting	Recessed
Spacing Criterion	1.0
Beam Angle	66°

**POLAR GRAPH**



**CANDELA DISTRIBUTION**

Degree	Candela
0	2182
5	2146
15	1920
25	1777
35	969
45	385
55	109
65	46
75	18
85	3

**LUMINANCE DATA\***

Vertical Angle	Average
45°	51596
55°	18044
65°	10351
75°	6439
85°	3585

\*Candela/Square Meter

**ZONAL LUMEN SUMMARY**

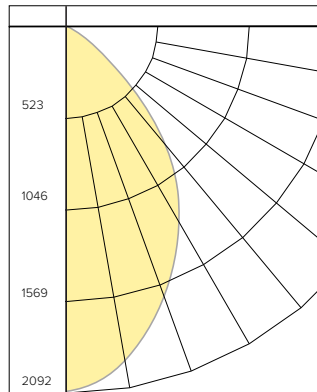
Zone	Lumens	% Luminaire
0-40	2055	81.0
0-60	2466	97.2
0-90	2536	100.0
0-180	2536	100.0

**LBRP3-M-LSDMLCS9 / LBRP-6RD-T-D**

**LUMINAIRE DATA**

Description	6" Round, Diffuse Reflector, @ High Setting, 3000K
Delivered Lumens	2695
Watts	28.4W
Efficacy	95 lm/W
Mounting	Recessed
Spacing Criterion	1.06
Beam Angle	72°

**POLAR GRAPH**



**CANDELA DISTRIBUTION**

Degree	Candela
0	2091
5	2049
15	1799
25	1460
35	1088
45	585
55	165
65	34
75	16
85	4

**LUMINANCE DATA\***

Vertical Angle	Average
45°	41689
55°	14493
65°	4101
75°	3056
85°	2197

\*Candela/Square Meter

**ZONAL LUMEN SUMMARY**

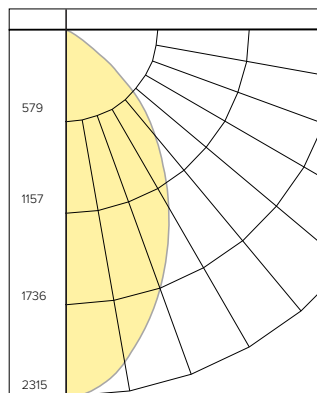
Zone	Lumens	% Luminaire
0-40	2041	75.6
0-60	2639	97.9
0-90	2695	100.0
0-180	2695	100.0

**LBRP-M-LSDMLCS9 / LBRP-8RD-T-D**

**LUMINAIRE DATA**

Description	8" Round, Diffuse Reflector, @ High Setting, 3000K
Delivered Lumens	2738
Watts	28.4W
Efficacy	96 lm/W
Mounting	Recessed
Spacing Criterion	0.90
Beam Angle	65°

**POLAR GRAPH**



**CANDELA DISTRIBUTION**

Degree	Candela
0	2315
5	2258
15	1918
25	1485
35	1047
45	642
55	165
65	10
75	4
85	1
90	0

**LUMINANCE DATA\***

Vertical Angle	Average
45°	23968
55°	7595
65°	625
75°	439
85°	394

\*Candela/Square Meter

**ZONAL LUMEN SUMMARY**

Zone	Lumens	% Luminaire
0-40	2082	76.0
0-60	2721	99.4
0-90	2738	100.0
0-180	2738	100.0

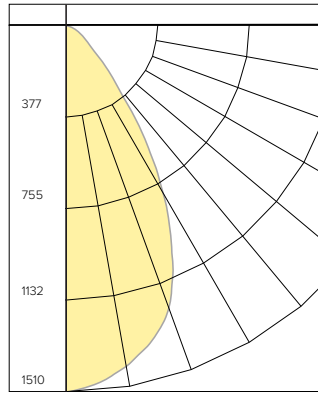
**PHOTOMETRY**

**LBRP3-M-LSDSLCS9 / LBRP-4SQD-T-D**

**LUMINAIRE DATA**

Description	4" Square, Diffuse Reflector, @ High Setting, 3000K
Delivered Lumens	1584
Watts	17.1W
Efficacy	93 lm/W
Mounting	Recessed
Spacing Criterion	0.96
Beam Angle	62°

**POLAR GRAPH**



**CANDELA DISTRIBUTION**

Degree	Candela
0	1510
5	1484
15	1350
25	1031
35	536
45	198
55	87
65	40
75	15
85	3

**LUMINANCE DATA\***

Vertical Angle	Average
45°	33857
55°	18283
65°	11490
75°	7159
85°	4585

\*Candela/Square Meter

**ZONAL LUMEN SUMMARY**

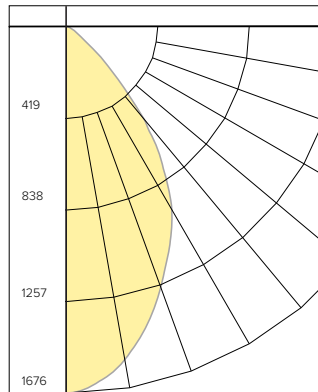
Zone	Lumens	% Luminaire
0-40	1270	80.2
0-60	1519	95.9
0-90	1584	100.0
0-180	1584	100.0

**LBRP3-M-LSDSLCS9 / LBRP-6SQD-T-D**

**LUMINAIRE DATA**

Description	6" Square, Diffuse Reflector, @ High Setting, 3000K
Delivered Lumens	1849
Watts	17.1W
Efficacy	108 lm/W
Mounting	Recessed
Spacing Criterion	1.00
Beam Angle	66°

**POLAR GRAPH**



**CANDELA DISTRIBUTION**

Degree	Candela
0	2310
5	2271
15	2085
25	1766
35	1343
45	769
55	61
65	17
75	7
85	1

**LUMINANCE DATA\***

Vertical Angle	Average
45°	18989
55°	2964
65°	1308
75°	834
85°	906

\*Candela/Square Meter

**ZONAL LUMEN SUMMARY**

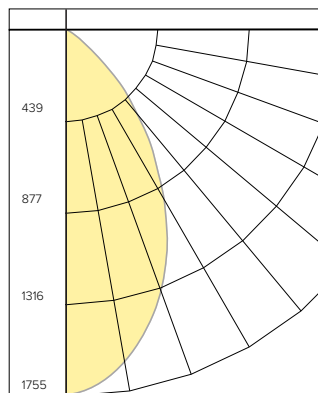
Zone	Lumens	% Luminaire
0-40	1516	82.0
0-60	1831	99.0
0-90	1849	100.0
0-180	1849	100.0

**LBRP3-M-LSDSLCS9 / LBRP-8SQD-T-D**

**LUMINAIRE DATA**

Description	8" Square, Diffuse Reflector, @ High Setting, 3000K
Delivered Lumens	1823
Watts	17.1W
Efficacy	107 lm/W
Mounting	Recessed
Spacing Criterion	0.92
Beam Angle	63°

**POLAR GRAPH**



**CANDELA DISTRIBUTION**

Degree	Candela
0	1755
5	1715
15	1486
25	1143
35	722
45	352
55	52
65	8
75	3
85	1
90	0

**LUMINANCE DATA\***

Vertical Angle	Average
45°	15340
55°	2764
65°	554
75°	345
85°	353

\*Candela/Square Meter

**ZONAL LUMEN SUMMARY**

Zone	Lumens	% Luminaire
0-40	1551	85.1
0-60	1811	99.3
0-90	1823	100.0
0-180	1823	100.0

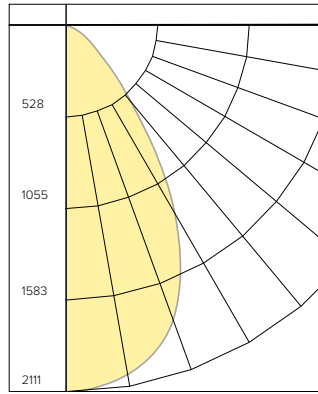
**PHOTOMETRY**

**LBRP3-M-LSDMLCS9 / LBRP-4SQD-T-D**

**LUMINAIRE DATA**

Description	4" Square, Diffuse Reflector, @ High Setting, 3000K
Delivered Lumens	2475
Watts	28.6W
Efficacy	86.7 lm/W
Mounting	Recessed
Spacing Criterion	1.00
Beam Angle	65°

**POLAR GRAPH**



**CANDELA DISTRIBUTION**

Degree	Candela
0	2111
5	2092
15	1949
25	1540
35	867
45	367
55	168
65	76
75	28
85	6

**LUMINANCE DATA\***

Vertical Angle	Average
45°	62885
55°	35553
65°	21691
75°	13101
85°	8892

\*Candela/Square Meter

**ZONAL LUMEN SUMMARY**

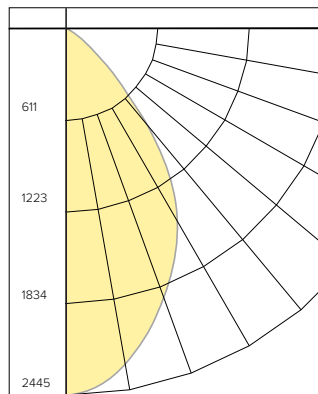
Zone	Lumens	% Luminaire
0-40	1906	77.0
0-60	2358	95.3
0-90	2475	100.0
0-180	2475	100.0

**LBRP3-M-LSDMLCS9 / LBRP-6SQD-T-D**

**LUMINAIRE DATA**

Description	6" Square, Diffuse Reflector, @ High Setting, 3000K
Delivered Lumens	2911
Watts	28.6W
Efficacy	102 lm/W
Mounting	Recessed
Spacing Criterion	1.04
Beam Angle	70°

**POLAR GRAPH**



**CANDELA DISTRIBUTION**

Degree	Candela
0	2445
5	2398
15	2095
25	1697
35	1185
45	428
55	58
65	19
75	7
85	3

**LUMINANCE DATA\***

Vertical Angle	Average
45°	31853
55°	5286
65°	2329
75°	1485
85°	1933

\*Candela/Square Meter

**ZONAL LUMEN SUMMARY**

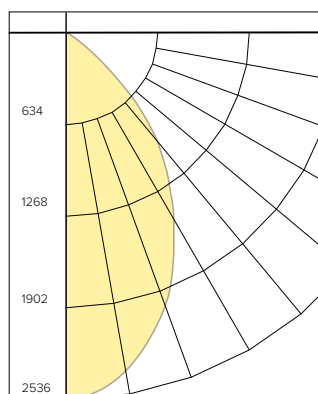
Zone	Lumens	% Luminaire
0-40	2325	79.9
0-60	2878	98.9
0-90	2911	100.0
0-180	2911	100.0

**LBRP3-M-LSDMLCS9 / LBRP-8SQD-T-D**

**LUMINAIRE DATA**

Description	8" Square, Diffuse Reflector, @ High Setting, 3000K
Delivered Lumens	2872
Watts	28.6W
Efficacy	100 lm/W
Mounting	Recessed
Spacing Criterion	0.96
Beam Angle	67°

**POLAR GRAPH**



**CANDELA DISTRIBUTION**

Degree	Candela
0	2536
5	2496
15	2200
25	1746
35	1214
45	641
55	82
65	14
75	6
85	2
90	0

**LUMINANCE DATA\***

Vertical Angle	Average
45°	27923
55°	4396
65°	1034
75°	654
85°	671

\*Candela/Square Meter

**ZONAL LUMEN SUMMARY**

Zone	Lumens	% Luminaire
0-40	2385	83.1
0-60	2850	99.2
0-90	2872	100.0
0-180	2872	100.0