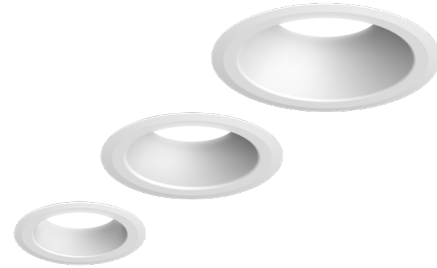


LBRST-RD (120-347V)

STANDARD CANLESS DIRECT INSTALL DOWNLIGHT

LITEBOX[®]
standard



FEATURES

- 4", 6" and 8" apertures, delivering 750 to 4600 lumens
- Switchable Lumen and CCT
- Switchable CCT (27/30/35/40/50K)
- Optional support pans for Joist or T-Grid ceilings
- Universal 120–347V with Tri-Dimming (0–10V/TRIAC/ELV)
- Long Life L90 at >60,000 hrs (TM-21)
- Five year warranty



*(Select models)



SERVICE PROGRAMS



SPECIFICATIONS

CONSTRUCTION

- Canless direct install New Construction or Remodel, Non-IC. Select IC models available.
- Non-conductive "Dead Front" snap-in trims available
- Single piece luminaire allowing for quick, simple and tool-less install

OPTICS

- Decorative snap-in trims, available in white, black and silver
- Polycarbonate lensed optic, suitable for wet location, covered ceiling applications

ELECTRICAL

- LED array with 3 SDCM color consistency
- Long LED life: Maintain 90% of lumen output at >60,000 hours of operation (L90 at 60,000hr TM-21)
- Switchable CCT (2700K, 3000K, 3500K, 4000K, 5000K)
- 90 CRI+ with R9 >50
- Switchable Lumen: 4" (750/1100/1500lm); 6" (1100/1500/2500lm); 8" (3000/4000/4600lm)
- High efficiency integral driver with universal 120-347V, 50/60Hz

ELECTRICAL (CONTINUED)

- Flicker-Free 0-10V/TRIAC/ELV dimming to 5%
- See Additional Information section for a list of recommended dimmers
- Meets Class A (<24dba) noise rating
- FCC CFR 47 Part 15 Class B
- ≥ 0.9 Power Factor, <20% THD

INSTALLATION

- Robust trim mounting springs hold fixture firmly against ceiling surface
- Accommodates ceiling thicknesses up to 1" (for 6" and 8"); ¾" (for 4")
- Fixture installs below the ceiling without a housing
- Optional support pan accessories with or without bar hangers available
- Switchable CCT: Field select CCT at installation with an integral switch on fixture module
- Switchable Lumen: Field select lumen output at installation with an integral switch of fixture module

CERTIFICATIONS

- cETLus listed to UL1598
- Can be used in direct contact with insulation (IC Rated, SL Only)
- Certified Air Tight per ASTM E283
- Suitable for wet locations, covered ceilings

WARRANTY

- 5 year warranty

KEY DATA	
Lumen Range	750–4600
Wattage Range	9–49
Efficacy Range (LPW)	75–103
Reported Life (Hours)	L90 @ 60,000
Input Current (mA)	71–308 (120V)

LBRST-RD (120-347V)

STANDARD CANLESS DIRECT INSTALL DOWNLIGHT



ORDERING GUIDE

Example: LBRST-4RD-M-LSSLCS9-WH-34

CATALOG #

FIXTURE MODULE / TRIM

LBRST	M	LS								
Family	Model/Type	Switchable Technology								
LBRST LiteBox® Standard	M Fixture Module/Trim, Round Direct Install, 120–347V with Tri-Dimming (0–10V/ELV/TRIAC) to 5%	LS Switchable Lumen								
<table border="1"> <thead> <tr> <th>Aperture/Shape/Function</th> <th>Nominal Lumen Range ¹</th> </tr> </thead> <tbody> <tr> <td>4RD 4" Round</td> <td>SL 750/1100/1500 lumens (4" only)</td> </tr> <tr> <td>6RD 6" Round</td> <td>ML 1100/1500/2500 lumens (6" only)</td> </tr> <tr> <td>8RD 8" Round</td> <td>HL 3000/4000/4600 lumens (8" only)</td> </tr> </tbody> </table>	Aperture/Shape/Function	Nominal Lumen Range ¹	4RD 4" Round	SL 750/ 1100 /1500 lumens (4" only)	6RD 6" Round	ML 1100/ 1500 /2500 lumens (6" only)	8RD 8" Round	HL 3000/ 4000 /4600 lumens (8" only)		
Aperture/Shape/Function	Nominal Lumen Range ¹									
4RD 4" Round	SL 750/ 1100 /1500 lumens (4" only)									
6RD 6" Round	ML 1100/ 1500 /2500 lumens (6" only)									
8RD 8" Round	HL 3000/ 4000 /4600 lumens (8" only)									

CS9	WH	34
CCT/CRI ¹	Reflector Finish/Color	Voltage
CS9 Switchable CCT (2700/3000/ 3500 /4000/5000K), 90CRI	WH White	34 120–347V

Accessories (Order separately)

Notes:
1 Factory default setting in bold

COLOR TRIM ACCESSORIES

- LBRST-4RD-T-BL Trim Accessory, 4" Round, Black
- LBRST-4RD-T-SVR Trim Accessory, 4" Round, Silver
- LBRST-4RD-T-WH Trim Accessory, 4" Round, White
- LBRST-6RD-T-BL Trim Accessory, 6" Round, Black
- LBRST-6RD-T-SVR Trim Accessory, 6" Round, Silver
- LBRST-6RD-T-WH Trim Accessory, 6" Round, White
- LBRST-8RD-T-BL Trim Accessory, 8" Round, Black
- LBRST-8RD-T-SVR Trim Accessory, 8" Round, Silver
- LBRST-8RD-T-WH Trim Accessory, 8" Round, White

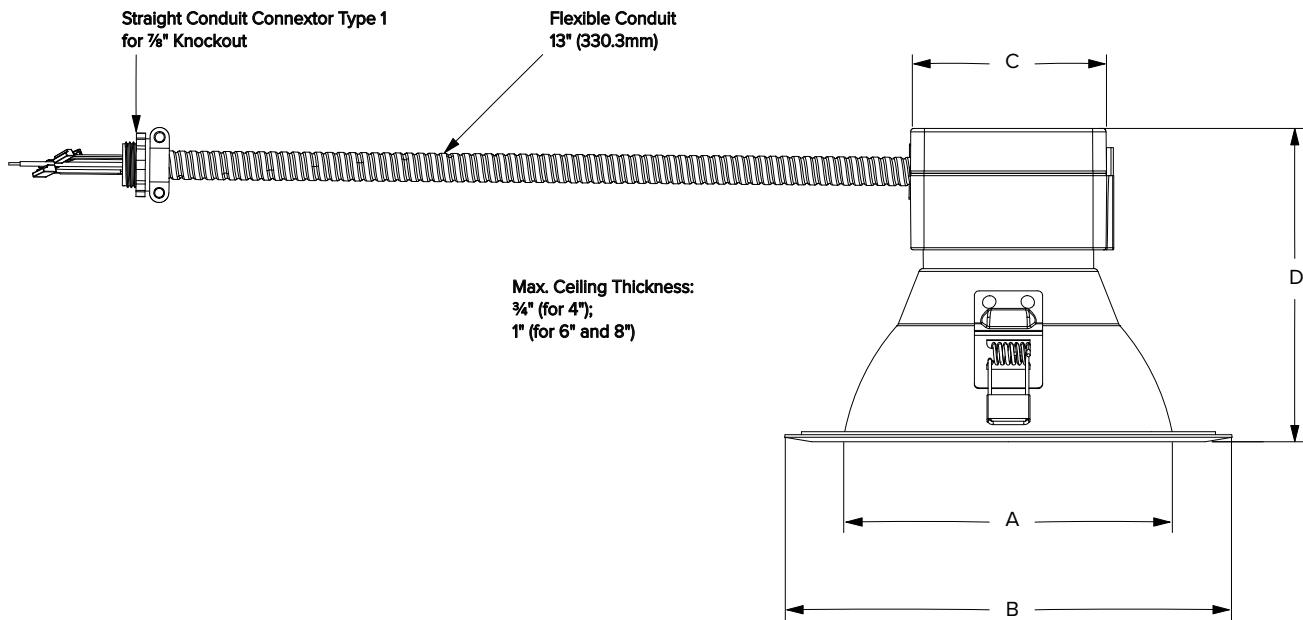
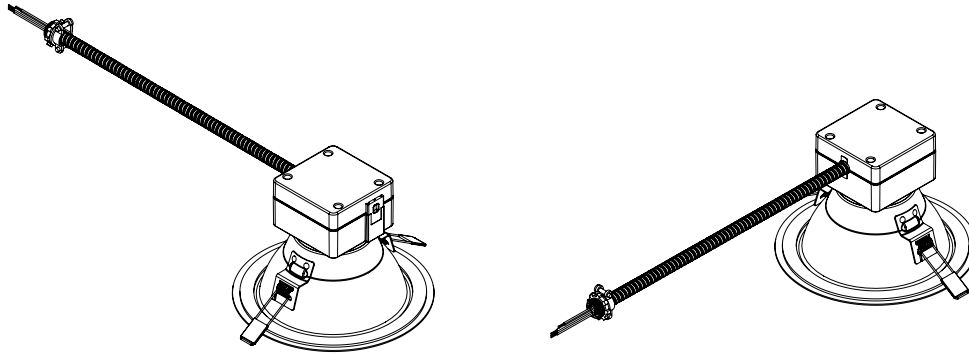
PAN ACCESSORIES

- LB-4R-F-TG Accessory, Pan w/Bar Hangers for T-Grid/Joist, 4" Round
- LB-4R-F-J Accessory, Pan Support for Joist, 4" Round
- LB-6R-F-TG Accessory, w/Bar Hangers for T-Grid/Joist, 6" Round
- LB-6R-F-J Accessory, Pan Support for Joist, 6" Round
- LB-8R-F-TG Accessory, w/Bar Hangers for T-Grid/Joist, 8" Round
- LB-8R-F-J Accessory, Pan Support for Joist, 8" Round

LBRST-RD (120-347V)

STANDARD CANLESS DIRECT INSTALL DOWNLIGHT

DIMENSIONS



Aperture	Ceiling Cutout Min.-Max.
4"	4.7" ~ 5.0" (119.4mm ~ 127.0mm)
6"	6.0" ~ 6.7" (152.4mm ~ 170.2mm)
8"	7.8" ~ 8.8" (198.1mm ~ 223.5mm)

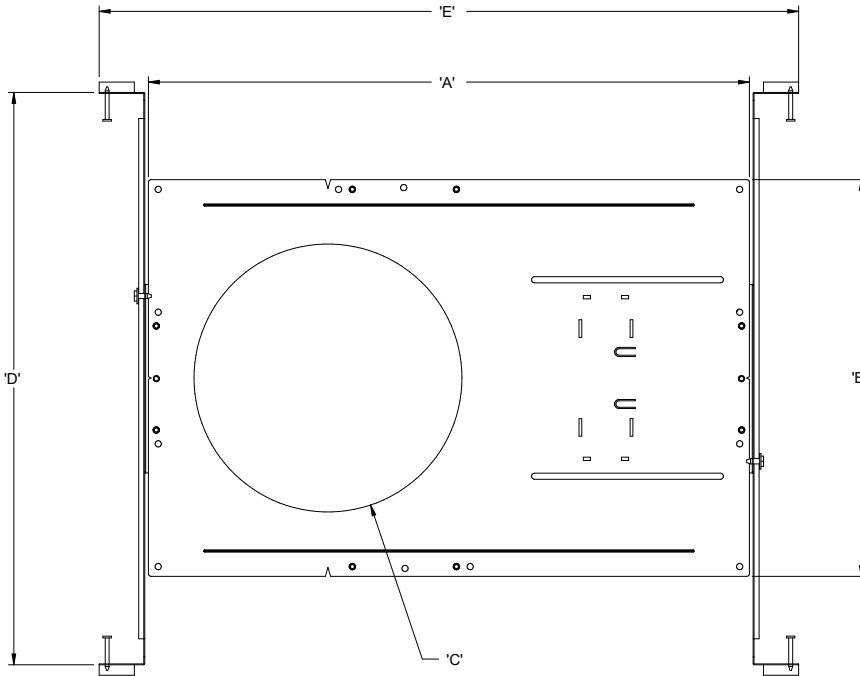
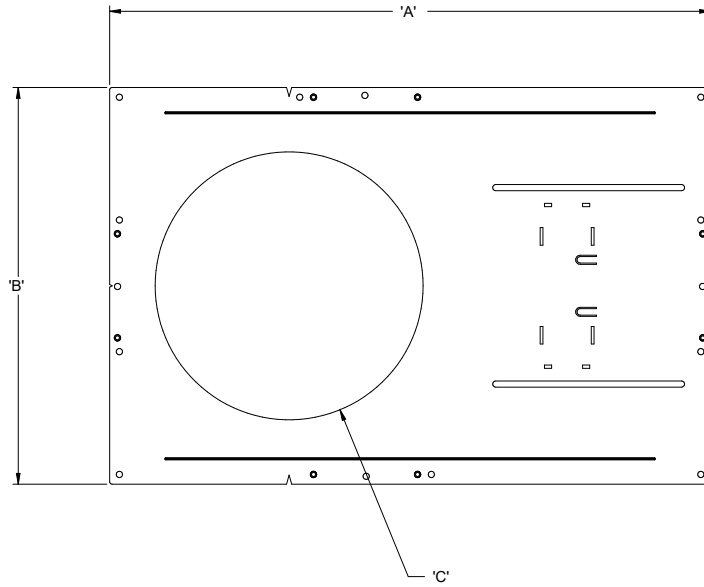
Nominal Aperture	A Aperture Diameter	B Overall Trim Diameter	C Overall Module Heat Sink	D Overall Height (Assembled)
4"	3.98" (101.2mm)	5.6" (142.3mm)	3.40" (86.4mm)	4.68" (118.8mm)
6"	5.59" (141.9mm)	7.75" (196.8mm)	3.40" (86.4mm)	5.43" (137.8mm)
8"	7.43" (188.6mm)	9.75" (247.6mm)	3.40" (86.4mm)	6.02" (152.8mm)

LBRST-RD (120-347V)

STANDARD CANLESS DIRECT INSTALL DOWNLIGHT

DIMENSIONS (CONTINUED)

Pan Support for Joist
LB-4R-F-J / LB-6R-F-J / LB-8R-F-J



Pan with Bar Hangers for T-Grid / Joist
LB-4R-F-TG / LB-6R-F-TG / LB-8R-F-TG

Accessory	DESCRIPTION	'A'	'B'	'C'	'D' Min.	'D' Max.	'E'
LB-4R-F-J	4" Round	16.54" (420.1 mm)	6.50" (165.1 mm)	4.92" (125.0 mm)	—	—	—
LB-6R-F-J	6" Round	18.19" (462.0 mm)	9.02" (229.1 mm)	6.26" (159.0 mm)	—	—	—
LB-8R-F-J	8" Round	18.19" (462.0 mm)	12.01" (305.1 mm)	8.11" (206.0 mm)	—	—	—
LB-4R-F-TG	4" Round	16.54" (420.1 mm)	6.50" (165.1 mm)	4.92" (125.0 mm)	14.17" (359.9 mm)	25.00" (635.0 mm)	19.52" (495.8 mm)
LB-6R-F-TG	6" Round	18.19" (462.0 mm)	9.02" (229.1 mm)	6.26" (159.0 mm)	14.17" (359.9 mm)	25.00" (635.0 mm)	21.17" (537.7 mm)
LB-8R-F-TG	8" Round	18.19" (462.0 mm)	12.01" (305.1 mm)	8.11" (206.0 mm)	14.17" (359.9 mm)	25.00" (635.0 mm)	21.17" (537.7 mm)

LBRST-RD (120-347V)

STANDARD CANLESS DIRECT INSTALL DOWNLIGHT

PERFORMANCE DATA TABLE

Nominal Aperture	Switchable Lumen Setting	Nominal Lumens	Cat #	CCT	CRI	Delivered Lumens	Watts	LPW
4"	Low	750	LBRST-4RD-M-LSSL-CS9-WH-34	27K	90	773	8.8W	88
			LBRST-4RD-M-LSSL-CS9-WH-34	30K		780	8.8W	89
			LBRST-4RD-M-LSSL-CS9-WH-34	35K		787	8.8W	90
			LBRST-4RD-M-LSSL-CS9-WH-34	40K		795	8.7W	92
			LBRST-4RD-M-LSSL-CS9-WH-34	50K		807	8.8W	92
	Med	1100	LBRST-4RD-M-LSSL-CS9-WH-34	27K		1090	12.8W	85
			LBRST-4RD-M-LSSL-CS9-WH-34	30K		1105	12.8W	86
			LBRST-4RD-M-LSSL-CS9-WH-34	35K		1119	12.8W	87
			LBRST-4RD-M-LSSL-CS9-WH-34	40K		1133	12.9W	88
			LBRST-4RD-M-LSSL-CS9-WH-34	50K		1153	12.9W	89
	High	1500	LBRST-4RD-M-LSSL-CS9-WH-34	27K		1521	18.9W	80
			LBRST-4RD-M-LSSL-CS9-WH-34	30K		1539	19.1W	81
			LBRST-4RD-M-LSSL-CS9-WH-34	35K		1560	19.1W	82
			LBRST-4RD-M-LSSL-CS9-WH-34	40K		1572	19.1W	83
			LBRST-4RD-M-LSSL-CS9-WH-34	50K		1583	19.1W	83
6"	Low	1100	LBRST-6RD-M-LSML-CS9-WH-34	27K	1160	13.4W	87	
			LBRST-6RD-M-LSML-CS9-WH-34	30K	1183	13.4W	89	
			LBRST-6RD-M-LSML-CS9-WH-34	35K	1205	13.3W	91	
			LBRST-6RD-M-LSML-CS9-WH-34	40K	1227	13.3W	92	
			LBRST-6RD-M-LSML-CS9-WH-34	50K	1258	13.3W	95	
	Med	1500	LBRST-6RD-M-LSML-CS9-WH-34	27K	1470	17.4W	84	
			LBRST-6RD-M-LSML-CS9-WH-34	30K	1506	17.5W	86	
			LBRST-6RD-M-LSML-CS9-WH-34	35K	1540	17.5W	88	
			LBRST-6RD-M-LSML-CS9-WH-34	40K	1570	17.5W	90	
			LBRST-6RD-M-LSML-CS9-WH-34	50K	1613	17.5W	92	
	High	2500	LBRST-6RD-M-LSML-CS9-WH-34	27K	2351	30.8W	76	
			LBRST-6RD-M-LSML-CS9-WH-34	30K	2403	30.8W	78	
			LBRST-6RD-M-LSML-CS9-WH-34	35K	2455	30.7W	80	
			LBRST-6RD-M-LSML-CS9-WH-34	40K	2502	30.7W	82	
			LBRST-6RD-M-LSML-CS9-WH-34	50K	2543	30.5W	83	
8"	Low	3000	LBRST-8RD-M-30LWWCS9-WH	27K	3032	29.7W	102	
			LBRST-8RD-M-30LWWCS9-WH	30K	3074	29.8W	103	
			LBRST-8RD-M-30LWWCS9-WH	35K	3096	29.8W	104	
			LBRST-8RD-M-30LCWCS9-WH	40K	3118	29.7W	105	
			LBRST-8RD-M-30LCWCS9-WH	50K	3132	29.5W	106	
	Med	4000	LBRST-8RD-M-LSHL-CS9-WH-34	27K	3973	41.5W	96	
			LBRST-8RD-M-LSHL-CS9-WH-34	30K	4011	41.4W	97	
			LBRST-8RD-M-LSHL-CS9-WH-34	35K	4074	41.5W	98	
			LBRST-8RD-M-LSHL-CS9-WH-34	40K	4101	41.6W	99	
			LBRST-8RD-M-LSHL-CS9-WH-34	50K	4116	41.5W	99	
	High	4600	LBRST-8RD-M-LSHL-CS9-WH-34	27K	4477	48.7W	92	
			LBRST-8RD-M-LSHL-CS9-WH-34	30K	4527	48.6W	93	
			LBRST-8RD-M-LSHL-CS9-WH-34	35K	4568	48.5W	94	
			LBRST-8RD-M-LSHL-CS9-WH-34	40K	4596	48.4W	95	
			LBRST-8RD-M-LSHL-CS9-WH-34	50K	4611	48.2W	96	

LBRST-RD (120-347V)

STANDARD CANLESS DIRECT INSTALL DOWNLIGHT

PHOTOMETRY

LBRST-4RD-M-LSSL-CS9-WH-34

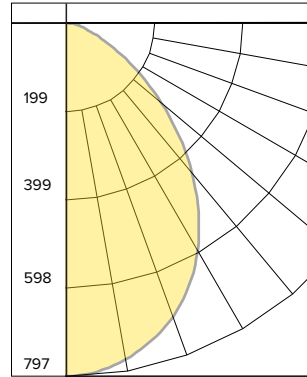
LUMINAIRE DATA

Test No	R070723-1-01
Description	4" LBRST, High Lumen @ 3000K
Delivered Lumens	1539
Watts	18.9W
Efficacy	81.1
Mounting	Recessed
Spacing Criterion	1.14

ZONAL LUMEN SUMMARY

Zone	Lumens	% Luminaire
0-40	914	59.4
0-60	1383	89.9
0-90	1539	100.0
0-180	1539	100.0

POLAR GRAPH



CANDELA DISTRIBUTION

Degree	Candela
0	797
5	790
15	744
25	657
35	522
45	362
55	208
65	94
75	42
85	10

LUMINANCE DATA*

Vertical Angle	Average
45°	63029
55°	44731
65°	27368
75°	19860
85°	14525

*Candela/Square Meter

LBRST-6RD-M-LSML-CS9-WH-34

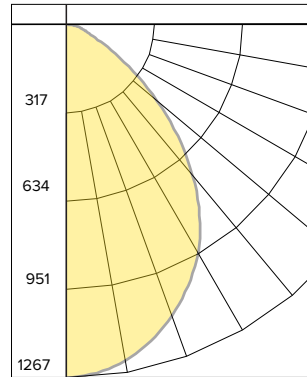
LUMINAIRE DATA

Test No	R070723-1-02
Description	6" LBRST, High Lumen @ 3000K
Delivered Lumens	2403
Watts	30.8W
Efficacy	78.1
Mounting	Recessed
Spacing Criterion	1.14

ZONAL LUMEN SUMMARY

Zone	Lumens	% Luminaire
0-40	1464	60.9
0-60	2194	91.3
0-90	2403	100.0
0-180	2403	100.0

POLAR GRAPH



CANDELA DISTRIBUTION

Degree	Candela
0	1267
5	1255
15	1178
25	1037
35	840
45	571
55	298
65	117
75	58
85	15

LUMINANCE DATA*

Vertical Angle	Average
45°	44257
55°	28493
65°	15117
75°	12283
85°	9402

*Candela/Square Meter

LBRST-8RD-M-LSHL-CS9-WH-34

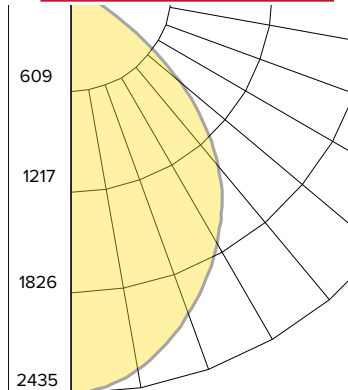
LUMINAIRE DATA

Test No	R070723-1-03
Description	8" LBRST, High Lumen @ 3000K
Delivered Lumens	4527
Watts	48.6W
Efficacy	93.1
Mounting	Recessed
Spacing Criterion	1.12

ZONAL LUMEN SUMMARY

Zone	Lumens	% Luminaire
0-40	2753	60.8
0-60	4189	92.5
0-90	4527	100.0
0-180	4527	100.0

POLAR GRAPH



CANDELA DISTRIBUTION

Degree	Candela
0	2435
5	2407
15	2222
25	1940
35	1608
45	1156
55	600
65	198
75	92
85	24

LUMINANCE DATA*

Vertical Angle	Average
45°	50384
55°	32245
65°	14448
75°	10910
85°	8482

*Candela/Square Meter

LUMEN MULTIPLIER

Option	27K, 90 CRI	30K, 90 CRI	35K, 90 CRI	40K, 90 CRI	50K, 90 CRI
Multiplier	0.99	1.00	1.01	1.08	1.03

Photometrics above are published at nominal 3000K, 90 CRI. This table may be used to approximate the lumen values at different Kelvin temperature settings. Power consumption remains the same.

LBRST-RD (120-347V)

STANDARD CANLESS DIRECT INSTALL DOWNLIGHT

DATE: _____ LOCATION: _____

TYPE: _____ PROJECT: _____

CATALOG #: _____

ADDITIONAL INFORMATION

Dimming Compatibility

For more details and recommended dimmer list, see Dimming Compatibility Information on currentlighting.com/prescolite.