

LITEBOX[®]
standard

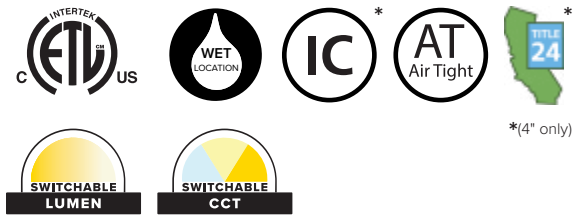


FEATURES

- 4", 6" and 8" apertures
- Switchable lumen output
- Switchable CCT (27/30/35/40/50K)
- New construction housing accessories available
- Universal 120–277V with Tri-Dimming (0–10V/TRIAC/ELV)
- Long Life L80 at >54,000 hrs (TM-21)
- Five year warranty

SERVICE PROGRAMS

trade**SELECT**[®]



*(4" only)

SPECIFICATIONS

CONSTRUCTION

- Canless New Construction, Remodel, or Retrofit, Non-IC. Select IC models available.
- Single piece luminaire allowing for quick, simple and tool-less install
- Color trim accessories available in White, Black and Silver offer dead front properties

OPTICS

- Polycarbonate lensed optic, suitable for wet location, covered ceiling applications

ELECTRICAL

- LED array with 3 SDCM color consistency
- Maintains 80% of lumen output at >54,000 hours of operation (L80 at 54,000hrs TM-21)
- Switchable CCT (2700K, 3000K, 3500K, 4000K, 5000K)
- 90 CRI+ with R9 >50
- Switchable Lumen: 4" (750/1100/1500lm); 6" (1100/1500/2500lm); 8" (3000/4000/4600lm)
- High efficiency integral driver with universal 120-277V, 50/60Hz All fixtures are 'EMR' emergency ready. Can be used as a standard (non emergency) or emergency unit. Please refer to installation instructions for wiring details.

ELECTRICAL (CONTINUED)

- Tri-Dimming: 0–10V to 1% and ELV/Triac Phase dimming to 5%
- See Additional Information section for a list of recommended dimmers
- Meets Class A (<24dba) noise rating
- FCC CFR 47 Part 15 Class B
- ≥ 0.9 Power Factor, <20% THD

INSTALLATION

- Robust trim mounting springs hold fixture firmly against ceiling surface
- Accommodates ceiling thicknesses up to 1" (for 6" and 8"); ¾" (for 4")
- Fixture installs below the ceiling without a housing
- Optional new construction mounting pans with bar hangers available
- Field select CCT at installation with an integral switch on fixture module
- Field select lumen output at installation with an integral switch of fixture module

CERTIFICATIONS

- cETLus listed to UL1598
- 4" models: Can be used in direct contact with insulation
- Certified Air Tight per ASTM E283
- 4" models: Meet CA Title 24 High Efficacy (JA8-2019) requirements
- Suitable for wet locations, covered ceilings
- Emergency battery packs are California Energy Commission (CEC) Title 20 Compliant

WARRANTY

- 5 year warranty

| KEY DATA | |
|-----------------------|---------------|
| Lumen Range | 750–4600 |
| Wattage Range | 9–49 |
| Efficacy Range (LPW) | 76–106 |
| Reported Life (Hours) | L80 @ >54,000 |

ORDERING GUIDE

Example: LBRST-4RD-M-LSSL-CS9-WH

CATALOG #

FIXTURE MODULE / TRIM

| LBRST | M | LS | | | | | | | | |
|--|--|----------------------------------|--------------|---|--------------|--|--------------|--|--|--|
| Family | Model/Type | Switchable Technology | | | | | | | | |
| LBRST LiteBox® Standard | M Fixture Module/Trim, Round Direct Install, 120–277V with Tri-Dimming 0–10V to 1% and ELV/Triac Phase to 5% | LS Switchable Lumen | | | | | | | | |
| <table border="1"> <thead> <tr> <th>Aperture/Shape/Function</th> <th>Nominal Lumen Range ¹</th> </tr> </thead> <tbody> <tr> <td>4RD 4" Round</td> <td>SL 750/1100/1500 lumens (4" only)</td> </tr> <tr> <td>6RD 6" Round</td> <td>ML 1100/1500/2500 lumens (6" only)</td> </tr> <tr> <td>8RD 8" Round</td> <td>HL 3000/4000/4600 lumens (8" only)</td> </tr> </tbody> </table> | Aperture/Shape/Function | Nominal Lumen Range ¹ | 4RD 4" Round | SL 750/1100/ 1500 lumens (4" only) | 6RD 6" Round | ML 1100/1500/ 2500 lumens (6" only) | 8RD 8" Round | HL 3000/4000/ 4600 lumens (8" only) | | |
| Aperture/Shape/Function | Nominal Lumen Range ¹ | | | | | | | | | |
| 4RD 4" Round | SL 750/1100/ 1500 lumens (4" only) | | | | | | | | | |
| 6RD 6" Round | ML 1100/1500/ 2500 lumens (6" only) | | | | | | | | | |
| 8RD 8" Round | HL 3000/4000/ 4600 lumens (8" only) | | | | | | | | | |

| CS9 | WH | EMR |
|--|------------------------|--|
| CCT/CRI ¹ | Reflector Finish/Color | Option |
| CS9 Switchable CCT (2700/3000/ 3500 /4000/5000K), 90CRI | WH White | EMR Emergency Battery Backup Ready <i>EMR is standard offering, please refer to wiring diagrams in installation instructions for details.</i> |

Accessories (Order separately)

Color Trim Accessories

- LBRST-4RD-T-BL Trim Accessory, 4" Round, Black
- LBRST-4RD-T-SVR Trim Accessory, 4" Round, Silver
- LBRST-4RD-T-WH Trim Accessory, 4" Round, White
- LBRST-6RD-T-BL Trim Accessory, 6" Round, Black
- LBRST-6RD-T-SVR Trim Accessory, 6" Round, Silver
- LBRST-6RD-T-WH Trim Accessory, 6" Round, White
- LBRST-8RD-T-BL Trim Accessory, 8" Round, Black
- LBRST-8RD-T-SVR Trim Accessory, 8" Round, Silver
- LBRST-8RD-T-WH Trim Accessory, 8" Round, White

Housing Accessories

- FRAME4R-HB 4" Round new construction housing
- FRAME6R-HB 6" Round new construction housing
- FRAME8-HB 8" Round & square combination new construction housing ²
- J-BOX New construction housing compatible junction box ³

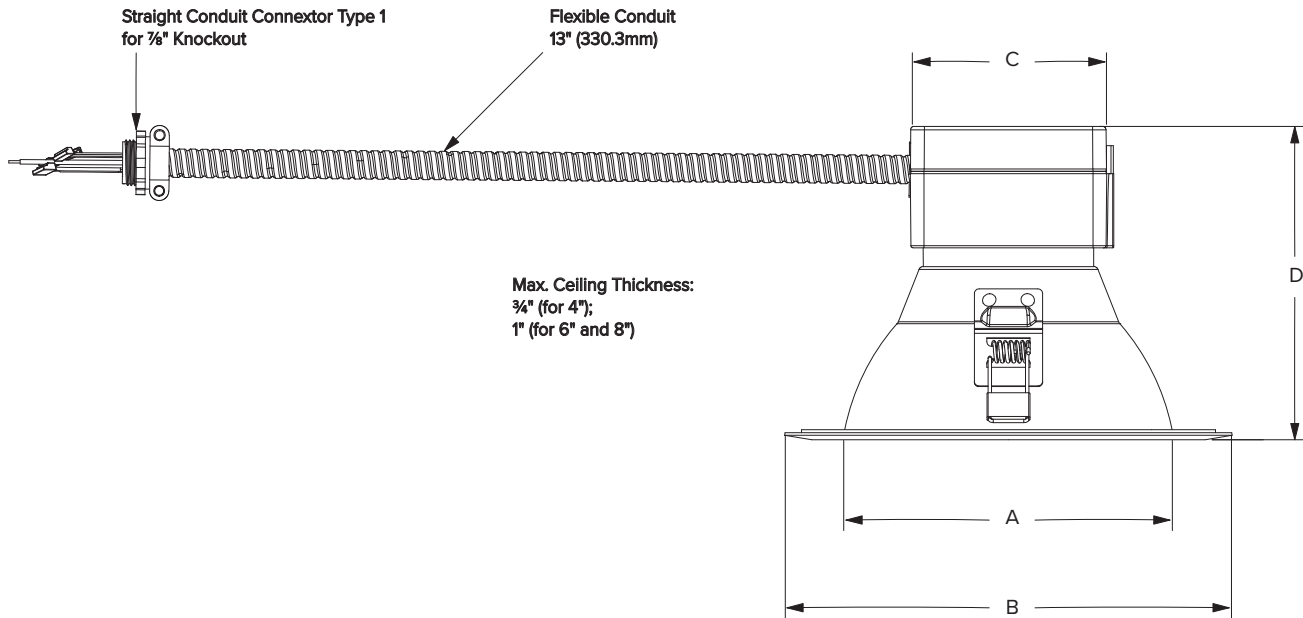
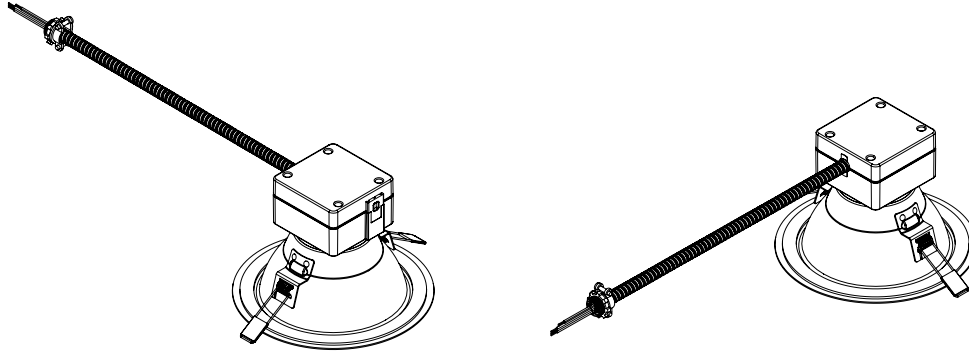
Emergency Backup Kit

- LDEMBBKIT Emergency Battery (CEC T20 compliant) Kit, remote test switch

Notes:

- 1 Factory default setting in bold
- 2 Housing comes ready for round trims as shown.
- 3 Junction box is not required but available as needed to meet local electrical codes.

DIMENSIONS

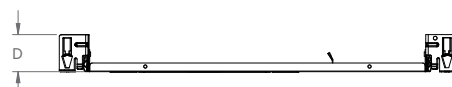
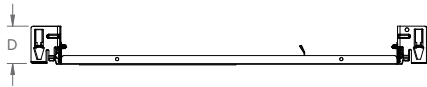
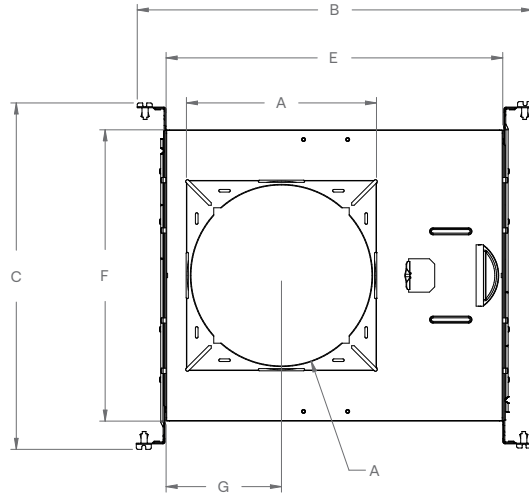
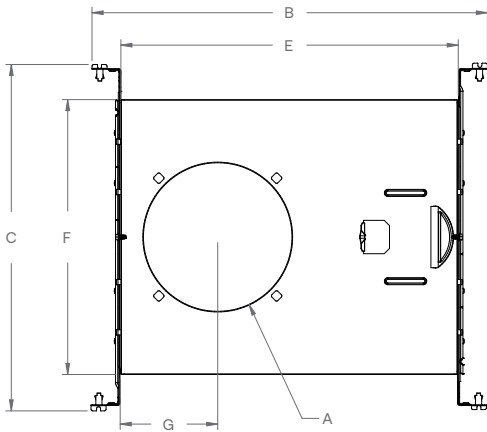
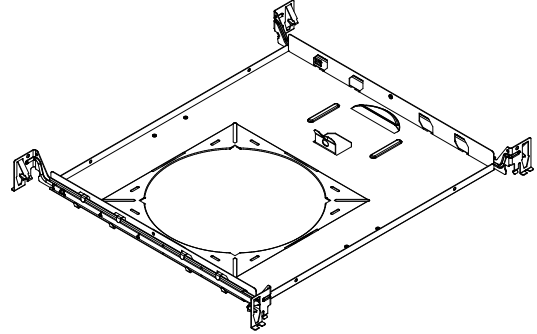
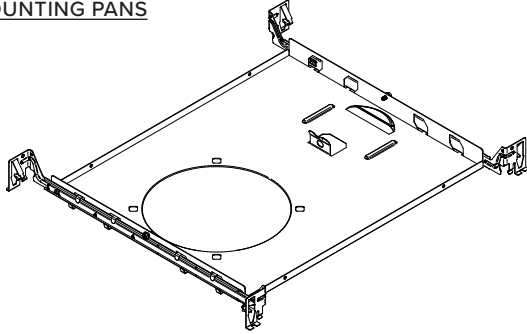


| Aperture | Ceiling Cutout Min.-Max. |
|----------|------------------------------------|
| 4" | 4.7" ~ 5.0" (119.4mm ~ 127.0mm) |
| 6" | 6.0" ~ 6.7" (152.4mm ~ 170.2mm) |
| 8" | 7.8" ~ 8.8" (198.1mm ~ 223.5mm) |

| Nominal Aperture | A Aperture Diameter | B Overall Trim Diameter | C Overall Module Heat Sink | D Overall Height (Assembled) |
|------------------|---------------------|-------------------------|----------------------------|------------------------------|
| 4" | 3.98" (101.2mm) | 5.6" (142.3mm) | 3.40" (86.4mm) | 4.68" (118.8mm) |
| 6" | 5.59" (141.9mm) | 7.75" (196.8mm) | 3.40" (86.4mm) | 5.43" (137.8mm) |
| 8" | 7.43" (188.6mm) | 9.75" (247.6mm) | 3.40" (86.4mm) | 6.02" (152.8mm) |

DIMENSIONS (CONTINUED)

MOUNTING PANS



4" & 6" MODELS

8" MODEL

For 4" & 6" Models:

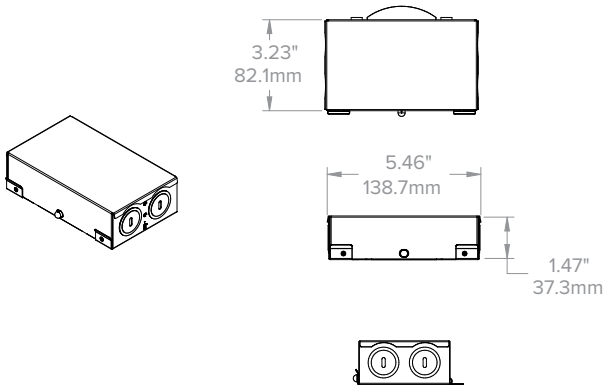
| Catalog Number | "A" Aperture Opening | "B" Overall Length | "C" Overall Width | "D" Height | "E" Pan Length | "F" Pan Width | "G" Aperture Center |
|----------------|----------------------|---------------------|---------------------|-------------------|---------------------|---------------------|---------------------|
| FRAME4R-HB | Ø 4.94" (125.5mm) | 17.65" (448.3mm) | 14.57" (370.1mm) | 1.68" (42.7mm) | 15.03" (381.8mm) | 12.28" (311.9mm) | 4.32" (109.7mm) |
| FRAME6R-HB | Ø 6.64" (168.7mm) | | | | | | |

For 8" Model:

| Catalog Number | "A" Aperture Opening | "B" Overall Length | "C" Overall Width | "D" Height | "E" Pan Length | "F" Pan Width | "G" Aperture Center |
|----------------|----------------------|---------------------|---------------------|-------------------|---------------------|---------------------|---------------------|
| FRAME8-HB | Ø 8.07" (205mm) | 17.65" (448.3mm) | 14.57" (370.1mm) | 1.68" (42.7mm) | 15.03" (381.8mm) | 12.99" (329.9mm) | 5.14" (130.6mm) |

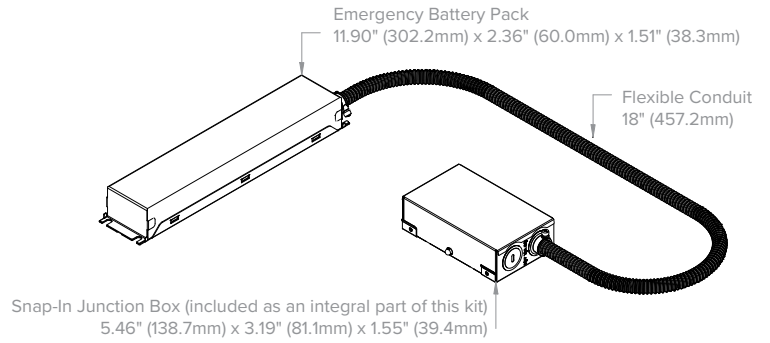
DIMENSIONS (CONTINUED)

SNAP-IN JUNCTION BOX ACCESSORY

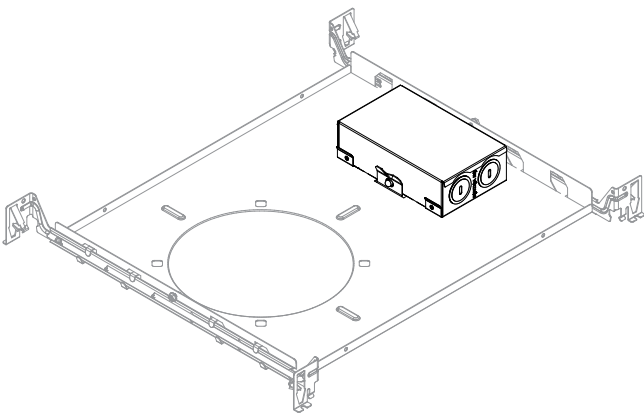


Snap-In Junction Box Accessory (J-BOX)
Optional if needed or required per local code

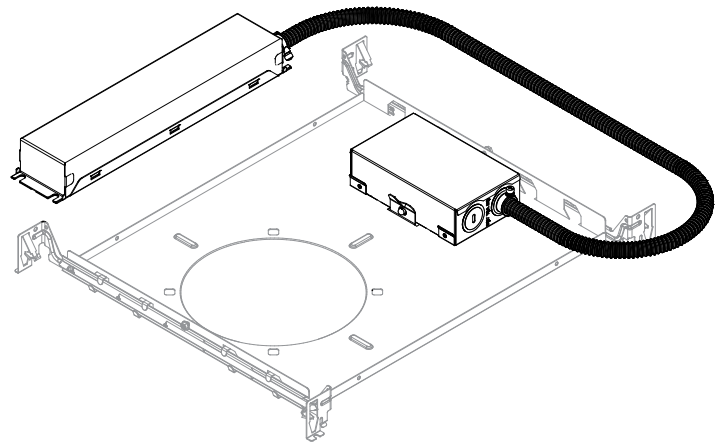
EMERGENCY BATTERY BACKUP KIT ACCESSORY



Emergency Battery Backup Accessory Kit (LDEMBBKIT)



Frame and Junction Box Example
FRAME6R-HB and J-BOX
(ordered separately)



Emergency Battery Backup and Frame Example
FRAME6R-HB and LDEMBBKIT
(ordered separately)

LBRST-RD

LIGHT COMMERCIAL DOWNLIGHT

PERFORMANCE DATA TABLE

| Nominal Aperture | Switchable Lumen Setting | Nominal Lumens | Cat # | CCT | CRI | Delivered Lumens | Watts | LPW |
|------------------|--------------------------|----------------|-------------------------|-----|------|------------------|-------|-----|
| 4" | Low | 750 | LBRST-4RD-M-LSSL-CS9-WH | 27K | 90 | 773 | 8.8W | 88 |
| | | | LBRST-4RD-M-LSSL-CS9-WH | 30K | | 780 | 8.8W | 89 |
| | | | LBRST-4RD-M-LSSL-CS9-WH | 35K | | 787 | 8.8W | 90 |
| | | | LBRST-4RD-M-LSSL-CS9-WH | 40K | | 795 | 8.7W | 92 |
| | | | LBRST-4RD-M-LSSL-CS9-WH | 50K | | 807 | 8.8W | 92 |
| | Med | 1100 | LBRST-4RD-M-LSSL-CS9-WH | 27K | | 1090 | 12.8W | 85 |
| | | | LBRST-4RD-M-LSSL-CS9-WH | 30K | | 1105 | 12.8W | 86 |
| | | | LBRST-4RD-M-LSSL-CS9-WH | 35K | | 1119 | 12.8W | 87 |
| | | | LBRST-4RD-M-LSSL-CS9-WH | 40K | | 1133 | 12.9W | 88 |
| | | | LBRST-4RD-M-LSSL-CS9-WH | 50K | | 1153 | 12.9W | 89 |
| | High | 1500 | LBRST-4RD-M-LSSL-CS9-WH | 27K | | 1521 | 18.9W | 80 |
| | | | LBRST-4RD-M-LSSL-CS9-WH | 30K | | 1539 | 19.1W | 81 |
| | | | LBRST-4RD-M-LSSL-CS9-WH | 35K | | 1560 | 19.1W | 82 |
| | | | LBRST-4RD-M-LSSL-CS9-WH | 40K | | 1572 | 19.1W | 83 |
| | | | LBRST-4RD-M-LSSL-CS9-WH | 50K | | 1583 | 19.1W | 83 |
| 6" | Low | 1100 | LBRST-6RD-M-LSML-CS9-WH | 27K | 1160 | 13.4W | 87 | |
| | | | LBRST-6RD-M-LSML-CS9-WH | 30K | 1183 | 13.4W | 89 | |
| | | | LBRST-6RD-M-LSML-CS9-WH | 35K | 1205 | 13.3W | 91 | |
| | | | LBRST-6RD-M-LSML-CS9-WH | 40K | 1227 | 13.3W | 92 | |
| | | | LBRST-6RD-M-LSML-CS9-WH | 50K | 1258 | 13.3W | 95 | |
| | Med | 1500 | LBRST-6RD-M-LSML-CS9-WH | 27K | 1470 | 17.4W | 84 | |
| | | | LBRST-6RD-M-LSML-CS9-WH | 30K | 1506 | 17.5W | 86 | |
| | | | LBRST-6RD-M-LSML-CS9-WH | 35K | 1540 | 17.5W | 88 | |
| | | | LBRST-6RD-M-LSML-CS9-WH | 40K | 1570 | 17.5W | 90 | |
| | | | LBRST-6RD-M-LSML-CS9-WH | 50K | 1613 | 17.5W | 92 | |
| | High | 2500 | LBRST-6RD-M-LSML-CS9-WH | 27K | 2351 | 30.8W | 76 | |
| | | | LBRST-6RD-M-LSML-CS9-WH | 30K | 2403 | 30.8W | 78 | |
| | | | LBRST-6RD-M-LSML-CS9-WH | 35K | 2455 | 30.7W | 80 | |
| | | | LBRST-6RD-M-LSML-CS9-WH | 40K | 2502 | 30.7W | 82 | |
| | | | LBRST-6RD-M-LSML-CS9-WH | 50K | 2543 | 30.5W | 83 | |
| 8" | Low | 3000 | LBRST-8RD-M-LSHL-CS9-WH | 27K | 3032 | 29.7W | 102 | |
| | | | LBRST-8RD-M-LSHL-CS9-WH | 30K | 3074 | 29.8W | 103 | |
| | | | LBRST-8RD-M-LSHL-CS9-WH | 35K | 3096 | 29.8W | 104 | |
| | | | LBRST-8RD-M-LSHL-CS9-WH | 40K | 3118 | 29.7W | 105 | |
| | | | LBRST-8RD-M-LSHL-CS9-WH | 50K | 3132 | 29.5W | 106 | |
| | Med | 4000 | LBRST-8RD-M-LSHL-CS9-WH | 27K | 3973 | 41.5W | 96 | |
| | | | LBRST-8RD-M-LSHL-CS9-WH | 30K | 4011 | 41.4W | 97 | |
| | | | LBRST-8RD-M-LSHL-CS9-WH | 35K | 4074 | 41.5W | 98 | |
| | | | LBRST-8RD-M-LSHL-CS9-WH | 40K | 4101 | 41.6W | 99 | |
| | | | LBRST-8RD-M-LSHL-CS9-WH | 50K | 4116 | 41.5W | 99 | |
| | High | 4600 | LBRST-8RD-M-LSHL-CS9-WH | 27K | 4477 | 48.7W | 92 | |
| | | | LBRST-8RD-M-LSHL-CS9-WH | 30K | 4527 | 48.6W | 93 | |
| | | | LBRST-8RD-M-LSHL-CS9-WH | 35K | 4568 | 48.5W | 94 | |
| | | | LBRST-8RD-M-LSHL-CS9-WH | 40K | 4596 | 48.4W | 95 | |
| | | | LBRST-8RD-M-LSHL-CS9-WH | 50K | 4611 | 48.2W | 96 | |

LBRST-RD

LIGHT COMMERCIAL DOWNLIGHT

PHOTOMETRY

LBRST-4RD-M-LSSL-CS9-WH

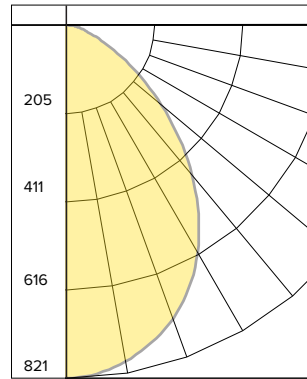
LUMINAIRE DATA

| | |
|-------------------|------------------------------|
| Test No | LBSTD230244NB-A-R22 |
| Description | 4" LBRST, High Lumen @ 3000K |
| Delivered Lumens | 1539 |
| Watts | 18.9W |
| Efficacy | 81.1 |
| Mounting | Recessed |
| Spacing Criterion | 1.14 |

ZONAL LUMEN SUMMARY

| Zone | Lumens | % Luminaire |
|-------|--------|-------------|
| 0-40 | 914 | 59.4 |
| 0-60 | 1383 | 89.9 |
| 0-90 | 1539 | 100.0 |
| 0-180 | 1539 | 100.0 |

POLAR GRAPH



CANDELA DISTRIBUTION

| Degree | Candela |
|--------|---------|
| 0 | 797 |
| 5 | 790 |
| 15 | 744 |
| 25 | 657 |
| 35 | 522 |
| 45 | 362 |
| 55 | 208 |
| 65 | 94 |
| 75 | 42 |
| 85 | 10 |

LUMINANCE DATA*

| Vertical Angle | Average |
|----------------|---------|
| 45° | 63029 |
| 55° | 44731 |
| 65° | 27368 |
| 75° | 19860 |
| 85° | 14525 |

*Candela/Square Meter

LBRST-6RD-M-LSML-CS9-WH

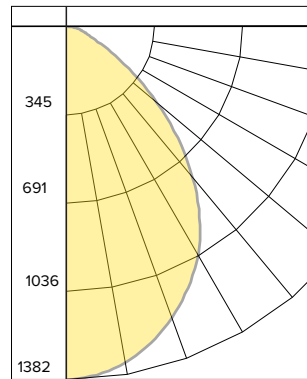
LUMINAIRE DATA

| | |
|-------------------|------------------------------|
| Test No | LBSTD230244NB-B-R22 |
| Description | 6" LBRST, High Lumen @ 3000K |
| Delivered Lumens | 2403 |
| Watts | 30.8W |
| Efficacy | 78.1 |
| Mounting | Recessed |
| Spacing Criterion | 1.14 |

ZONAL LUMEN SUMMARY

| Zone | Lumens | % Luminaire |
|-------|--------|-------------|
| 0-40 | 1464 | 60.9 |
| 0-60 | 2194 | 91.3 |
| 0-90 | 2403 | 100.0 |
| 0-180 | 2403 | 100.0 |

POLAR GRAPH



CANDELA DISTRIBUTION

| Degree | Candela |
|--------|---------|
| 0 | 1267 |
| 5 | 1255 |
| 15 | 1178 |
| 25 | 1037 |
| 35 | 840 |
| 45 | 571 |
| 55 | 298 |
| 65 | 117 |
| 75 | 58 |
| 85 | 15 |

LUMINANCE DATA*

| Vertical Angle | Average |
|----------------|---------|
| 45° | 44257 |
| 55° | 28493 |
| 65° | 15117 |
| 75° | 12283 |
| 85° | 9402 |

*Candela/Square Meter

LBRST-8RD-M-LSHL-CS9-WH

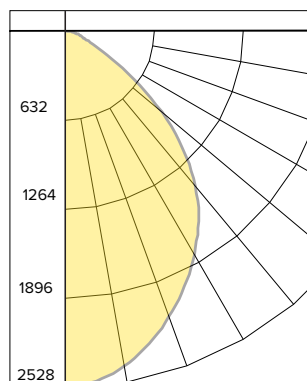
LUMINAIRE DATA

| | |
|-------------------|------------------------------|
| Test No | LBSTD230244NB-C-R22 |
| Description | 8" LBRST, High Lumen @ 3000K |
| Delivered Lumens | 4527 |
| Watts | 48.6W |
| Efficacy | 93.1 |
| Mounting | Recessed |
| Spacing Criterion | 1.12 |

ZONAL LUMEN SUMMARY

| Zone | Lumens | % Luminaire |
|-------|--------|-------------|
| 0-40 | 2753 | 60.8 |
| 0-60 | 4189 | 92.5 |
| 0-90 | 4527 | 100.0 |
| 0-180 | 4527 | 100.0 |

POLAR GRAPH



CANDELA DISTRIBUTION

| Degree | Candela |
|--------|---------|
| 0 | 2435 |
| 5 | 2407 |
| 15 | 2222 |
| 25 | 1940 |
| 35 | 1608 |
| 45 | 1156 |
| 55 | 600 |
| 65 | 198 |
| 75 | 92 |
| 85 | 24 |

LUMINANCE DATA*

| Vertical Angle | Average |
|----------------|---------|
| 45° | 50384 |
| 55° | 32245 |
| 65° | 14448 |
| 75° | 10910 |
| 85° | 8482 |

*Candela/Square Meter

ADDITIONAL INFORMATION

Dimming Compatibility

For more details and recommended dimmer list, see Dimming Compatibility Information on currentlighting.com/prescolite.