

# LBSE-RD

EDGE-LIT ROUND FIXED CCT DIRECT J-BOX MOUNT DOWNLIGHT



## FEATURES

- 4", 6", and 8" aperture, delivering 750-1750 lumens
- Low surface profile of 1/2"
- Quick snap installation with no housing required
- Installs directly to most 3-1/2" and 4" J-Boxes
- Fixed CCT (3000K or 3500K, 80+ CRI) options
- Universal 120-277V, ideal for commercial applications
- All models standard with 0-10V/Triac/ELV dimming



## SERVICE PROGRAMS



## SPECIFICATIONS

### CONSTRUCTION

- Durable cast aluminum low profile trim with 1/2" surface profile
- Suitable for New Construction or remodel, IC or Non-IC applications
- Eliminates the need for a recessed housing, ideal for areas with limited plenum space
- Optional non-conductive Decorative Color Trim accessories available in White, Black, Silver, and Brushed Oil Rubbed Bronze

### OPTICS

- Utilizes the latest Edge-Lit LED technology
- Integral diffuse polycarbonate lens provides uniform light distribution
- Light distribution is free of distracting bright spots
- Visually comfortable with low glare

### ELECTRICAL

- Edge-Lit LED array with 3 SDCM color consistency
- Long LED life: Maintains 80% of lumen output at 54,000 hours of operation, L80 at >54,000 hours (TM-21)
- Available in Fixed CCT in 3000K or 3500K, 80+ CRI
- High efficiency integral driver with universal 120V-277V, 50/60Hz

### ELECTRICAL (CONTINUED)

- All models have flicker-free dimming with 120-277V 0-10V Dim to Off or 120V Triac or ELV phase cut to 5%
- See Additional Information section for a list of recommended dimmers
- EMI: Meets Class A (<24dba) noise rating, FCC CFR 47 Part 15 Class B, ≥0.9 Power Factor, <20% THD

### INSTALLATION

- Installs directly to most common 3-1/2" or 4" octagonal and round junction boxes with a minimum 1-1/2" depth including fire rated (by others)
- Metal plate mounts to the J-Box and accepts snap-in spring clips for a secure fit

### CERTIFICATIONS

- cETLus listed to UL1598
- Can be used in direct contact with insulation (IC Rated)
- Suitable for wet locations, covered ceiling
- Suitable for use in clothes closets when installed in accordance to N.E.C. 410.16

### WARRANTY

- 5 year warranty

KEY DATA	
Lumen Range	783-1973
Wattage Range	10.4-20.0
Efficacy Range (LPW)	75-99
Reported Life (Hours)	L80 / >54,000
Input Current (mA)	87-167 (120V)

# LBSE-RD

EDGE-LIT ROUND FIXED CCT DIRECT J-BOX MOUNT DOWNLIGHT



## ORDERING GUIDE

Example: LBSE-4RD-35K8-WH

CATALOG #

### HOUSING

LBSE	Aperture/Shape/Function	CCT/CRI	Trim Color
<b>Model/CCT Configuration</b> LBSE Edge-Lit Surface, Fixed CCT, 120-277V with 0-10V/Triac/ELV dimming	<b>4RD</b> 4" Round, Direct J-Box Mount, 750 Lumens <b>6RD</b> 6" Round, Direct J-Box Mount, 1100 Lumens <b>8RD</b> 8" Round, Direct J-Box Mount, 1750 Lumens	<b>30K8</b> 3000K, 80+ CRI <b>35K8</b> 3500K, 80+ CRI	<b>WH</b> White

### Accessories

- LBSE-4RD-T-WH** Trim Accessory, 4" Round, White
- LBSE-4RD-T-BL** Trim Accessory, 4" Round, Black
- LBSE-4RD-T-BBZ** Trim Accessory, 4" Round, Brushed Oil Rubbed Bronze
- LBSE-4RD-T-SVR** Trim Accessory, 4" Round, Silver
  
- LBSE-6RD-T-WH** Trim Accessory, 6" Round, White
- LBSE-6RD-T-BL** Trim Accessory, 6" Round, Black
- LBSE-6RD-T-BBZ** Trim Accessory, 6" Round, Brushed Oil Rubbed Bronze
- LBSE-6RD-T-SVR** Trim Accessory, 6" Round, Silver
  
- LBSE-8RD-T-WH** Trim Accessory, 8" Round, White
- LBSE-8RD-T-BL** Trim Accessory, 8" Round, Black
- LBSE-8RD-T-BBZ** Trim Accessory, 8" Round, Brushed Oil Rubbed Bronze
- LBSE-8RD-T-SVR** Trim Accessory, 8" Round, Silver
  
- LBSES-C-12** Extension Cable, LBSE/LBSES, 12"
- LBSES-C-24** Extension Cable, LBSE/LBSES, 24"

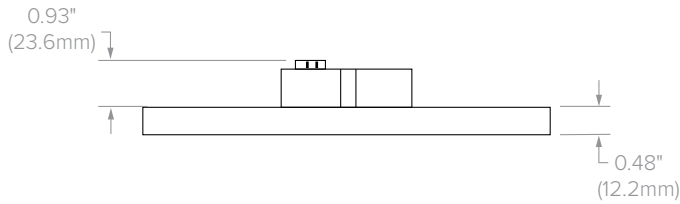
# LBSE-RD

EDGE-LIT ROUND FIXED CCT DIRECT J-BOX MOUNT DOWNLIGHT

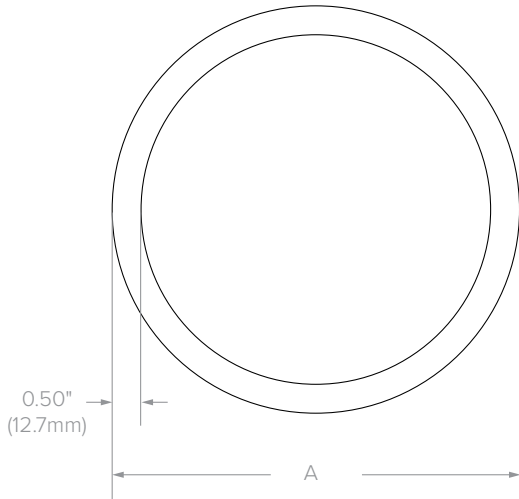
## PERFORMANCE DATA TABLE

Nominal Aperture	Nominal Lumens	Cat #	CCT	CRI	Delivered Lumens	Watts	LPW
4"	750	LBSE-4RD-30K8-WH	3000K	80	783	10.4	75
		LBSE-4RD-35K8-WH	3500K		846	10.4	81
6"	1100	LBSE-6RD-30K8-WH	3000K	80	1144	12.9	89
		LBSE-6RD-35K8-WH	3500K		1237	12.9	96
8"	1750	LBSE-8RD-30K8-WH	3000K	80	1825	20.0	91
		LBSE-8RD-35K8-WH	3500K		1973	20.0	99

## DIMENSIONS



Dimensional Data	
Aperture (Cat Logic)	"A"
4" (4RD)	ø4.61" (117.1mm)
6" (6RD)	ø6.00" (152.4mm)
8" (8RD)	ø8.00" (203.2mm)



# LBSE-RD

EDGE-LIT ROUND FIXED CCT DIRECT J-BOX MOUNT DOWNLIGHT

## PHOTOMETRY

### LBSE-4RD-30K8-WH

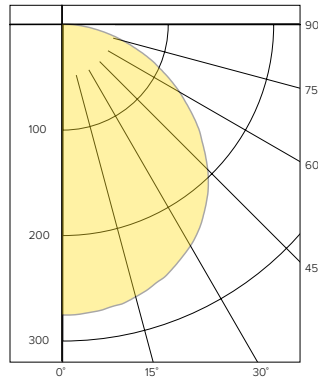
#### LUMINAIRE DATA

Test No.	R20.00827-01
Description	4" Downlight, 3000K, 80 CRI
Delivered Lumens	783
Watts	10.4W
Efficacy	75.0
Mounting	Surface
Spacing Criterion	1.3

#### ZONAL LUMEN SUMMARY

Zone	Lumens	% Luminaire
0-40	342	43.6
0-60	611	78.0
0-90	783	100.0
0-180	783	100.0

#### POLAR GRAPH



#### CANDELA DISTRIBUTION

Degree	Candela
0	260
5	259
15	253
25	239
35	217
45	184
55	142
65	98
75	55
85	15
90	0

#### LUMINANCE DATA\*

Vertical Angle	Average
45°	48544
55°	46342
65°	43318
75°	39448
85°	32315

\*Candela/Square Meter

### LBSE-6RD-30K8-WH

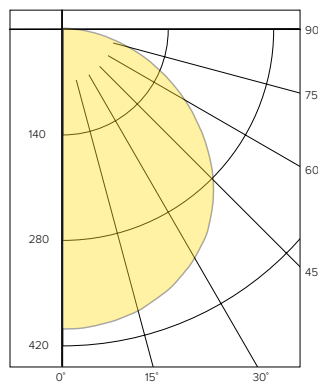
#### LUMINAIRE DATA

Test No.	R20.00832-01
Description	6" Downlight, 3000K, 80 CRI
Delivered Lumens	1144
Watts	12.9W
Efficacy	89
Mounting	Surface
Spacing Criterion	1.3

#### ZONAL LUMEN SUMMARY

Zone	Lumens	% Luminaire
0-40	499	43.6
0-60	891	77.9
0-90	1144	100.0
0-180	1144	100.0

#### POLAR GRAPH



#### CANDELA DISTRIBUTION

Degree	Candela
0	380
5	379
15	369
25	348
35	317
45	268
55	207
65	144
75	80
85	23
90	0

#### LUMINANCE DATA\*

Vertical Angle	Average
45°	23513
55°	22408
65°	21066
75°	19135
85°	16235

\*Candela/Square Meter

### LBSE-8RD-30K8-WH

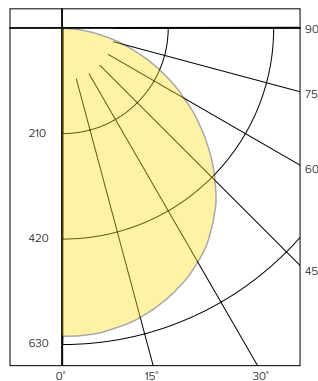
#### LUMINAIRE DATA

Test No.	R20.00834-01
Description	8" Downlight, 3000K, 80 CRI
Delivered Lumens	1826
Watts	20W
Efficacy	92
Mounting	Surface
Spacing Criterion	1.3

#### ZONAL LUMEN SUMMARY

Zone	Lumens	% Luminaire
0-40	798	43.7
0-60	1422	77.9
0-90	1826	100.0
0-180	1826	100.0

#### POLAR GRAPH



#### CANDELA DISTRIBUTION

Degree	Candela
0	608
5	607
15	592
25	558
35	505
45	427
55	331
65	228
75	127
85	38
90	0

#### LUMINANCE DATA\*

Vertical Angle	Average
45°	24287
55°	23187
65°	21736
75°	19752
85°	17413

\*Candela/Square Meter

# LBSE-RD

EDGE-LIT ROUND FIXED CCT DIRECT J-BOX MOUNT DOWNLIGHT

## ADDITIONAL INFORMATION

### Dimming Compatibility

For more details and recommended dimmer list, see Dimming Compatibility Information at [www.currentlighting.com/prescolite](http://www.currentlighting.com/prescolite).

### J-Box Compatibility

LITEBOX® Edge-Lit Direct J-Box Mount downlights are compatible with many standard 3-1/2" and 4" octagonal and round J-Boxes with a 1-1/2" minimum depth. Fire rated J-Boxes may also be used.

