

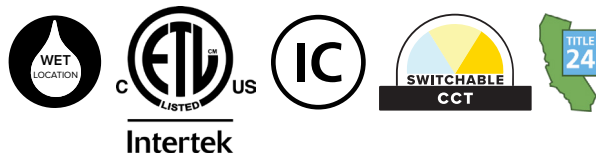
LBSSES-RD

EDGE-LIT ROUND SWITCHABLE CCT
DIRECT J-BOX MOUNT DOWNLIGHT



FEATURES

- 4", 6", and 8" aperture, delivering 750-1750 lumens
- Low surface profile of 1/2"
- Quick snap installation with no housing required
- Installs directly to most 3-1/2" and 4" J-Boxes
- CCT Switchable (2700K/3000K/3500K/4000K, 90+ CRI)
- Universal 120-277V, ideal for commercial applications
- All models standard with 0-10V/Triac/ELV dimming



SERVICE PROGRAMS



SPECIFICATIONS

CONSTRUCTION

- Durable cast aluminum low profile trim with 1/2" surface profile
- Suitable for New Construction or remodel, IC or Non-IC applications
- Eliminates the need for a recessed housing, ideal for areas with limited plenum space
- Optional non-conductive Decorative Color Trim accessories available in White, Black, Silver, and Brushed Oil Rubbed Bronze

OPTICS

- Utilizes the latest Edge-Lit LED technology
- Integral diffuse polycarbonate lens provides uniform light distribution
- Light distribution is free of distracting bright spots
- Visually comfortable with low glare

ELECTRICAL

- Edge-Lit LED array with 3 SDCM color consistency
- Long LED life: Maintains 80% of lumen output at 54,000 hours of operation, L80 at >54,000 hours (TM-21)
- CCT Switchable (2700K/3000K/3500K/4000K)
- 90+ CRI with R9 >50
- High efficiency integral driver with universal 120V-277V, 50/60Hz

ELECTRICAL (CONTINUED)

- All models have flicker-free dimming with 120-277V 0-10V Dim to Off or 120V Triac or ELV phase cut to 5%
- See Additional Information section for a list of recommended dimmers
- EMI: Meets Class A (<24dba) noise rating, FCC CFR 47 Part 15 Class B, ≥0.9 Power Factor, <20% THD

INSTALLATION

- Installs directly to most common 3-1/2" or 4" octagonal and round junction boxes with a minimum 1-1/2" depth including fire rated (by others)
- Metal plate mounts to the J-Box and accepts snap-in spring clips for a secure fit
- CCT Switchable Models: Field select one of four CCTs at installation with an integral switch accessible on the back of the driver

CERTIFICATIONS

- cETLus listed to UL1598
- Can be used in direct contact with insulation (IC Rated)
- Suitable for wet locations, covered ceiling
- Suitable for use in clothes closets when installed in accordance to N.E.C. 410.16
- Meets CA Title 24 High Efficacy (JA8 2019) requirements

WARRANTY

- 5 year warranty

KEY DATA	
Lumen Range	761-1754
Wattage Range	9.9-19.3
Efficacy Range (LPW)	77-91*
Reported Life (Hours)	L80 / >54,000
Input Current (mA)	83-161

*Based on 3000K, 90 CRI

LBSES-RD

EDGE-LIT ROUND SWITCHABLE CCT
DIRECT J-BOX MOUNT DOWNLIGHT



ORDERING GUIDE

Example: LBSES-4RD-CS9-WH

CATALOG #

HOUSING

LBSES	Aperture/Shape/Function	CCT/CRI	Trim Color
Model/CCT Configuration LBSES Edge-Lit Surface, Switchable CCT, 120-277V with 0-10V/Triac/ELV dimming	4RD 4" Round, Direct J-Box Mount, 750 Lumens 6RD 6" Round, Direct J-Box Mount, 1100 Lumens 8RD 8" Round, Direct J-Box Mount, 1750 Lumens	CS9 Switchable CCT, 90 CRI 2700K/3000K/3500K/4000K	WH White

Accessories

- LBSE-4RD-T-WH** Trim Accessory, 4" Round, White
- LBSE-4RD-T-BL** Trim Accessory, 4" Round, Black
- LBSE-4RD-T-BBZ** Trim Accessory, 4" Round, Brushed Oil Rubbed Bronze
- LBSE-4RD-T-SVR** Trim Accessory, 4" Round, Silver

- LBSE-6RD-T-WH** Trim Accessory, 6" Round, White
- LBSE-6RD-T-BL** Trim Accessory, 6" Round, Black
- LBSE-6RD-T-BBZ** Trim Accessory, 6" Round, Brushed Oil Rubbed Bronze
- LBSE-6RD-T-SVR** Trim Accessory, 6" Round, Silver

- LBSE-8RD-T-WH** Trim Accessory, 8" Round, White
- LBSE-8RD-T-BL** Trim Accessory, 8" Round, Black
- LBSE-8RD-T-BBZ** Trim Accessory, 8" Round, Brushed Oil Rubbed Bronze
- LBSE-8RD-T-SVR** Trim Accessory, 8" Round, Silver

- LBSES-C-12** Extension Cable, LBSE/LBSES, 12"
- LBSES-C-24** Extension Cable, LBSE/LBSES, 24"

LBSES-RD

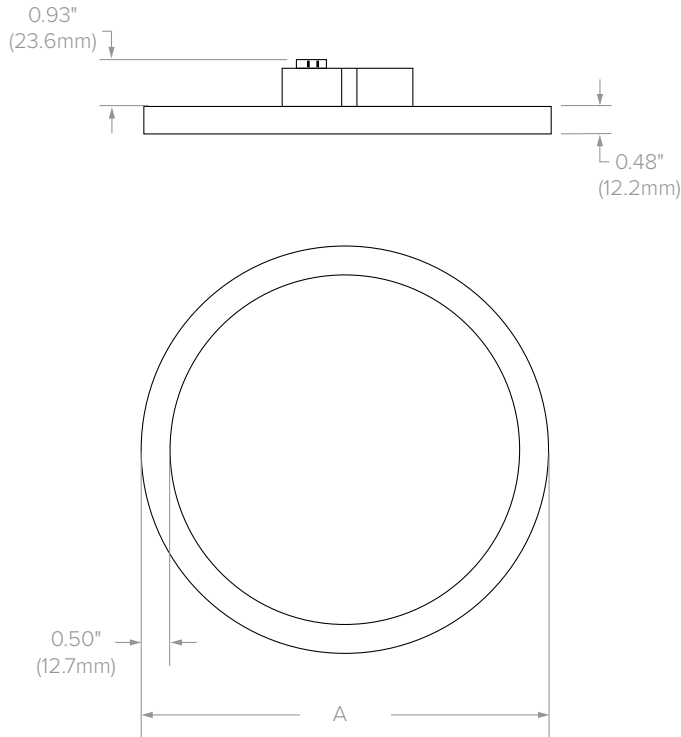
EDGE-LIT ROUND SWITCHABLE CCT
DIRECT J-BOX MOUNT DOWNLIGHT

PERFORMANCE DATA TABLE

Nominal Aperture	Nominal Lumens	Cat #	CCT**	CRI	Delivered Lumens	Watts	LPW
4"	750	LBSES-4RD-CS9-WH	3000K	90	761	9.9	77
6"	1100	LBSES-6RD-CS9-WH	3000K	90	1178	13.1	90
8"	1750	LBSES-8RD-CS9-WH	3000K	90	1754	19.3	91

** For all other CCTs, use the Lumen Multiplier in Photometry Section

DIMENSIONS



Dimensional Data	
Aperture (Cat Logic)	"A"
4" (4RD)	ø4.61" (117.1mm)
6" (6RD)	ø6.00" (152.4mm)
8" (8RD)	ø8.00" (203.2mm)

LBS-ES-RD

EDGE-LIT ROUND SWITCHABLE CCT
DIRECT J-BOX MOUNT DOWNLIGHT

PHOTOMETRY

LBS-ES-4RD-CS9-WH

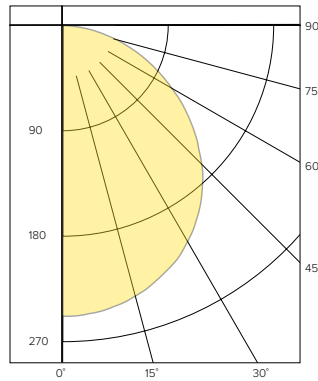
LUMINAIRE DATA

Test No.	20.00839
Description	4" Downlight, Color Switchable, 90 CRI
Delivered Lumens	760
Watts	10.4W
Efficacy	77
Mounting	Surface
Spacing Criterion	1.3

ZONAL LUMEN SUMMARY

Zone	Lumens	% Luminaire
0-40	338	44.5
0-60	597	78.6
0-90	760	100
0-180	760	100

POLAR GRAPH



CANDELA DISTRIBUTION

Degree	Candela
0	263
5	262
15	253
25	237
35	212
45	178
55	137
65	92
75	52
85	14
90	0

LUMINANCE DATA*

Vertical Angle	Average
45°	46986
55°	44478
65°	41179
75°	37441
85°	29499

*Candela/Square Meter

LBS-ES-6RD-CS9-WH

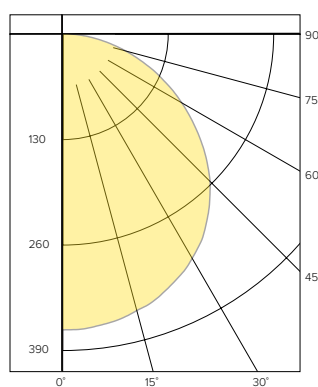
LUMINAIRE DATA

Test No.	20.00836
Description	6" Downlight, Color Switchable @3000K, 90 CRI
Delivered Lumens	1177
Watts	13.1W
Efficacy	90
Mounting	Surface
Spacing Criterion	1.3

ZONAL LUMEN SUMMARY

Zone	Lumens	% Luminaire
0-40	513	43.5
0-60	915	77.7
0-90	1177	100
0-180	1177	100

POLAR GRAPH



CANDELA DISTRIBUTION

Degree	Candela
0	393
5	392
15	380
25	358
35	325
45	275
55	213
65	147
75	84
85	25
90	0

LUMINANCE DATA*

Vertical Angle	Average
45°	30710
55°	29282
65°	27498
75°	25563
85°	22384

*Candela/Square Meter

LBS-ES-8RD-CS9-WH

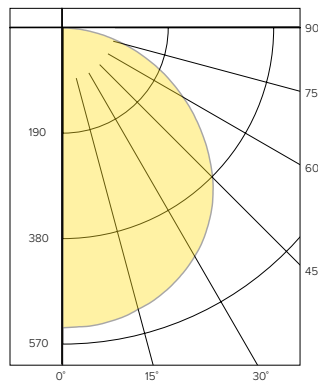
LUMINAIRE DATA

Test No.	20.00838
Description	8" Downlight, Color Switchable, @3000K, 90 CRI
Delivered Lumens	1754
Watts	19.3
Efficacy	91
Mounting	Surface
Spacing Criterion	1.3

ZONAL LUMEN SUMMARY

Zone	Lumens	% Luminaire
0-40	765	43.6
0-60	1365	78.0
0-90	1754	100
0-180	1754	100

POLAR GRAPH



CANDELA DISTRIBUTION

Degree	Candela
0	583
5	582
15	566
25	535
35	484
45	411
55	318
65	220
75	123
85	37
90	0

LUMINANCE DATA*

Vertical Angle	Average
45°	23365
55°	22285
65°	20987
75°	19150
85°	16960

*Candela/Square Meter

LUMEN MULTIPLIER

Option	27K, 90 CRI	30K, 90 CRI	35K, 90 CRI	40K, 90 CRI
Multiplier	0.92	1.00	1.08	1.04

Photometrics above are published at nominal 3000K, 90 CRI. This table may be used to approximate the lumen values at different Kelvin temperature settings. Power consumption remains the same.

LBSSES-RD

EDGE-LIT ROUND SWITCHABLE CCT
DIRECT J-BOX MOUNT DOWNLIGHT

DATE: _____ LOCATION: _____

TYPE: _____ PROJECT: _____

CATALOG #: _____

ADDITIONAL INFORMATION

Dimming Compatibility

For more details and recommended dimmer list, see Dimming Compatibility Information at www.currentlighting.com/prescolite.

J-Box Compatibility

LITEBOX® Edge-Lit Direct J-Box Mount downlights are compatible with many standard 3-1/2" and 4" octagonal and round J-Boxes with a 1-1/2" minimum depth. Fire rated J-Boxes may also be used.

