

LFCR-6SD-R

LITEFRAME COMMERCIAL 6" SQUARE
REMODEL DOWNLIGHT

DATE:	LOCATION:
TYPE:	PROJECT:
CATALOG #:	

LITEFRAME
Commercial



FEATURES

- 6" LED downlight delivering 500–5000 lumens
- Wide Beam Distribution (1.0 Spacing Criteria) Standard
- 2700K–5000K, 90+ CRI (2 SDCM)
- Dimming protocols include 0–10V, Phase, DMX, DALI
- NX Lighting Controls wired and wireless controls capability available
- TriGain® technology is standard and delivers 90 CRI (50+ R9) color rendition without efficacy compromise



SERVICE PROGRAMS
tradeSELECT® QS10

CONTROLS TECHNOLOGY



SPECIFICATIONS

CONSTRUCTION

- Fixture Module designed for non-IC, direct install construction
- Die cast aluminum fixture module with spring steel clips for secure mounting to ceiling
- Junction box allows for both installation and service from below ceiling
- Light engine connections use plenum rated (CMP) cable
- Quick disconnects standard for ease of installation

OPTICS

- High purity spun aluminum reflector, self-flanged
- 55° visual cutoff to source image and 55° cutoff to source
- Specular, semi-specular, or Softglow (diffuse) anodized finishes. White and black painted cone reflector colors also available.
- Painted flange options in white or black

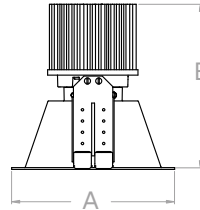
ELECTRICAL

- Chip-on-board LED with 2 SDCM
- TriGain® is a patented narrow-band potassium fluorosilicate (PFS) phosphor technology which provides improved color rendition without compromise to LED efficacy
- 2700K, 3000K, 3500K, 4000K, 5000K CCTs, 90+ CRI
- Long LED life: L80 / >66,000 (TM-21)
- Universal voltage 120–277V driver, 347V optional
- UL Class 2, inherent short circuit and overload protection
- Flicker-free dimming options in a wide range of protocols from 1% to <0.1% performance
- 0–10V, phase (forward/reverse) DMX, DALI, and Lutron options
- NX Lighting Controls provides options for standalone and networked functionality with wired or wireless connectivity for NX system deployments
- Integral and remote emergency battery options available

INSTALLATION

- Accommodates ceiling thickness from 0.50" to 3.00"
- Fixture module including driver fully accessible from above or below the ceiling

Typical Dimensions and Weights				
Lumen Package	Aperture Inches (mm)	"A" Diameter Inches (mm)	"B" Height Inches (mm)	Weight lbs (kg)
05L–15L	6.1 (154.7)	7.25 (184.2)	4.4 (111.8)	2.2 (1.0)
20L–30L			5.8 (147.3)	2.4 (1.1)
35L–50L			7.4 (188.0)	2.65 (1.2)



See DIMENSIONS section for complete details

CERTIFICATIONS

- cCSAus certified to UL 1598
- For 45L–50L: Marked spacing required (24" fixture center to center; 24" fixture center to building member; 0.5" above fixture)
- Downlight suitable for wet locations, covered ceiling. Wall wash suitable for damp locations
- White Cone (WC) and Black Cone (BC) square painted trim options are inherently non conductive
- EM/EMR: Certified under UL 924 standard for emergency lighting and power equipment
- EM/EMR: Emergency battery packs are California Energy Commission (CEC) Title 20 Compliant
- Approved for 8 (4 in/4 out) No. 12AWG conductors rated for 90°C through wiring

WARRANTY

- 5 year warranty

KEY DATA	
Lumen Range	500–5000
Wattage Range	5.9–52.1
Efficacy Range (LPW)	89–109
Reported Life (Hours)	L80 / >66,000

*Based on Specular, 35K, 90 CRI

LFCR-6SD-R

LITEFRAME COMMERCIAL 6" SQUARE
REMODEL DOWNLIGHT

ORDERING GUIDE

DATE: _____ LOCATION: _____

TYPE: _____ PROJECT: _____

CATALOG #: _____

Gray Shading = Service Program

tradeSELECT® QS10

Example: LFCR-6D-MR-10L35K9-WD-DM1 / LFCR-6SD-T-WD-S

CATALOG #

FIXTURE MODULE (Ships separately)

LFCR-6D-MR			9	WD				
Ap/Shp/Funct	Lumen Output	CCT	CRI	Distribution	Driver Options	Control Options	Module Options ²	
LFCR-6D-MR 6" Downlight Fixture Module, Remodel	05L 500	27K 2700K	9 90+	WD Wide (65° /1.0 SC)	120-277V Options	NX Lighting Controls	EM Emergency Battery Pack with Integral Test Switch	
	10L 1000	30K 3000K			DM1 0-10V Dimming to 1%	<u>Networked Wireless</u>	EMR Emergency Battery Pack with Remote Test Switch	
	15L 1500	35K 3500K			DM01 0-10V Dimming to < 1% ³	NXW NX Networked Wireless Radio Module NXRM2 and Bluetooth Programming, without Sensor ⁷	DTS Device Transfer Switch with Dimming Bypass ^{9,10}	
	20L 2000	40K 4000K			PDM Phase (Forward/Reverse) Dimming to 1% ⁴	<u>Networked Wired</u>	F Fuse	
	25L 2500	50K 5000K			DALI DALI Dimming to 1% ³	NXE NX Wired Dual RJ45 SmartPORTS, without Sensor ⁷	HA High Ambient Option (40°C) ^{11,12}	
	30L 3000				DM00 Lutron Athena Compatible Driver for static white CCT	Other Lighting Controls		
	35L 3500				DMX1 DMX with RDM dimming to 1%	<u>Networked Wireless</u>		
	40L 4000				347V Option	AWN Lutron Athena Enabled ⁸		
	45L 4500 ¹				DM34 0-10V Dimming to 1% (347V input) ^{5,6}			
	50L 5000 ¹							

TRIM (Ships separately)

LFCR-6SD-T						
Aperture/Shape/Function	Trim Distribution	Reflector Finish	Flange Color Options ¹⁵	Trim Options		
LFCR-6SD-T 6" Square Downlight Trim Assembly	WD Wide (1.0 SC) WW Wall Wash	<i>Do not specify reflector finish for SH Trim Style</i>	<i>Standard matches reflector color</i>	EM Pre-punched reflector for EM integral test switch and indicator		
		S Specular	WT White Flange	AM Antimicrobial Coating ^{13,14}		
		SS Semi-Specular	BT Black Flange			
		VS Softglow				
		WC Painted White Cone				
		BC Painted Black Cone				

Notes:

- 1 Lumen outputs 45L-50L require marked spacing with dims (24" x 24" x 1/2" above fixture)
- 2 Module options EM/EMR/DTS not available in combination
- 3 DM01 & DALI available 05L-45L
- 4 PDM available 10L-45L
- 5 DM34 available 05L-35L
- 6 DM34 not available with EM, EMR, DTS, or F fixture module options
- 7 NXW/NXE control options require DM1 or DM34 driver option
- 8 AAWN control option requires DM00 driver option (DM00 only available in combination with AAWN)
- 9 Consult factory for DTS with control options
- 10 DTS requires driver options DM1, DM01 or DALI
- 11 HA option available 05L-25L
- 12 HA not available with IC or CP Options
- 13 AM available with WC or Specular Clear (S or SWT)
- 14 AM not available with WW or EM
- 15 WT not available for WC, BT not available for BC



Accessories

- LF-MOR6-SQ-WH** Metal Oversized Ring, 6" Square, White (10.25" outside dimension)

LFCR-6SD-R

LITEFRAME COMMERCIAL 6" SQUARE
REMODEL DOWNLIGHT

NX LIGHTING CONTROLS

Control Option Ordering Logic & Description			Control Option Functionality								Control Option Components	
			Networkable	Grouping	Scheduling	Occupancy/Motion	Daylight Harvesting	0-10V Dimming	On/Off Control	Bluetooth App Programming		
NX Wireless	NXW	NX Networked Wireless Radio Module NXRM2 and Bluetooth® Programming, without Sensor	✓	✓	✓	-	-	✓	✓	✓		NXRM2-H
NX Wired	NXE	NX Wired Dual RJ45 SmartPORTS, without Sensor	✓	✓	✓	-	-	✓	✓	✓ ¹		NXFSP

¹ Requires NXBTC, order separately.

NX LIGHTING CONTROLS APP



The NX Lighting Controls App is a free to use mobile application for programming both an NX Lighting Controls System or Standalone Bluetooth® Sensors. The mobile app allows you to configure devices, discover and setup wireless enabled luminaires and program your NX system settings.




Android



Apple iOS

OTHER LIGHTING CONTROLS

Control Option Ordering Logic & Description			Control Option Functionality								Control Option Components	
			Networkable	Grouping	Scheduling	Occupancy/Motion	Daylight Harvesting	0-10V Dimming	On/Off Control	Bluetooth App Programming		
Other	AWN	The Athena wireless node is a radio frequency (RF) device that enables simple, digital control of individual light fixtures in an Athena control system. ¹	✓	✓	-	-	-	✓	✓	-		A-WN-D01-RF-WH

¹ Lutron Athena Hub required to enable Networking, Grouping and Scheduling.

LFCR-6SD-R

LITEFRAME COMMERCIAL 6" SQUARE
REMODEL DOWNLIGHT

PERFORMANCE DATA TABLE

Performance Data shown is 3500K 90+ CRI with Specular reflector.

Lumen Package	Nominal Lumens	Distribution	Delivered Lumens	Watts	LPW
05L	500	Wide	528	5.9	90
		Wall Wash	568	5.9	96
10L	1000	Wide	1016	11.2	91
		Wall Wash	1092	11.2	98
15L	1500	Wide	1467	15.2	96
		Wall Wash	1577	15.2	104
20L	2000	Wide	1946	21.6	90
		Wall Wash	2092	21.8	96
25L	2500	Wide	2444	24.1	101
		Wall Wash	2627	24.1	109
30L	3000	Wide	2930	29.8	98
		Wall Wash	3149	29.8	106
35L	3500	Wide	3441	36.8	94
		Wall Wash	3700	36.8	101
40L	4000	Wide	3878	41.6	93
		Wall Wash	4169	41.6	100
45L	4500	Wide	4368	45.3	96
		Wall Wash	4696	45.3	104
50L	5000	Wide	4846	52.1	93
		Wall Wash	5209	52.1	100

LUMEN MULTIPLIER

Option	27K9	30K9	35K9	40K9	50K9
Multiplier	0.95	0.99	1.00	1.00	1.00

Photometrics are published below at a nominal 3500 Kelvin, 90+ CRI. This table may be used to approximate the lumen values at different Kelvin temperatures. Power consumption would stay the same.

REFLECTOR FINISH & COLOR MULTIPLIER

Option	Specular (S)	Semi-Specular (SS)	Soft Glow (VS)	White Cone (WC)	Black Cone (BC)
Multiplier	1.00	1.00	0.89	0.98	0.44

LFCR-6SD-R

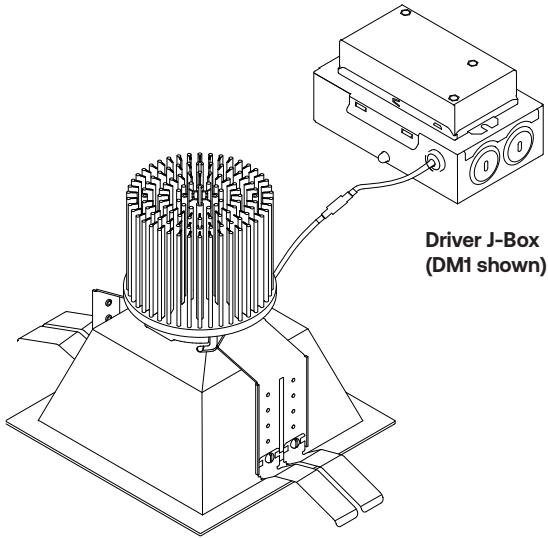
LITEFRAME COMMERCIAL 6" SQUARE
REMODEL DOWNLIGHT

DIMENSIONS

LFCR-6D-MR

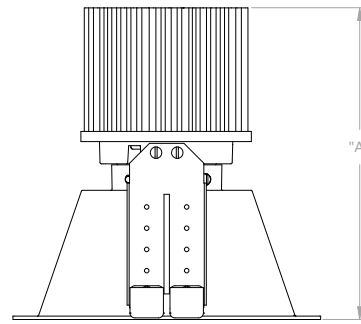
Fixture Module consists of Light Engine and Driver J-Box assemblies.
Overall dimensions for each are dependent upon configuration selected.
See the following pages for details.

DATE:	LOCATION:
TYPE:	PROJECT:
CATALOG #:	



Driver J-Box
(DM1 shown)

Light Engine
with Trim assembly installed

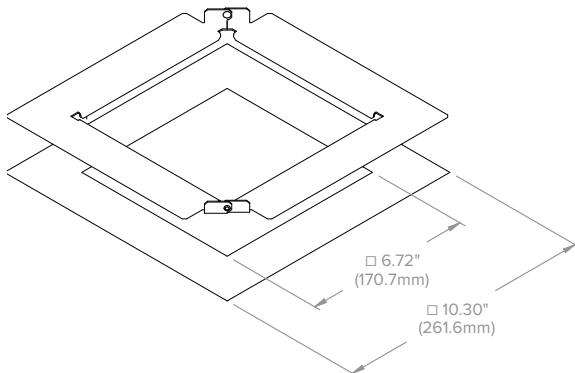


Side View Standard

DIMENSIONAL DATA	
Aperture	6.00" (152.4mm) SQ.
Overall Width (Flange To Flange)	7.25" (184.2mm) SQ.
Flange Width	0.63" (16mm)
Ceiling Cutout	6.70" (170mm) SQ.
Ceiling Thickness	0.50"-3.00" (13-76mm)

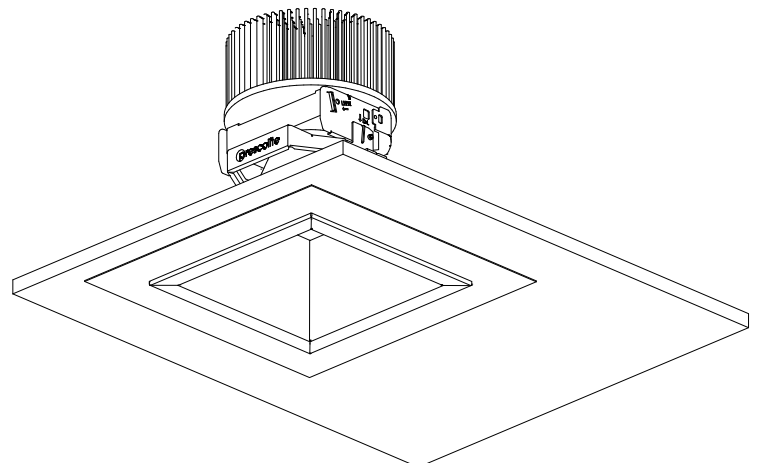
OVERALL LIGHT ENGINE HEIGHT * (All Lumen Outputs)	
Lumen Package	Height ("A")
05L-15L	4.40" (111.8mm)
20L-30L	5.80" (147.3mm)
35L-50L	7.40" (188.0mm)

* Note: Add 1/2" minimum plenum clearance above overall Light Engine Height.
** For 45L-50L: Marked spacing required 24" fixture center to center;
24" fixture center to building member; 0.5" above fixture.
*** Non-IC rating requires 3" from insulation and combustible materials.



LF-MOR6-SQ
METAL OVERSIZED RING

(See LF-MOR Installation Instruction for more details)



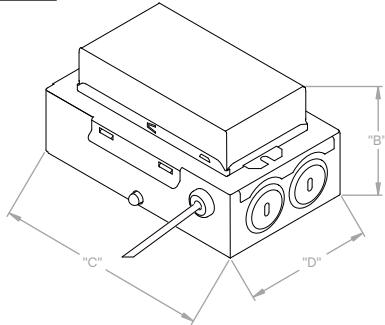
LFCR-6SD-R

LITEFRAME COMMERCIAL 6" SQUARE
REMODEL DOWNLIGHT

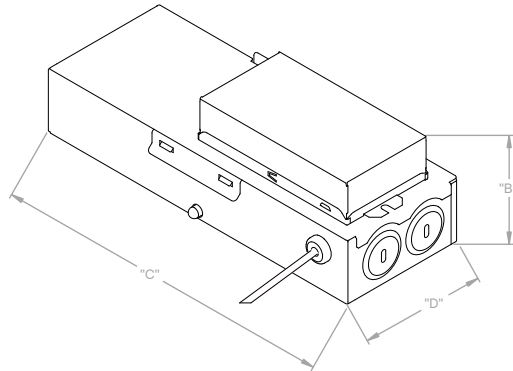
DIMENSIONS CONTINUED

DATE: _____ LOCATION: _____
 TYPE: _____ PROJECT: _____
 CATALOG #: _____

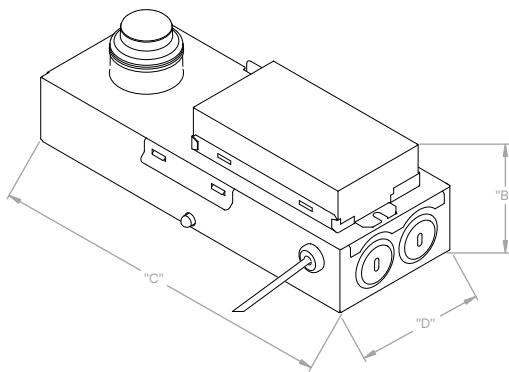
DRIVER J-BOX



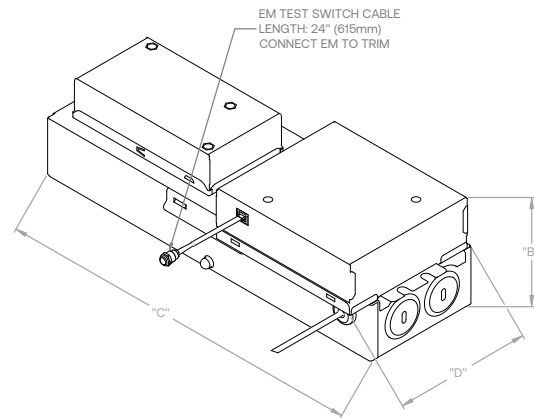
DM1 / DM01 / DALI / PDM / DM34



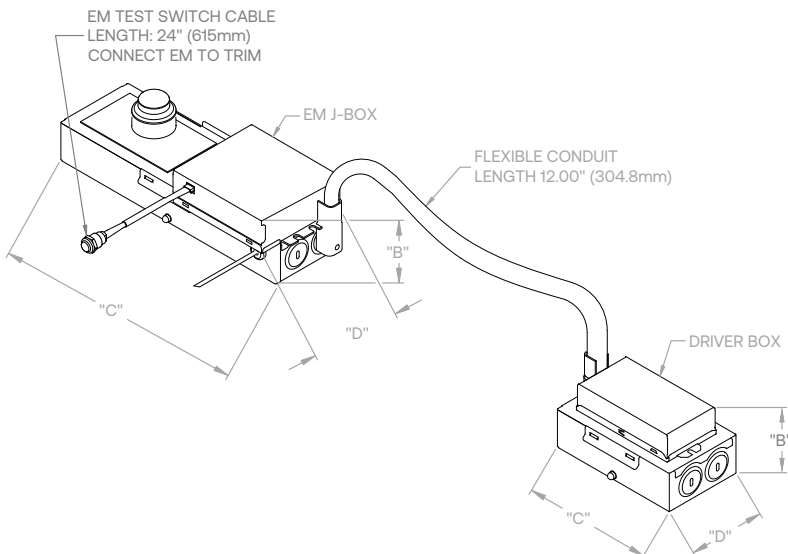
DMX1 / DTS



NX* / AWRN CONTROLS OPTION



DM1 / DM01 / DALI / PDM / DMX1 + EM/EMR



NX* / AWRN CONTROLS + EM/EMR OPTIONS

EM/EMR Driver J-Box Conduit (provided) connects to Driver J-Box
(see Driver J-Box for additional details)

OVERALL DRIVER J-BOX DIMENSIONS (ALL LUMEN OUTPUTS)				
Driver/Controls Options	"B" (Height)	"C" (Length)	"D" (Width)	Minimum J-Box Plenum Clearance
DM1 / DM01 / DALI / PDM	2.7" (68.6mm)	5.5" (139.7mm)	3.3" (83.8mm)	3.5" (88.9mm)
DMX1 / DTS	2.7" (68.6mm)	8.9" (226.1mm)	3.3" (83.8mm)	5.25" (133.4mm)
NX* / AWRN	2.7" (68.6mm)	8.9" (226.1mm)	3.3" (83.8mm)	5.25" (133.4mm)
EM/EMR	3.0" (76.2mm)	10.5" (266.7mm)	3.7" (94mm)	7.5" (32.9mm)
EM/EMR + NX* / AWRN	EM J-Box	3.0" (76.2mm)	10.5" (266.7mm)	3.7" (94mm)
	Driver Box	2.7" (68.6mm)	5.5" (139.7mm)	3.3" (83.8mm)

LFCR-6SD-R

LITEFRAME COMMERCIAL 6" SQUARE
REMODEL DOWNLIGHT

PHOTOMETRY

LFCR-6D-MN-20L35K9-WD-DM1 / LFCR-6SD-T-WD-S

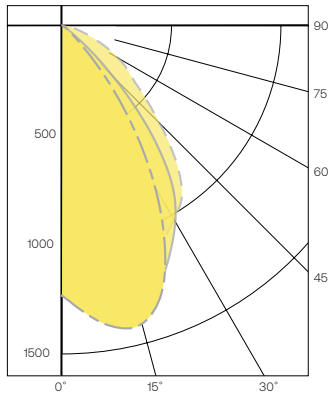
LUMINAIRE DATA

Test No.	P26.00091
Description	2000 lm, Wide, 3500K, 90 CRI
Delivered Lumens	2092
Watts	21.8W
Efficacy	95.9
Mounting	Recessed
Spacing Criterion	1.2
Beam Angle (FWHM)	77

ZONAL LUMEN SUMMARY

Zone	Lumens	% Luminaire
0-40	1764	83.4
0-60	2051	97.0
0-90	2114	100.0
0-180	2114	100.0

POLAR GRAPH



CANDELA DISTRIBUTION

Degree	Candela
0	1576
5	1444
15	1324
25	1078
35	755
45	420
55	234
65	134
75	51
85	6
90	0

LUMINANCE DATA*

Vertical Angle	Average
45°	32562
55°	22365
65°	17382
75°	10802
85°	3774

*Candela/Square Meter

LFCR-6RD-H / LFCR-6D-MN-20L35K9-WD-DM1 / LFCR-6RD-T-WW-S

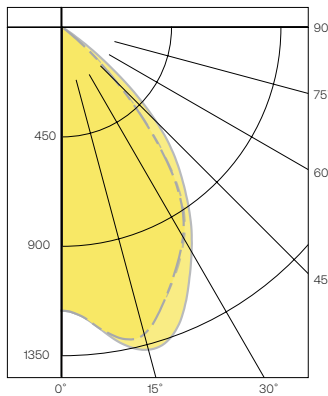
LUMINAIRE DATA

Test No.	P26.00015
Description	2000 lm, Wall Wash, 3500K, 90 CRI
Delivered Lumens	2114
Watts	21.8W
Efficacy	96.8
Mounting	Recessed
Spacing Criterion	N/A
Beam Angle (FWHM)	N/A

ZONAL LUMEN SUMMARY

Zone	Lumens	% Luminaire
0-40	1591	76.0
0-60	2030	97.0
0-90	2092	100.0
0-180	2092	100.0

POLAR GRAPH



CANDELA DISTRIBUTION

Degree	Candela
0	1236
5	1198
15	1202
25	1090
35	954
45	679
55	226
65	49
75	10
85	1
90	0

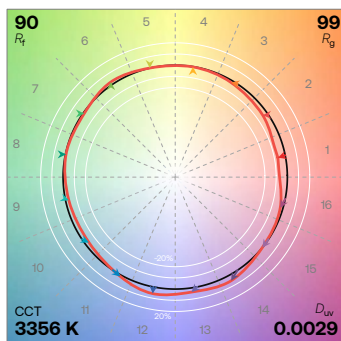
LUMINANCE DATA*

Vertical Angle	Average
45°	1057
55°	1591
65°	2030
75°	2092
85°	0

*Candela/Square Meter

TM-30 DATA

COLOR VECTOR GRAPHIC
3500K, 90 CRI



— Reference Illuminant — Test Source

LFCR-6SD-R

LITEFRAME COMMERCIAL 6" SQUARE
REMODEL DOWNLIGHT

ELECTRICAL DATA

DRIVER DATA		
Input Voltage	120-277 V	347 V
Input Frequency	50/60 Hz	50/60 Hz
Power Factor	≥0.90	≥0.90
THD	<20%	<20%
EMI Filtering (FCC 47 CFR Part 15)	Class A	Class A

* Values for DM1 option shown, values for other dimming options may vary.

ADDITIONAL INFORMATION

Dimming Compatibility

For more details and recommended dimmer list, see Dimming Compatibility Information on currentlighting.com/prescolite.

DMX

See instruction sheet on currentlighting.com/prescolite for connection & installation information.

Central Inverters

For full fixture output in back-up mode, we recommend you visit currentlighting.com/dual-lite.com for your Central Lighting Inverter options. Please contact your local Current representative for any assistance with proper sizing and loading of your inverter selection. Central lighting inverters must be ordered separately.

Lumen Output in Emergency Mode

To determine the lumen output in emergency mode, multiply the battery pack wattage by the fixture lumens per watt (LPW). For example, 10W x 120 LPW = 1200 lumens in emergency mode.