

LITEFRAME<sup>™</sup>  
2.0

**FEATURES**

- 4" LED lensed wall wash delivering 1000–6000 lumens
- Direct Install from below ceiling for New Construction or Remodel applications
- Optional housing accessories available
- Provides smooth, uniform illumination
- 2700K–5000K, 80+ and 90+ CRI (2 SDCM)
- Dimming protocols include 0–10V, Phase (Forward/Reverse), DALI, DMX, and Lutron EcoSystem
- NX Lighting Controls wired and wireless controls capability available



**SERVICE PROGRAMS**



**CONTROLS TECHNOLOGY**



**SPECIFICATIONS**

**CONSTRUCTION**

- Standard Fixture Module designed for Non-IC, Direct Install construction
- Optional Non-IC frame or IC housing available with pre-installed bar hangers
- Die cast aluminum fixture module support ring with spring steel clips for secure mounting to ceiling
- Driver J-Box can be installed and accessed from below the ceiling as direct install or easily snap on to optional housing frame/enclosure
- Light Engine connections use plenum rated (CMP) cable

**OPTICS**

- Tempered Glass Lens Standard
- Provides uniform light distribution down the wall
- High purity, four panel aluminum reflector, self-flanged
- Specular or Semi-Specular anodized or White painted cone reflector finish/colors
- Painted flange options in White or Black

**ELECTRICAL**

- Chip-on-board LED with 2 SDCM
- Multiple CCTs, 80+ or 90+ CRI
- Long LED life: L90 at >50,000 hours (TM-21)
- Universal voltage 120–277V driver, 347V optional
- UL Class 2, inherent short circuit and overload protection
- Flicker-free dimming options in a wide range of protocols from 1% to <0.1% performance
- 0–10V, Phase (Forward/Reverse), DALI, DMX, and Lutron EcoSystem options
- NX Lighting Controls provides options for standalone and networked functionality with wired or wireless connectivity for NX system deployments
- Remote emergency battery option available

**INSTALLATION**

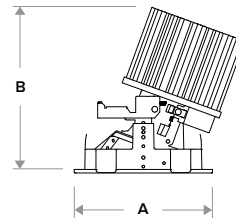
- Accommodates ceiling thickness from 0.50" to 1.25"
- Fixture Module including driver fully accessible from above or below the ceiling
- 10L Fixture Modules are inherently protected IC without the use of IC housing enclosure. (IC housing is still recommended when using loose-fill or spray foam insulation types.)

**CERTIFICATIONS**

- cCSAus certified to UL 1598
- For ≥50L: Marked spacing required 36" fixture center to center; 18" fixture center to building member; 0.5" above fixture
- Suitable for wet locations, covered ceiling
- EMR: Certified under UL 924 standard for emergency lighting and power equipment
- EMR: Emergency battery packs are California Energy Commission (CEC) Title 20 Compliant
- Approved for 8 (4 in/4 out) No. 12AWG conductors rated for 90°C through wiring

**WARRANTY**

- 5 year warranty



Typical Dimensions and Weights			
Lumen Package	"A" Width Inches (mm)	"B" Height Inches (mm)	Weight lbs (kg)
10L - 30L	5.38 (137)	4.81 (122)	3.8 (1.7)
35L - 60L	5.38 (137)	6.29 (160)	4.01 (1.8)

See DIMENSIONS section for complete details

KEY DATA	
Lumen Range	1000–6000
Wattage Range	8–54
Efficacy Range (LPW)	91–108
Reported Life (Hours)	L90 / >50,000
Input Current (mA)	66–450 (120V)

\*Based on Specular, 35K, 80 CRI

# LFR-4SQW

LITEFRAME 4" SQUARE LENSED WALL WASH

DATE: \_\_\_\_\_ LOCATION: \_\_\_\_\_

TYPE: \_\_\_\_\_ PROJECT: \_\_\_\_\_

CATALOG #: \_\_\_\_\_

Gray Shading = Service Program



## ORDERING GUIDE

Example: LFR-4SQW-M-10L35K8-LWW-DM1 / LFR-4SQW-T-LWW-S / LFR-4SQD-H

CATALOG # \_\_\_\_\_

### FIXTURE MODULE

LFR-4SQW-M	Lumen Output		CCT		CRI		Distribution	Driver Options	Control Options	Voltage	Module Options	
Ap/Shp/Funct												
<b>LFR-4SQW-M</b> 4" Square Lensed Wall Wash Fixture Module for Direct Install  <i>(Non-IC frame or IC housing available under Housing Options below)</i>	10L	1000	27K	2700K	8	80+	LWW Lensed Wall Wash	DM1	0-10V Dimming to 1%	<b>NX Lighting Controls</b>  Networked Wireless	Standard 120-277V  34 347V <sup>4</sup>	<b>CP</b> Chicago Plenum <sup>5,6</sup>  <b>EMR</b> 6W Emergency Battery Pack (CEC Title 20 Compliant) with remote test switch and indicator light <sup>6</sup>  <b>DTS</b> Device Transfer Switch with Dimming Bypass <sup>6,7</sup>
	15L	1500	30K	3000K	9	90+		DMO1	0-10V Dimming to < 1% <sup>2</sup>			
	20L	2000	35K	3500K				PDM	Phase (Forward/Reverse) Dimming to 1% <sup>2</sup>	<b>NXW</b> NX Networked Wireless Radio Module NXRM2 and Bluetooth Programming, without Sensor <sup>3</sup>		
	25L	2500	40K	4000K				DMX	DMX with RDM dimming to < 0.1% <sup>2</sup>			
	30L	3000	50K	5000K				DALI	DALI Dimming to 1% <sup>2</sup>	<b>Networked Wired</b>  <b>NXE</b> NX Wired Dual RJ45 SmartPORTS, without Sensor <sup>3</sup>		
	35L	3500						EDM	Lutron Hi-Lume EcoSystem Dimming to 1% <sup>2</sup>			
	40L	4000										
	50L	5000 <sup>1</sup>										
60L	6000 <sup>1</sup>											

### TRIM (Ships separately)

LFR-4SQW-T	Distribution	Reflector Finish/Color	Flange Color Options	Lower Trim Options
Aperture/Shape/Function				
LFR-4SQW-T 4" Square Lensed Wall Wash Trim Assembly	LWW Lensed Wall Wash	<b>S</b> Specular <b>SS</b> Semi-Specular <b>WC</b> Painted White Cone and Flange	Standard matches reflector color  <b>WT</b> White Flange <sup>8</sup> <b>BT</b> Black Flange	<b>FM</b> Flush Mount Flange <sup>11</sup>

### HOUSING OPTIONS (Ships separately)

Aperture/Shape/Function	
<input type="checkbox"/> LFR-4SQD-H 4" Housing Frame, New Construction, Non-IC	
<input type="checkbox"/> LFR-4SQD-H-IC 4" Housing Enclosure, New Construction, IC Rated <sup>7,8</sup>	



#### Accessories

- LiteGear** LiteGear® Inverter, 125VA-250VA
- LPS Series** LightPower Micro-Inverter, 20VA-55VA
- LF-FMR4-SQ** Flush Mount Mud-in Ring, 4" Square<sup>11</sup>
- LF-MOR4-SQ-WH** Metal Oversized Ring, 4" Square, White (8.3" outside dimension)

#### Notes:

- 1 50L and 60L require marked spacing. See line art for more details.
- 2 DMO1, PDM, DMX, DALI available up to 50L. EDM available 15L-40L.
- 3 NX requires DM1 driver option.
- 4 347V requires DM1 driver option; available 10L-40L; not available with Controls, DTS, EMR.
- 5 CP not available with PDM, DMX, or Controls.
- 6 Module options not available in combination.
- 7 DTS available with DM1, DMO1, or DALI.
- 8 WT not needed for WC.
- 9 IC available up to 35L; 10L Fixture Modules are inherently protected IC without the use of IC housing enclosure. (IC housing is still recommended when using loose-fill or spray foam types.)
- 10 IC Housing not for use in combination with Controls or with Module Options CP, EMR, DTS.
- 11 Flush Mount Flange requires FMR accessory.

**NX LIGHTING CONTROLS**

Control Option Ordering Logic & Description			Control Option Functionality								Control Option Components	
			Networkable	Grouping	Scheduling	Occupancy/Motion	Daylight Harvesting	0-10V Dimming	On/Off Control	Bluetooth App Programming		
NX Wireless	NXW	NX Networked Wireless Radio Module NXRM2 and Bluetooth Programming, without Sensor	✓	✓	✓	-	-	✓	✓	✓		NXRM2-H
NX Wired	NXE	NX Wired Dual RJ45 SmartPORTS, without Sensor	✓	✓	✓	-	-	✓	✓	✓ <sup>1</sup>		NXDSP

<sup>1</sup> Requires NXBTC, order separately.

**NX LIGHTING CONTROLS APP**



The NX Lighting Controls App is a free to use mobile application for programming both an NX Lighting Controls System or Standalone Bluetooth Sensors. The mobile app allows you to configure devices, discover and setup wireless enabled luminaires and program your NX system settings.



Android



Apple iOS

**PERFORMANCE DATA TABLE**

Performance data provided below is for 3500K, 80 CRI with Specular Clear reflector

Lumen Package	Nominal Lumens	Distribution	Delivered Lumens	Watts	LPW
10L	1000	Lensed WW	879	7.7	115
15L	1500		1321	11.7	113
20L	2000		1693	14.9	114
25L	2500		2167	20.3	107
30L	3000		2616	25.6	102
35L	3500		3167	29.2	108
40L	4000		3509	32.9	107
50L	5000		4333	42.8	101
60L	6000		5110	53.3	96

# LFR-4SQW

LITEFRAME 4" SQUARE LENSED WALL WASH

DATE: \_\_\_\_\_ LOCATION: \_\_\_\_\_

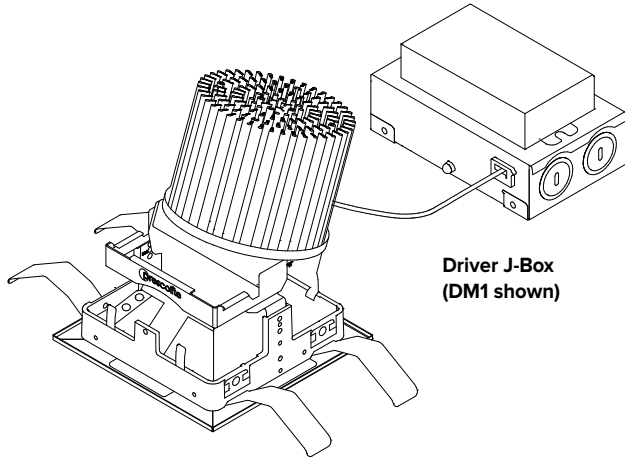
TYPE: \_\_\_\_\_ PROJECT: \_\_\_\_\_

CATALOG #: \_\_\_\_\_

## DIMENSIONS

### LFR-4SQW-M

Fixture Module consists of Light Engine and Driver J-Box assemblies.  
Overall dimensions for each are dependent upon configuration selected.  
See the following pages for details.



**Light Engine  
with Trim assembly installed**

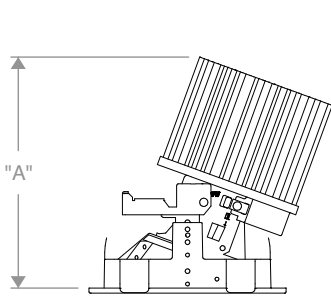
**Driver J-Box  
(DM1 shown)**

DIMENSIONAL DATA		
APERTURE		□ 4.00" (101.6mm)
FLANGE WIDTH	Standard	0.69" (17.5mm)
	Flush Mount	0.18" (4.6mm)
FLANGE TO FLANGE	Standard	□ 5.38" (136.7mm)
	Flush Mount	□ 4.37" (111.0mm)
CEILING CUTOUT	Standard	□ 4.75" (120.7mm)
	Flush Mount	□ 4.88" (123.9mm)
CEILING THICKNESS		0.50"–2.50" (12.7–63.5mm)

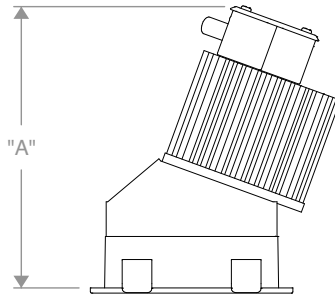
### LFR-4SQW LIGHT ENGINE

OVERALL LIGHT ENGINE HEIGHT "A" *		
LUMEN PACKAGE	FIXTURE MODULE	BEAM DISTRIBUTION
		LWW
10L–30L	STANDARD	4.81" (122.2mm)
	CP	5.99" (152.1mm)
35L–60L	STANDARD	6.29" (159.8mm)
	CP	7.47" (189.8mm)

\* Note: Add 1/2" minimum plenum clearance above overall Light Engine Height.  
\*\* For ≥50L: Marked spacing required 36" fixture center to center, 18" fixture center to building member; 0.5" above fixture.  
\*\*\* Non-IC rating requires 3" from insulation and combustible materials.



**Side View Standard**



**Side View CP – Chicago Plenum**

# LFR-4SQW

LITEFRAME 4" SQUARE LENSED WALL WASH

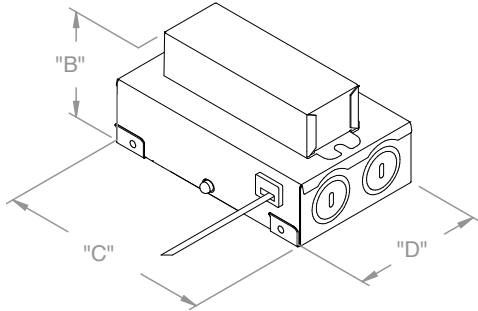
DATE: \_\_\_\_\_ LOCATION: \_\_\_\_\_

TYPE: \_\_\_\_\_ PROJECT: \_\_\_\_\_

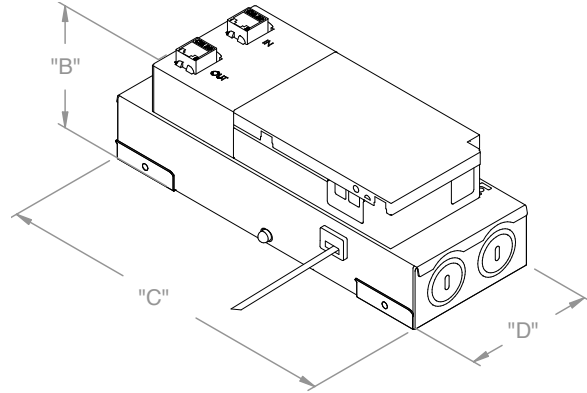
CATALOG #: \_\_\_\_\_

## DIMENSIONS CONTINUED

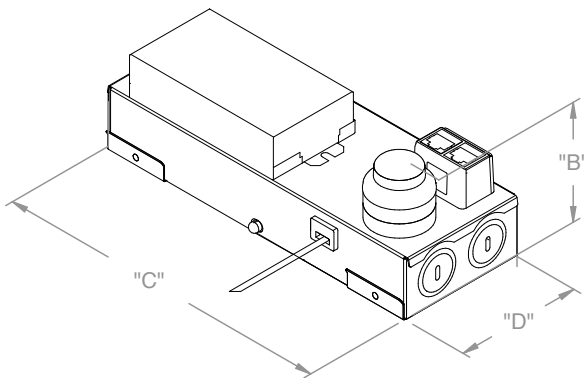
### DRIVER J-BOX



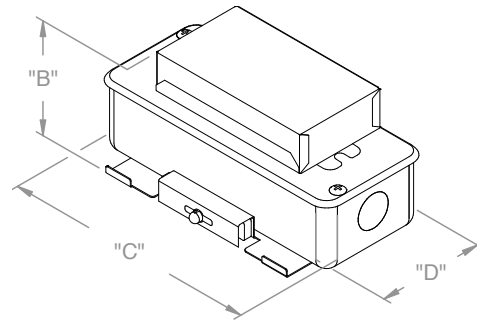
**DM1 / DM01 / PDM / DALI**



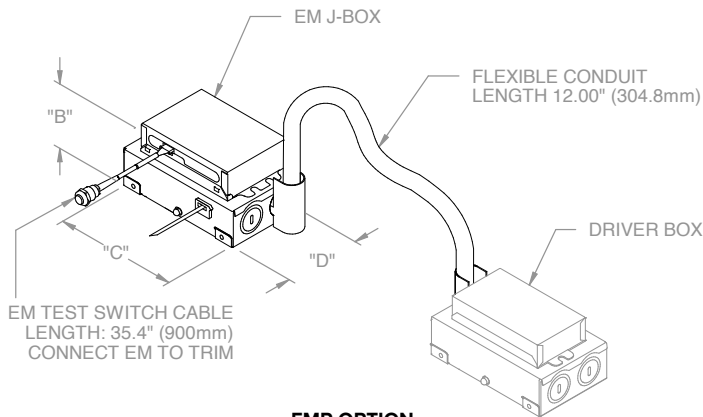
**DMX**



**NX CONTROLS OPTION**



**CP**



**EMR OPTION**

EM/Driver J-Box Conduit (provided) connects to Driver J-Box (see Driver J-Box for additional details)

OVERALL DRIVER J-BOX DIMENSIONS (ALL LUMEN OUTPUTS)				
DRIVER/ CONTROLS /OPTIONS	"B" (HEIGHT)	"C" (LENGTH)	"D" (WIDTH)	MINIMUM J-BOX PLENUM CLEARANCE
DM1 / DM01 / PDM / DALI	2.67" (67.8mm)	5.34" (135.6mm)	3.23" (82.0mm)	3.50" (88.9mm)
DMX	3.07" (78.0mm)	8.68" (220.5mm)	3.23" (82.0mm)	5.00" (127.0mm)
NX	3.02" (76.7mm)	8.68" (220.5mm)	3.23" (82.0mm)	6.00" (152.4mm)
EMR	2.73" (69.3mm)	5.34" (135.6mm)	3.23" (82.0mm)	4.00" (101.6mm)
CP	1.89" (73.4mm)	6.50" (165.1mm)	2.72" (69.1mm)	5.00" (127mm)

# LFR-4SQW

LITEFRAME 4" SQUARE LENSED WALL WASH

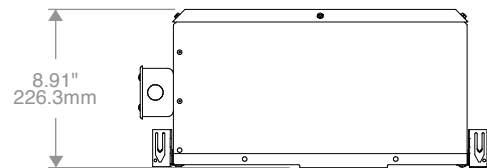
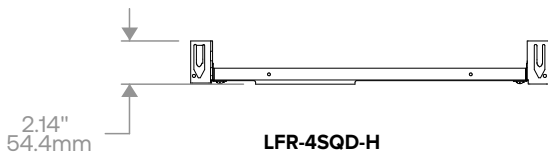
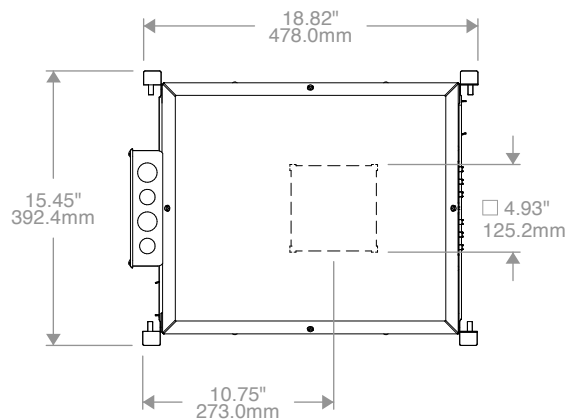
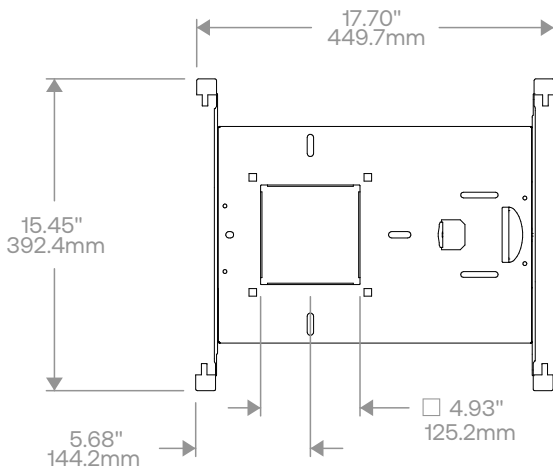
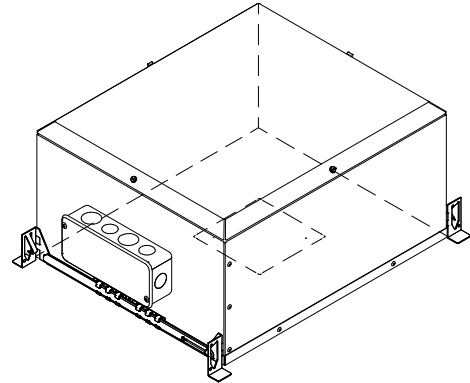
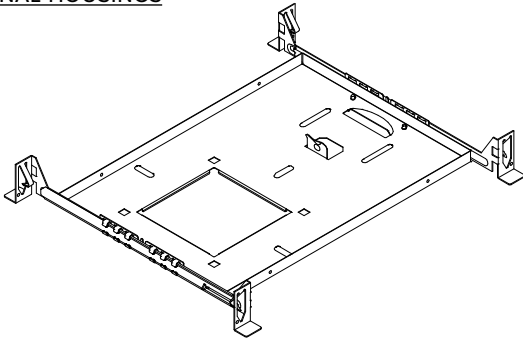
DATE: \_\_\_\_\_ LOCATION: \_\_\_\_\_

TYPE: \_\_\_\_\_ PROJECT: \_\_\_\_\_

CATALOG #: \_\_\_\_\_

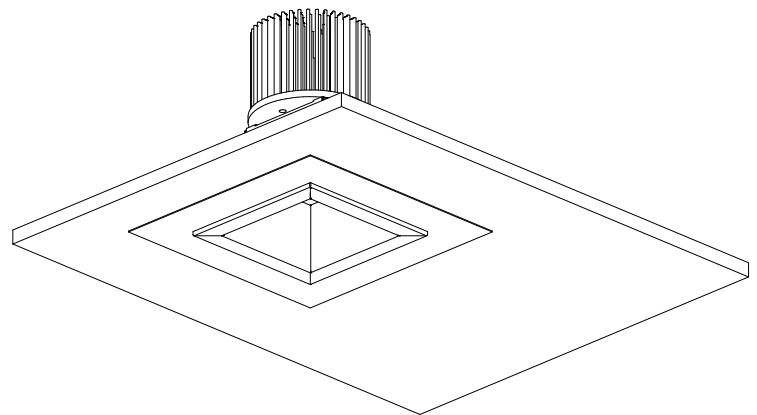
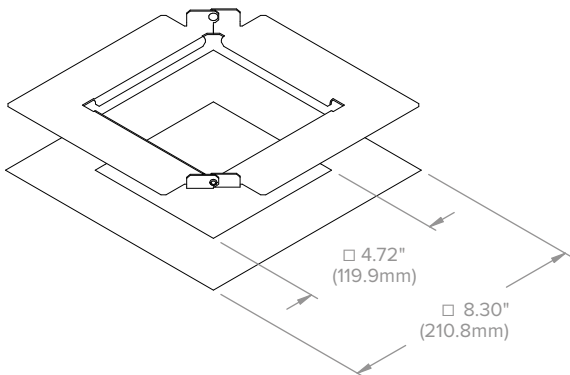
## DIMENSIONS CONTINUED

### OPTIONAL HOUSINGS



**LFR-4SQD-H  
NON-IC HOUSING FRAME**

**LFR-4SQD-H-IC  
IC HOUSING**  
Not for use with CP Shroud



**LF-MOR4-SQ  
METAL OVERSIZED RING**  
(See LF-MOR Installation Instruction for more details)

# LFR-4SQW

LITEFRAME 4" SQUARE LENSED WALL WASH

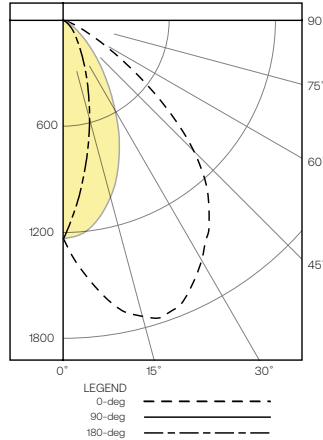
## PHOTOMETRY

### LFR-4SQW-M-20L35K8LWW-DM1 / LFR-4SQW-T-LWW-S

#### LUMINAIRE DATA

Test No.	22.00845
Description	2000 lm, Very Narrow, 3500K, 80 CRI
Delivered Lumens	1693
Watts	14.9W
Efficacy	114
Mounting	Recessed/Ceiling
Beam Angle (FWHM)	56

#### POLAR GRAPH



#### CANDELA DISTRIBUTION

Degree	Candela
0	1234
5	1447
15	1732
25	1683
35	1433
45	1037
55	443
65	108
75	12
85	0
90	0

#### LUMINANCE DATA\*

Vertical Angle	Average
45°	142071
55°	74821
65°	24756
75°	4492
85°	0

\*Candela/Square Meter

#### ZONAL LUMEN SUMMARY

Zone	Lumens	% Luminaire
0-40	1201	70.9
0-60	1642	97.0
0-90	1693	100.0
0-180	1693	100.0

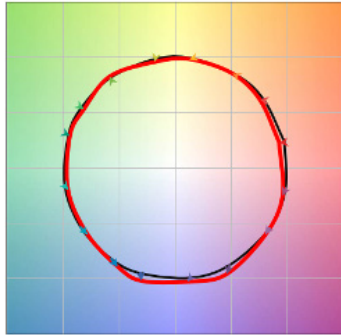
#### LUMEN MULTIPLIER

Option	27K8	30K8	35K8	40K8	50K8	27K9	30K9	35K9	40K9	50K9
Multiplier	0.93	0.96	1.00	1.01	1.03	0.78	0.82	0.85	0.87	0.89

Photometrics are published below at a nominal 3500 Kelvin, 80+ CRI. This table may be used to approximate the lumen values at different Kelvin temperatures. Power consumption would stay the same.

## TM-30 DATA

#### COLOR VECTOR GRAPHIC 3500K, 90 CRI



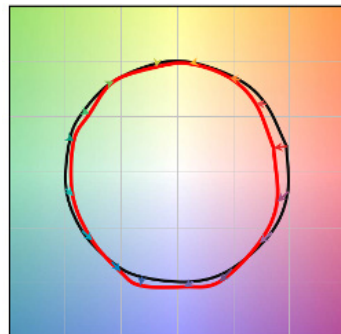
— Reference Illuminant — Test Source

#### COLOR DISTORTION GRAPHIC 3500K, 90 CRI



TEST RESULTS - 3500K		
Value	80+ CRI	90+ CRI
R <sub>t</sub>	85	90
R <sub>g</sub>	95	99
CCT (K)	3422	3416
D <sub>uv</sub>	-0.0008	-0.0019
x	0.4089	0.408
y	0.3906	0.3877
CIE R <sub>a</sub>	85	93
CIE R <sub>g</sub>	16	66

#### COLOR VECTOR GRAPHIC 3500K, 80 CRI



— Reference Illuminant — Test Source

#### COLOR DISTORTION GRAPHIC 3500K, 80 CRI



# LFR-4SQW

LITEFRAME 4" SQUARE LENSED WALL WASH

DATE:	LOCATION:
TYPE:	PROJECT:
CATALOG #:	

## ELECTRICAL DATA

DRIVER DATA		
Input Voltage	120–277 V	347 V
Input Frequency	50/60 Hz	50/60 Hz
Power Factor	≥0.90	≥0.90
THD	<20%	<20%
EMI Filtering (FCC 47 CFR Part 15)	Class A	Class A

\* Values for DM1 option shown, values for other dimming options may vary.

## ADDITIONAL INFORMATION

### Dimming Compatibility

For more details and recommended dimmer list, see Dimming Compatibility Information on [currentlighting.com/prescolite](http://currentlighting.com/prescolite).

### DMX

See instruction sheet on [currentlighting.com/prescolite](http://currentlighting.com/prescolite) for connection & installation information.

### Central Inverters

For full fixture output in back-up mode, we recommend you visit [currentlighting.com/dual-lite](http://currentlighting.com/dual-lite) for your Central Lighting Inverter options. Please contact your local Current representative for any assistance with proper sizing and loading of your inverter selection. Central lighting inverters must be ordered separately.

### Lumen Output in Emergency Mode

To determine the lumen output in emergency mode, multiply the battery pack wattage by the fixture lumens per watt (LPW). For example, 6W x 120 LPW = 720 lumens in emergency mode.