

# LFR-6RD

LITEFRAME 6" ROUND DOWNLIGHT

## LITEFRAME<sup>™</sup> 2.0

### FEATURES

- 6" LED downlight delivering 1000–8000 lumens
- Direct Install from below ceiling for New Construction or Remodel applications
- Optional housing accessories available
- Five beam distributions
- 2700K–5000K, 80+ and 90+ CRI (2 SDCM)
- Dimming protocols include 0–10V, Phase (Forward/Reverse), DALI, DMX, and Lutron EcoSystem
- NX Lighting Controls wired and wireless controls capability available



### SERVICE PROGRAMS



### CONTROLS TECHNOLOGY



### SPECIFICATIONS

#### CONSTRUCTION

- Standard Fixture Module designed for Non-IC, Direct Install construction
- Optional Non-IC frame or IC housing available with pre-installed bar hangers
- Die cast aluminum fixture module support ring with spring steel clips for secure mounting to ceiling
- Driver J-Box can be installed and accessed from below the ceiling as direct install or easily snap on to optional housing frame/enclosure
- Light Engine connections use plenum rated (CMP) cable

#### OPTICS

- High purity spun aluminum reflector, self-flanged
- 57° visual cutoff to source image and 31° cutoff to source
- Specular or Semi-Specular anodized or White painted cone reflector finish/colors
- Painted flange options in White or Black
- Optional clear lens trim for wet location applications
- Wide Angle and Soft Focus lens filter/clip accessories available

#### ELECTRICAL

- Chip-on-board LED with 2 SDCM
- Multiple CCTs, 80+ or 90+ CRI
- Long LED life: L90 at >50,000 hours (TM-21)

#### ELECTRICAL (CONTINUED)

- Universal voltage 120–277V driver, 347V optional
- UL Class 2, inherent short circuit and overload protection
- Flicker-free dimming options in a wide range of protocols from 1% to <0.1% performance
- 0–10V, Phase (Forward/Reverse), DALI, DMX, and Lutron EcoSystem options
- NX Lighting Controls provides options for standalone and networked functionality with wired or wireless connectivity for NX system deployments
- Integral and remote emergency battery options available

#### INSTALLATION

- Accommodates ceiling thickness from 0.50" to 2.50"
- Fixture Module including driver fully accessible from above or below the ceiling
- 10L–15L Fixture Modules are inherently protected IC without the use of IC housing enclosure. (IC housing is still recommended when using loose-fill or spray foam insulation types.)

#### CERTIFICATIONS

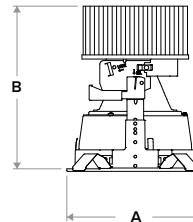
- cCSAus certified to UL 1598
- For ≥60L: Marked spacing required 36" fixture center to center; 18" fixture center to building member; 0.5" above fixture

#### CERTIFICATIONS (CONTINUED)

- Suitable for wet locations, covered ceiling when used with CL lens trim; all other configurations, suitable for damp locations
- CL Lens option: IP65 rated (room side) when properly installed per installation instructions
- EM/EMR: Certified under UL 924 standard for emergency lighting and power equipment
- EM/EMR: Emergency battery packs are California Energy Commission (CEC) Title 20 Compliant
- Approved for 8 (4 in/4 out) No. 12AWG conductors rated for 90°C through wiring

#### WARRANTY

- 5 year warranty



Typical Dimensions and Weights			
Lumen Package	"A" Diameter Inches (mm)	"B" Height Inches (mm)	Weight lbs (kg)
10L - 35L	7.13 (181)	6.71 (170)	4.4 (2)
40L - 50L	7.13 (181)	7.28 (185)	4.6 (2.1)
60L - 80L	7.13 (181)	8.47 (215)	5.2 (2.4)

See DIMENSIONS section for complete details

KEY DATA	
Lumen Range	1000–8000
Wattage Range	8–71
Efficacy Range (LPW)	118–143
Reported Life (Hours)	L90 / >50,000
Input Current (mA)	66–592 (120V)

\*Based on Specular, 35K, 80 CRI

# LFR-6RD

LITEFRAME 6" ROUND DOWNLIGHT

DATE: \_\_\_\_\_ LOCATION: \_\_\_\_\_  
 TYPE: \_\_\_\_\_ PROJECT: \_\_\_\_\_  
 CATALOG #: \_\_\_\_\_

Gray Shading = Service Program **STOCK** **QS10**  
 Limit of 150 Luminaries

## ORDERING GUIDE

Example: LFR-6RD-M-10L35K8-WD-DM1 / LFR-6RD-T-S / LFR-6RD-H

CATALOG # \_\_\_\_\_

### FIXTURE MODULE

LFR-6RD-M	Lumen Output		CCT		CRI	Distribution	Driver Options	Control Options	Voltage	Module Options
<b>Ap/Shp/Funct</b>	<b>10L</b>	<b>1000</b>	<b>27K</b>	<b>2700K</b>	<b>8</b> 80+	<b>VNR</b> Very Narrow (15°/0.3 SC)	<b>DM1</b> 0–10V Dimming to 1%	<b>NX Lighting Controls</b>	<i>Standard</i> 120–277V	<b>CP</b> Chicago Plenum <sup>5,6</sup>
<b>LFR-6RD-M</b> 6" Round Downlight Fixture Module for Direct Install	<b>15L</b>	<b>1500</b>	<b>30K</b>	<b>3000K</b>	<b>9</b> 90+	<b>NR</b> Narrow (25°/0.4 SC)	<b>DM01</b> 0–10V Dimming to < 1% <sup>2</sup>	<b>Networked Wireless</b>	<b>34</b> 347V <sup>4</sup>	<b>EM</b> 6W Emergency Battery Pack (CEC Title 20 Compliant) with integral test switch and indicator light <sup>6</sup>
(Non-IC frame or IC housing available under Housing Options below)	<b>20L</b>	<b>2000</b>	<b>35K</b>	<b>3500K</b>	<b>MD</b> Medium (38°/0.7 SC)	<b>PDM</b> Phase (Forward/Reverse) Dimming to 1% <sup>2</sup>	<b>NXW</b> NX Networked Wireless Radio Module NXRM2 and Bluetooth Programming, without Sensor <sup>3</sup>			
	<b>25L</b>	<b>2500</b>	<b>40K</b>	<b>4000K</b>	<b>WD</b> Wide (46°/0.7 SC)	<b>DMX</b> DMX with RDM dimming to < 0.1% <sup>2</sup>	<b>Networked Wired</b>	<b>NXE</b> NX Wired Dual RJ45 SmartPORTS, without Sensor <sup>3</sup>		<b>EMR</b> 6W Emergency Battery Pack (CEC Title 20 Compliant) with remote test switch and indicator light <sup>6</sup>
	<b>30L</b>	<b>3000</b>	<b>50K</b>	<b>5000K</b>	<b>XW</b> Extra Wide (59°/0.9 SC) <sup>12</sup>	<b>DALI</b> DALI Dimming to 1% <sup>2</sup>				<b>DTS</b> Device Transfer Switch with Dimming Bypass <sup>6,7</sup>
	<b>35L</b>	<b>3500</b>				<b>EDM</b> Lutron Hi-Lume EcoSystem Dimming to 1% <sup>2</sup>				
	<b>40L</b>	<b>4000</b>								
	<b>50L</b>	<b>5000</b>								
	<b>60L</b>	<b>6000</b> <sup>1</sup>								
	<b>70L</b>	<b>7000</b> <sup>1</sup>								
	<b>80L</b>	<b>8000</b> <sup>1</sup>								

### TRIM (Ships separately)

LFR-6RD-T	Distribution	Reflector Finish/Color	Flange Color Options	Lens Options	Lower Trim Options
<b>Aperture/Shape/Function</b>					
<b>LFR-6RD-T</b> 6" Round Downlight Trim Assembly	<i>Standard</i> NR, MD, WD, XW <b>VNR</b> Very Narrow	<b>S</b> Specular <sup>12</sup> <b>SS</b> Semi-Specular <b>WC</b> Painted White Cone and Flange	<i>Standard matches reflector color</i> <b>WT</b> White Flange <sup>8</sup> <b>BT</b> Black Flange	<i>Standard no lens</i> <b>CL</b> Clear Lens (Wet listed) <sup>9</sup>	<b>EM</b> Pre-punched reflector for EM integral test switch and indicator <sup>9</sup> <b>FM</b> Flush Mount Mud-In Ring <sup>13</sup>



### HOUSING OPTIONS (Ships separately)

Aperture/Shape/Function
<input type="checkbox"/> <b>LFR-6RD-H</b> 6" Housing Frame, New Construction, Non-IC
<input type="checkbox"/> <b>LFR-6RD-H-IC</b> 6" Housing Enclosure, New Construction, IC Rated <sup>10,11</sup>

Accessories
<input type="checkbox"/> <b>SFL6</b> Soft Focus Lens and Clip, 6" Round
<input type="checkbox"/> <b>WAL6</b> Wide Angle 80° Lens and Clip, 6" Round
<input type="checkbox"/> <b>LiteGear</b> LiteGear® Inverter, 125VA–250VA
<input type="checkbox"/> <b>LPS Series</b> LightPower Micro-Inverter, 20VA–55VA
<input type="checkbox"/> <b>LF-FMR6-R</b> Flush Mount Mud-in Ring, 6" <sup>13</sup>
<input type="checkbox"/> <b>LF-MOR6-R-WH</b> Metal Oversized Ring, 6" Round, White (10.12" outside diameter)
<input type="checkbox"/> <b>LFR-SCA6-___</b> Sloped Ceiling Adapter, 6" White <sup>14</sup>

- Notes:
- 60L–80L require marked spacing. See line art for more details.
  - DM01, PDM, DMX, DALI available up to 50L. EDM available 15L–40L.
  - NX requires DM1 driver option.
  - 347V requires DM1 driver option; available 10L–40L; not available with Controls, DTS, EM, EMR.
  - CP not available with PDM, DMX, or Controls.
  - Module options not available in combination.
  - DTS available with DM1, DM01 or DALI.
  - WT not needed for WC.
  - CL lens and EM trim options not available in combination.
  - IC available up to 35L; 10L–15L Fixture Modules are inherently protected IC without the use of IC housing enclosure. (IC housing is still recommended when using loose-fill or spray foam insulation types.)
  - IC Housing not for use in combination with Controls or with Module Options CP, EM, EMR, DTS.
  - XW distribution is not available for Specular (S) reflector finish.
  - Flush Mount Flange (FM) requires FMR accessory (sold separately).
  - Specify slope angle 5°–35° in 5° increments. Not available with EM or FM options.

**NX LIGHTING CONTROLS**

Control Option Ordering Logic & Description			Control Option Functionality								Control Option Components	
			Networkable	Grouping	Scheduling	Occupancy/Motion	Daylight Harvesting	0-10V Dimming	On/Off Control	Bluetooth App Programming		
NX Wireless	NXW	NX Networked Wireless Radio Module NXRM2 and Bluetooth Programming, without Sensor	✓	✓	✓	-	-	✓	✓	✓		NXRM2-H
NX Wired	NXE	NX Wired Dual RJ45 SmartPORTS, without Sensor	✓	✓	✓	-	-	✓	✓	✓ <sup>1</sup>		NXDSP

<sup>1</sup> Requires NXBTC, order separately.

**NX LIGHTING CONTROLS APP**



The NX Lighting Controls App is a free to use mobile application for programming both an NX Lighting Controls System or Standalone Bluetooth Sensors. The mobile app allows you to configure devices, discover and setup wireless enabled luminaires and program your NX system settings.



Android



Apple iOS

# LFR-6RD

LITEFRAME 6" ROUND DOWNLIGHT

## PERFORMANCE DATA TABLE

Performance data shown is 3500K 80+CRI with Specular reflector except Extra Wide distribution which is Semi-Specular.

Lumen Package	Nominal Lumens	Distribution	Delivered Lumens	Watts	LPW
10L	1000	Very Narrow	1014	7.3	139
		Narrow	1042	7.3	143
		Medium	1022	7.3	140
		Wide	967	7.3	132
		Extra Wide	1010	7.3	138
15L	1500	Very Narrow	1559	11.4	137
		Narrow	1602	11.4	141
		Medium	1572	11.4	138
		Wide	1487	11.4	131
		Extra Wide	1553	11.4	136
20L	2000	Very Narrow	2048	14.6	138
		Narrow	2063	14.6	141
		Medium	2024	14.6	139
		Wide	1915	14.6	131
		Extra Wide	2000	14.6	138
25L	2500	Very Narrow	2644	19.5	136
		Narrow	2717	19.5	139
		Medium	2666	19.5	137
		Wide	2522	19.5	129
		Extra Wide	2634	19.5	135
30L	3000	Very Narrow	3238	24.3	133
		Narrow	3327	24.3	137
		Medium	3264	24.3	134
		Wide	3088	24.3	127
		Extra Wide	3225	24.3	133
35L	3500	Very Narrow	3802	29.1	131
		Narrow	3906	29.1	134
		Medium	3833	29.1	132
		Wide	3626	29.1	124
		Extra Wide	3787	29.1	130
40L	4000	Very Narrow	4210	32.6	129
		Narrow	4325	32.6	133
		Medium	4244	32.6	130
		Wide	4015	32.6	123
		Extra Wide	4193	32.6	129
50L	5000	Very Narrow	5242	42.3	124
		Narrow	5387	42.3	127
		Medium	5285	42.3	125
		Wide	5000	42.3	118
		Extra Wide	5222	42.3	123
60L	6000	Very Narrow	6503	50.1	130
		Narrow	6682	50.1	133
		Medium	6556	50.1	131
		Wide	6202	50.1	124
		Extra Wide	6478	50.1	129
70L	7000	Very Narrow	7568	59.5	127
		Narrow	7776	59.5	131
		Medium	7630	59.5	128
		Wide	7218	59.5	121
		Extra Wide	7539	59.5	127
80L	8000	Very Narrow	8688	70.1	124
		Narrow	8927	70.1	127
		Medium	8759	70.1	125
		Wide	8286	70.1	118
		Extra Wide	8654	70.1	123

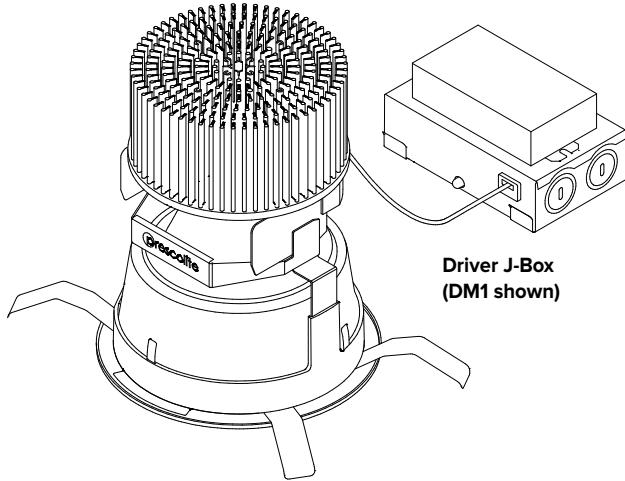
# LFR-6RD

LITEFRAME 6" ROUND DOWNLIGHT

## DIMENSIONS

### LFR-6RD-M

Fixture Module consists of Light Engine and Driver J-Box assemblies.  
Overall dimensions for each are dependent upon configuration selected.  
See the following pages for details.



**Light Engine  
with Trim assembly installed**

**Driver J-Box  
(DM1 shown)**

DIMENSIONAL DATA		
APERTURE		ø5.75" (101.6mm)
OVERALL		Ø 7.13" (181.0mm)
FLANGE WIDTH	Standard	0.69" (17.5mm)
	Flush Mount	0.20" (5.1mm)
FLANGE TO FLANGE	Standard	Ø7.13" (136.6mm)
	Flush Mount	Ø6.15" (156.2mm)
CEILING CUTOUT	Standard	Ø6.50" (165.1mm)
	Flush Mount	Ø6.63" (168.4mm)
CEILING THICKNESS		0.50" – 2.50" (12.7 – 63.5mm)

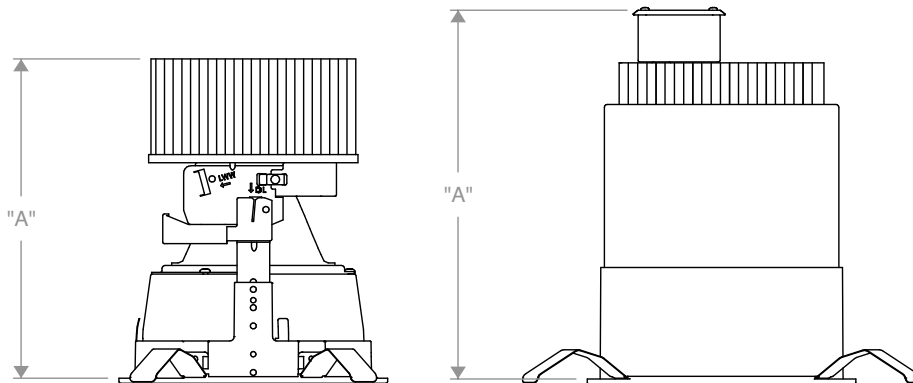
### LFR-6RD LIGHT ENGINE

OVERALL LIGHT ENGINE HEIGHT "A" *				
LUMEN PACKAGE	FIXTURE MODULE	BEAM DISTRIBUTION		
		VNR	NR / MD/ WD	XW
10L-35L	STANDARD	7.95" (202.0mm)	6.71" (170.5mm)	6.23" (158.3mm)
	CP	11.11" (282.1mm)	9.89" (250.6mm)	9.39" (238.5mm)
40L-50L	STANDARD	8.52" (216.5mm)	7.28" (185.0mm)	6.80" (172.8mm)
	CP	11.11" (282.1mm)	9.89" (250.6mm)	9.39" (238.5mm)
60L-80L	STANDARD	9.71" (246.7mm)	8.47" (215.2mm)	7.99" (203.0mm)
	CP	11.11" (282.1mm)	9.89" (250.6mm)	9.39" (238.5mm)

\* Note: Add ½" minimum plenum clearance above overall Light Engine Height.

\*\* For ≥60L: Marked spacing required 36" fixture center to center; 18" fixture center to building member; 0.5" above fixture.

\*\*\* Non-IC rating requires 3" from insulation and combustible materials.



**Side View Standard**

**Side View CP – Chicago Plenum**

# LFR-6RD

LITEFRAME 6" ROUND DOWNLIGHT

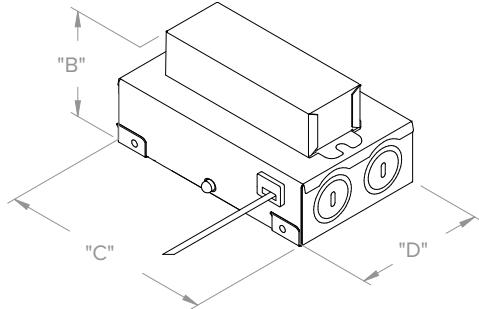
DATE: \_\_\_\_\_ LOCATION: \_\_\_\_\_

TYPE: \_\_\_\_\_ PROJECT: \_\_\_\_\_

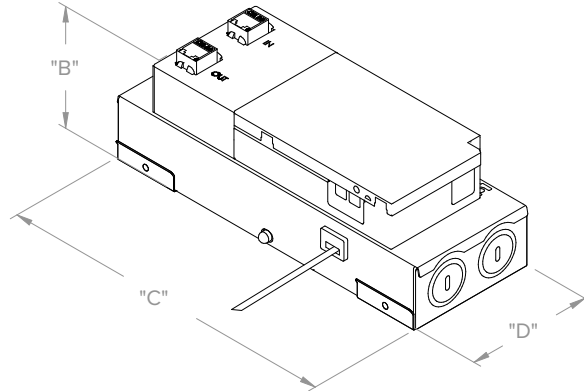
CATALOG #: \_\_\_\_\_

## DIMENSIONS CONTINUED

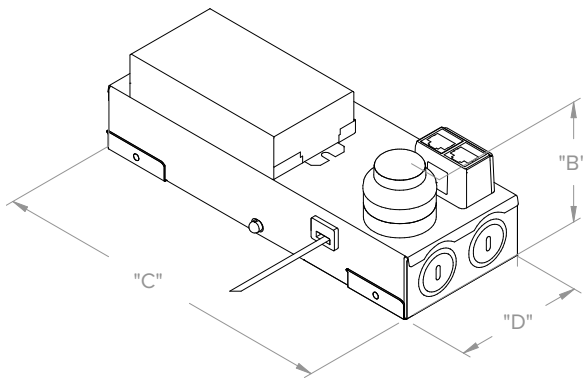
### DRIVER J-BOX



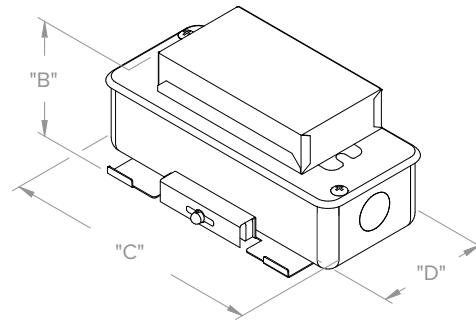
**DM1 / DM01 / PDM / DALI**



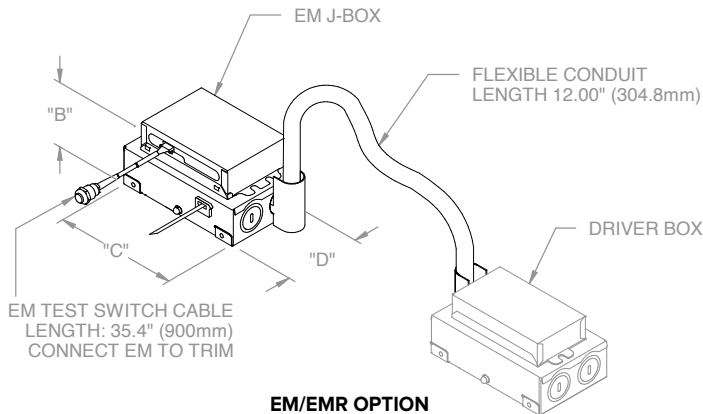
**DMX**



**NX CONTROLS OPTION**



**CP**



**EM/EMR OPTION**

EM/EMR/Driver J-Box Conduit (provided) connects to Driver J-Box  
(see Driver J-Box for additional details)

OVERALL DRIVER J-BOX DIMENSIONS (ALL LUMEN OUTPUTS)				
DRIVER/ CONTROLS OPTIONS	"B" (HEIGHT)	"C" (LENGTH)	"D" (WIDTH)	MINIMUM J-BOX PLENUM CLEARANCE
DM1 / DM01 / PDM / DALI	2.67" (67.8mm)	5.34" (135.6mm)	3.23" (82.0mm)	3.00" (76.2mm)
DMX	3.07" (78.0mm)	8.68" (220.5mm)	3.23" (82.0mm)	3.50" (88.9mm)
NX	3.02" (76.7mm)	8.68" (220.5mm)	3.23" (82.0mm)	3.75" (95.3mm)
EM/EMR	2.73" (69.3mm)	5.34" (135.6mm)	3.23" (82.0mm)	3.00" (76.2mm)
CP	1.89" (73.4mm)	6.50" (165.1mm)	2.72" (69.1mm)	3.00" (76.2mm)

# LFR-6RD

LITEFRAME 6" ROUND DOWNLIGHT

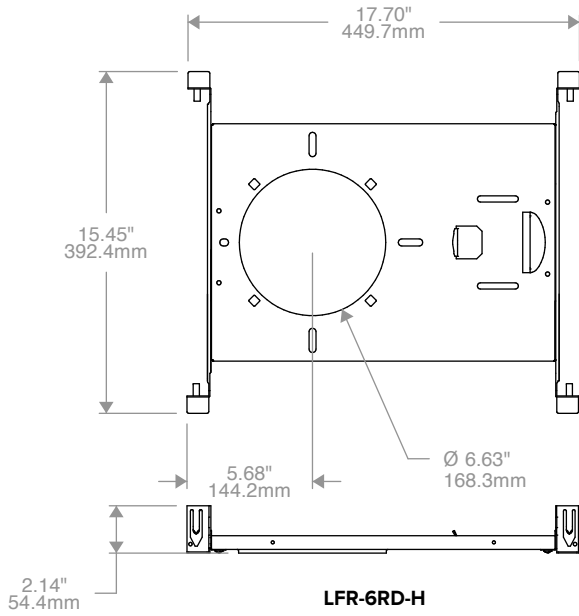
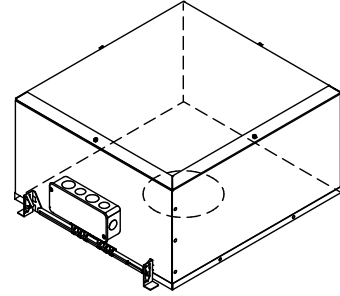
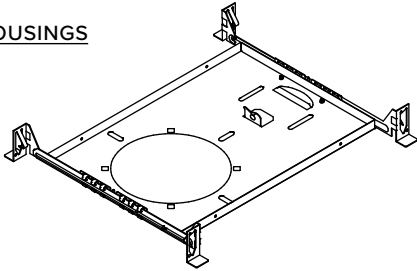
DATE: \_\_\_\_\_ LOCATION: \_\_\_\_\_

TYPE: \_\_\_\_\_ PROJECT: \_\_\_\_\_

CATALOG #: \_\_\_\_\_

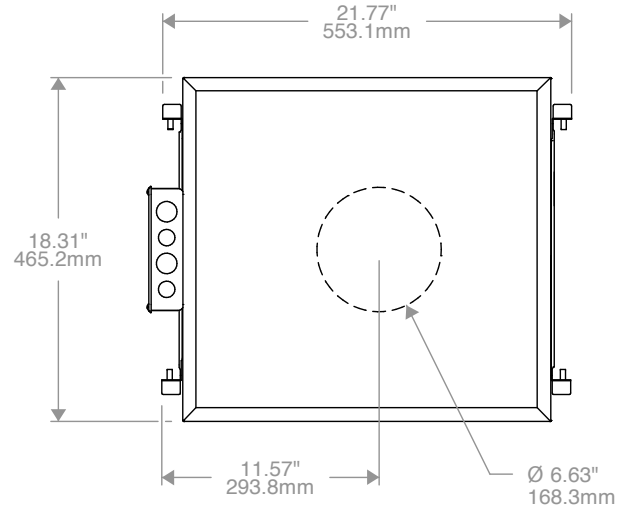
## DIMENSIONS CONTINUED

### OPTIONAL HOUSINGS



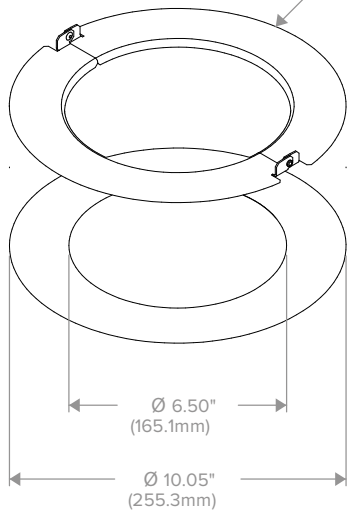
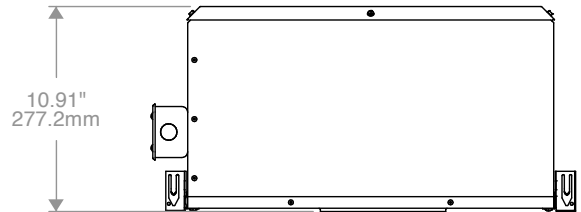
**LFR-6RD-H  
NON-IC HOUSING FRAME**

Metal 2-piece adapter (included)  
to be installed above ceiling



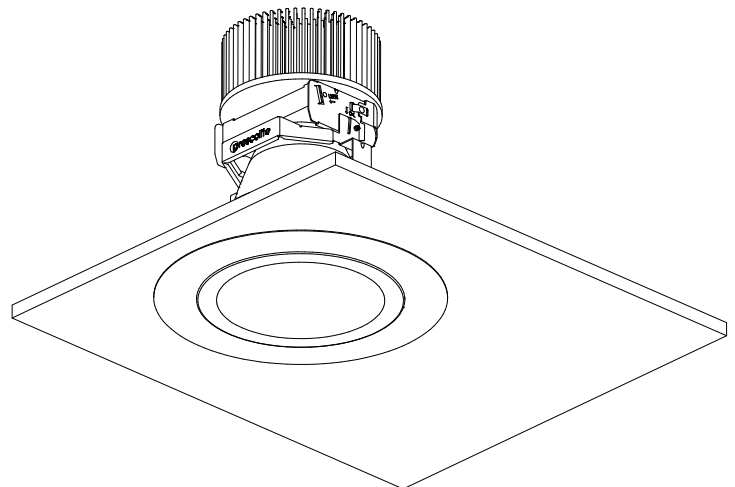
**LFR-6RD-H-IC  
IC HOUSING**

Not for use with CP Shroud



**ROUND LF-MOR6-R  
METAL OVERSIZED RING**

(See LF-MOR Installation Instruction for more details)



# LFR-6RD

LITEFRAME 6" ROUND DOWNLIGHT

## PHOTOMETRY

### LFR-6RD-M-20L35K8VNR-DM1 / LFR-6RD-T-VNR-S

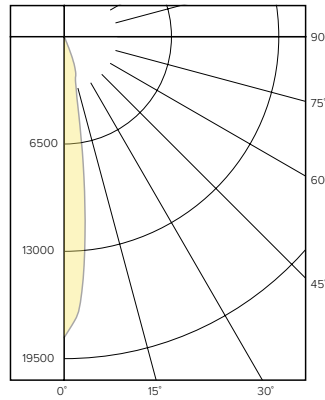
#### LUMINAIRE DATA

Test No.	21.001645
Description	2000 lm, Very Narrow, 3500K, 80 CRI
Delivered Lumens	2008
Watts	15.0W
Efficacy	141
Mounting	Recessed
Spacing Criterion	0.3
Beam Angle (FWHM)	16

#### ZONAL LUMEN SUMMARY

Zone	Lumens	% Luminaire
0-40	2043	99.8
0-60	2047	99.9
0-90	2048	100.0
0-180	2048	100.0

#### POLAR GRAPH



#### CANDELA DISTRIBUTION

Degree	Candela
0	18228
5	13870
15	2639
25	121
35	8
45	3
55	1
65	1
75	0
85	0
90	0

#### LUMINANCE DATA\*

Vertical Angle	Average
45°	253
55°	104
65°	141
75°	0
85°	0

\*Candela/Square Meter

### LFR-6RD-M-20L35K8NR-DM1 / LFR-6RD-T-S

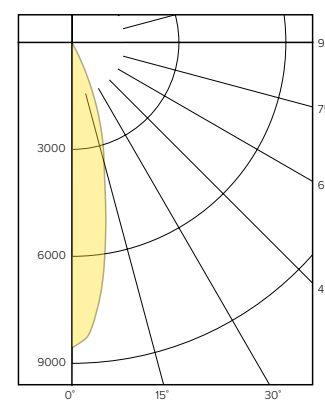
#### LUMINAIRE DATA

Test No.	21.00607
Description	2000 lm, Narrow, 3500K, 80 CRI
Delivered Lumens	2063
Watts	14.6W
Efficacy	141
Mounting	Recessed
Spacing Criterion	0.42
Beam Angle (FWHM)	25

#### ZONAL LUMEN SUMMARY

Zone	Lumens	% Luminaire
0-40	2060	99.9
0-60	2063	100.0
0-90	2063	100.0
0-180	2063	100.0

#### POLAR GRAPH



#### CANDELA DISTRIBUTION

Degree	Candela
0	8568
5	7672
15	3482
25	885
35	6
45	2
55	1
65	0
75	0
85	0
90	0

#### LUMINANCE DATA\*

Vertical Angle	Average
45°	169
55°	104
65°	0
75°	0
85°	0

\*Candela/Square Meter

### LFR-6RD-M-20L35K8MD-DM1 / LFR-6RD-T-S

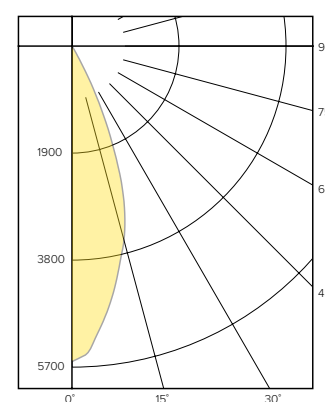
#### LUMINAIRE DATA

Test No.	21.00620
Description	2000 lm, Medium, 3500K, 80 CRI
Delivered Lumens	2024
Watts	14.6W
Efficacy	139
Mounting	Recessed
Spacing Criterion	0.6
Beam Angle (FWHM)	38

#### ZONAL LUMEN SUMMARY

Zone	Lumens	% Luminaire
0-40	2019	99.7
0-60	2023	99.9
0-90	2024	100.0
0-180	2024	100.0

#### POLAR GRAPH



#### CANDELA DISTRIBUTION

Degree	Candela
0	5602
5	5134
15	3567
25	1232
35	8
45	3
55	1
65	1
75	0
85	0
90	0

#### LUMINANCE DATA\*

Vertical Angle	Average
45°	253
55°	104
65°	141
75°	0
85°	0

\*Candela/Square Meter



# LFR-6RD

LITEFRAME 6" ROUND DOWNLIGHT

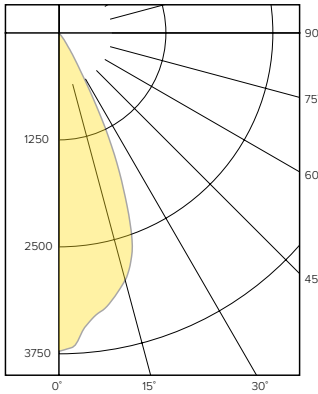
## PHOTOMETRY CONTINUED

### LFR-6RD-M-20L35K8WD-DM1 / LFR-6RD-T-S

#### LUMINAIRE DATA

Test No.	21.00610
Description	2000 lm, Wide, 3500K, 80 CRI
Delivered Lumens	1915
Watts	14.6W
Efficacy	131
Mounting	Recessed
Spacing Criterion	0.7
Beam Angle (FWHM)	46

#### POLAR GRAPH



#### CANDELA DISTRIBUTION

Degree	Candela
0	3721
5	3455
15	2991
25	1456
35	148
45	8
55	2
65	1
75	1
85	0
90	0

#### LUMINANCE DATA\*

Vertical Angle	Average
45°	675
55°	208
65°	141
75°	231
85°	0

\*Candela/Square Meter

#### ZONAL LUMEN SUMMARY

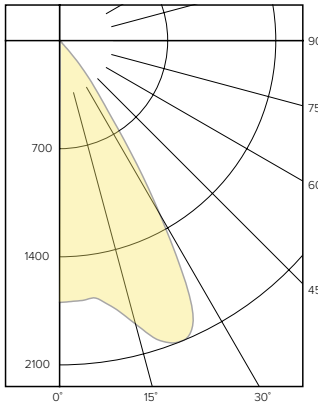
Zone	Lumens	% Luminaire
0-40	1902	99.3
0-60	1913	99.9
0-90	1915	100.00
0-180	1915	100.00

### LFR-6RD-M-20L35K8XW-DM1 / LFR-6RD-T-SS

#### LUMINAIRE DATA

Test No.	21.001457
Description	2000 lm, Extra Wide, 3500K, 80 CRI
Delivered Lumens	2000
Watts	14.6W
Efficacy	138
Mounting	Recessed
Spacing Criterion	1.0
Beam Angle (FWHM)	59

#### POLAR GRAPH



#### CANDELA DISTRIBUTION

Degree	Candela
0	1696
5	1689
15	1900
25	2038
35	506
45	23
55	7
65	3
75	1
85	0
90	0

#### LUMINANCE DATA\*

Vertical Angle	Average
45°	1942
55°	728
65°	424
75°	231
85°	0

\*Candela/Square Meter

#### ZONAL LUMEN SUMMARY

Zone	Lumens	% Luminaire
0-40	1948	97.4
0-60	1996	99.8
0-90	2000	100.0
0-180	2000	100.0

#### LUMEN MULTIPLIER

Option	27K8	30K8	35K8	40K8	50K8	27K9	30K9	35K9	40K9	50K9
Multiplier	0.93	0.96	1.00	1.01	1.03	0.78	0.82	0.85	0.87	0.89

Photometrics are published below at a nominal 3500 Kelvin, 80+ CRI. This table may be used to approximate the lumen values at different Kelvin temperatures. Power consumption would stay the same.

#### LENS OPTION / LENS FILTER ACCESSORY MULTIPLIER (Based on Clear Specular)

Option	CL (Clear Lens)	SFL6 (Soft Focus Accessory)	WAL6 (Wide Angle Accessory)
Multiplier	0.95	0.96	0.83

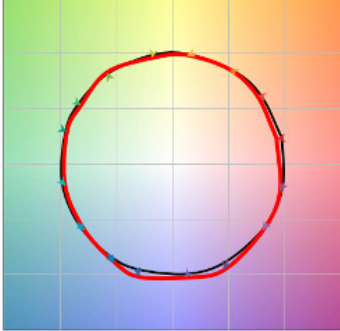
Multiply lumen/lens multipliers to calculate applicable combinations. Example: 30K8 with Clear Lens option (CL) = 0.96 x 0.95 = 0.91

# LFR-6RD

LITEFRAME 6" ROUND DOWNLIGHT

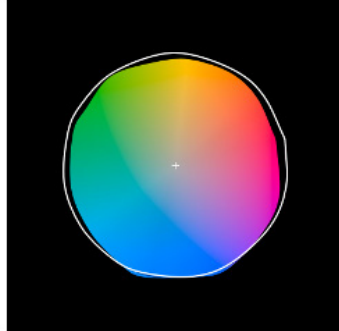
## TM-30 DATA

COLOR VECTOR GRAPHIC  
3500K, 90 CRI



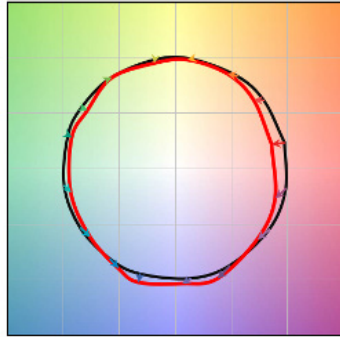
— Reference Illuminant — Test Source

COLOR DISTORTION GRAPHIC  
3500K, 90 CRI



TEST RESULTS - 3500K		
Value	80+ CRI	90+ CRI
$R_f$	85	90
$R_g$	95	99
CCT (K)	3422	3416
$D_{uv}$	-0.0008	-0.0019
x	0.4089	0.408
y	0.3906	0.3877
CIE $R_a$	85	93
CIE $R_s$	16	66

COLOR VECTOR GRAPHIC  
3500K, 80 CRI



— Reference Illuminant — Test Source

COLOR DISTORTION GRAPHIC  
3500K, 80 CRI



# LFR-6RD

LITEFRAME 6" ROUND DOWNLIGHT

## ELECTRICAL DATA

DRIVER DATA		
Input Voltage	120–277 V	347 V
Input Frequency	50/60 Hz	50/60 Hz
Power Factor	≥0.90	≥0.90
THD	<20%	<20%
EMI Filtering (FCC 47 CFR Part 15)	Class A	Class A

\* Values for DM1 option shown, values for other dimming options may vary.

## ADDITIONAL INFORMATION

### Dimming Compatibility

For more details and recommended dimmer list, see Dimming Compatibility Information on [currentlighting.com/prescolite](http://currentlighting.com/prescolite).

### DMX

See instruction sheet on [currentlighting.com/prescolite](http://currentlighting.com/prescolite) for connection & installation information.

### Central Inverters

For full fixture output in back-up mode, we recommend you visit [currentlighting.com/dual-lite](http://currentlighting.com/dual-lite) for your Central Lighting Inverter options. Please contact your local Current representative for any assistance with proper sizing and loading of your inverter selection. Central lighting inverters must be ordered separately.

### Lumen Output in Emergency Mode

To determine the lumen output in emergency mode, multiply the battery pack wattage by the fixture lumens per watt (LPW). For example, 6W x 120 LPW = 720 lumens in emergency mode.