

# LFR-6RW SpectraSync

LITEFRAME 6" ROUND LENSED WALL WASH  
WITH COLOR TUNING

LITEFRAME  
2.0

## FEATURES

- 6" LED lensed wall wash delivering 1000–3000 lumens
- Direct Install from below ceiling for New Construction or Remodel applications
- Optional housing accessories available
- Provides smooth, uniform illumination
- SpectraSync™ Color Tuning technology allows the flexibility to tailor CCT to aesthetic preferences
- Available in Dim to Warm (2200K–3000K) or Tunable White (2700K–5000K or 2700K–6500K), 90+ CRI
- NX Lighting Controls wired and wireless controls capability available

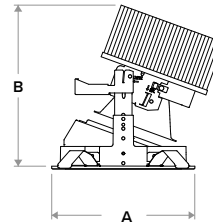


## SERVICE PROGRAMS

STOCK



## CONTROLS TECHNOLOGY



| Typical Dimensions and Weights |                          |                        |                 |
|--------------------------------|--------------------------|------------------------|-----------------|
| Lumen Package                  | "A" Diameter Inches (mm) | "B" Height Inches (mm) | Weight lbs (kg) |
| 10L - 30L                      | 713 (181)                | 6.99 (178)             | 5.1 (2.3)       |

See DIMENSIONS section for complete details

## SPECIFICATIONS

### CONSTRUCTION

- Standard Fixture Module designed for Non-IC, Direct Install construction
- Optional Non-IC frame or IC housing available with pre-installed bar hangers
- Die cast aluminum fixture module support ring with spring steel clips for secure mounting to ceiling
- Driver J-Box can be installed and accessed from below the ceiling as direct install or easily snap on to optional housing frame/enclosure
- Light Engine connections use plenum rated (CMP) cable

### OPTICS

- Tempered Glass Lens standard
- Provides uniform light distribution down the wall
- High purity spun aluminum reflector, self-flanged
- Specular or Semi-Specular anodized or White painted cone reflector finish/colors
- Painted flange options in White or Black

### ELECTRICAL

- LED array with 3 SDCM color consistency
- Dim to Warm (2200K–3000K) or Tunable White (2700K–5000K or 2700K–6500K) options available
- 90+ CRI standard
- Long LED life: L70 at >60,000 hours (TM-21)
- Universal voltage 120V–277V driver
- UL Class 2, inherent short circuit and overload protection, RoHS compliant
- Flicker free 0–10V dimming to 5%
- NX Lighting Controls provides options for standalone and networked functionality with wired or wireless connectivity for NX system deployments
- Remote emergency battery option available

### INSTALLATION

- Accommodates ceiling thickness from 0.50" to 1.25"
- Fixture Module including driver fully accessible from above or below the ceiling
- 10L Fixture Modules are inherently protected IC without the use of IC housing enclosure (IC housing is still recommended when using loose-fill or spray foam insulation types)

### CERTIFICATIONS

- cCSAus certified to UL 1598
- Suitable for wet locations, covered ceiling
- IP65 rated (room side) when properly installed per installation instructions
- EMR: Certified under UL 924 standard for emergency lighting and power equipment
- EMR: Emergency battery packs are California Energy Commission (CEC) Title 20 Compliant
- Approved for 8 (4 in/4 out) No. 12AWG conductors rated for 90°C through wiring

### WARRANTY

- 5 year warranty

| KEY DATA              |                |
|-----------------------|----------------|
| Lumen Range           | 1000–3000      |
| Wattage Range         | 12–42          |
| Efficacy Range (LPW)  | 58–73          |
| Reported Life (Hours) | L70 / >60,000  |
| Input Current (mA)    | 100–350 (120V) |

\*Based on Specular, 30K, 90 CRI

# LFR-6RW SpectraSync

LITEFRAME 6" ROUND LENSED WALL WASH  
WITH COLOR TUNING

Gray Shading = Service Program **STOCK**

## ORDERING GUIDE

Example: LFR-6RW-M-10L2230TD9-LWW-DMTW / LFR-6RW-T-LWW-S / LFR-6RD-H

CATALOG #

### FIXTURE MODULE

| LFR-6RW-M  | Lumen Output |      | CCT           | CRI                                    | Distribution | Driver Options  | Control Options  | Voltage  | Module Options           |  |
|--|--------------|------|---------------|--|--------------|---|--|--|--------------------------|--|
| <b>Ap/Shp/Funct</b>  | <b>10L</b>   | 1000 | <b>2230TD</b> | 2200K-3000K SpectraSync™ Dim to Warm   | <b>9</b> 90+ | <b>LWW</b> Lensed Wall Wash   | <b>DMTW</b> SpectraSync™ Dim to Warm, 0-10V Dimming to 5% <sup>1</sup>                       | <b>NX Lighting Controls</b><br><u>Networked Wireless</u> | <i>Standard</i> 120-277V | <b>CP</b> Chicago Plenum <sup>2,4</sup>  |
| <b>LFR-6RW-M</b><br>6" Round Lensed Wall Wash Fixture Module for Direct Install<br><i>(Non-IC frame or IC housing available under Housing Options below)</i> | <b>15L</b>   | 1500 |               |  |              |   |  |  |                          | <b>EMR</b> 6W Emergency Battery Pack (CEC Title 20 Compliant) with remote test switch and indicator light <sup>4</sup> |
|  | <b>20L</b>   | 2000 | <b>2750T</b>  | 2700K-5000K SpectraSync™ Tunable White |              |   | <b>NXW</b> NX Networked Wireless Radio Module NXR2 and Bluetooth Programming, without Sensor |  |                          | <b>DTS</b> Device Transfer Switch with Dimming Bypass <sup>4</sup>   |
|  | <b>25L</b>   | 2500 |               |  |              |   | <u>Networked Wired</u>   |  |                          |  |
|  | <b>30L</b>   | 3000 | <b>2765T</b>  | 2700K-6500K SpectraSync™ Tunable White |              | <b>DMT</b> SpectraSync™ Tunable White, 0-10V Dimming to 5% <sup>2</sup> | <b>NXE</b> NX Wired Dual RJ45 SmartPORTS, without Sensor                                     |  |                          |  |

### TRIM (Ships separately)

| LFR-6RW-T  | Distribution                | Reflector Finish/Color  | Flange Color Options   | Lower Trim Options                             |
|--|-----------------------------|---|--|--|
| <b>Aperture/Shape/Function</b>                           |                             |   |  |  |
| <b>LFR-6RW-T</b> 6" Round Lensed Wall Wash Trim Assembly | <b>LWW</b> Lensed Wall Wash | <b>S</b> Specular<br><b>SS</b> Semi-Specular<br><b>WC</b> Painted White Cone and Flange | <i>Standard matches reflector color</i><br><b>WT</b> White Flange <sup>5</sup><br><b>BT</b> Black Flange | <b>FM</b> Flush Mount Mud-In Ring <sup>6</sup> |

### HOUSING OPTIONS (Ships separately)

| Aperture/Shape/Function  |
|--|
| <input type="checkbox"/> <b>LFR-6RD-H</b> 6" Housing Frame, New Construction, Non-IC                         |
| <input type="checkbox"/> <b>LFR-6RD-H-IC</b> 6" Housing Enclosure, New Construction, IC Rated <sup>6,7</sup> |

#### Notes:

- Must select 2230TD with DMTW driver.
- Must select either 2750T or 2765T with DMT driver.
- CP not available with Controls.
- Module options not available in combination.
- WT not needed for WC.
- IC available up to 25L; 10L Fixture Modules are inherently protected IC without the use of IC housing enclosure. (IC housing is still recommended when using loose-fill or spray foam insulation types.)
- IC Housing not for use in combination with Controls or with Module Options CP, EMR, DTS.
- Flush Mount Flange (FM) requires FMR accessory (sold separately).



#### Accessories

- LiteGear** LiteGear® Inverter, 125VA-250VA
- LPS Series** LightPower Micro-Inverter, 20VA-55VA
- LF-FMR6-R** Flush Mount Mud-in Ring, 6" <sup>8</sup>
- LF-MOR6-R-WH** Metal Oversized Ring, 6" Round, White (10.12" outside diameter)

# LFR-6RW SpectraSync

LITEFRAME 6" ROUND LENSED WALL WASH  
WITH COLOR TUNING

## NX LIGHTING CONTROLS

| Control Option Ordering Logic & Description |     |  | Control Option Functionality |          |            |                  |                     |               |                |                           | Control Option Components   |         |
|---|-----|--|------------------------------|----------|------------|------------------|---------------------|---------------|----------------|---------------------------|---|---------|
|   |     |  | Networkable                  | Grouping | Scheduling | Occupancy/Motion | Daylight Harvesting | 0-10V Dimming | On/Off Control | Bluetooth App Programming |   |         |
| NX Wireless                                 | NXW | NX Networked Wireless Radio Module NXRM2 and Bluetooth Programming, without Sensor | ✓                            | ✓        | ✓          | -                | -                   | ✓             | ✓              | ✓                         |  | NXRM2-H |
| NX Wired                                    | NXE | NX Wired Dual RJ45 SmartPORTS, without Sensor                                      | ✓                            | ✓        | ✓          | -                | -                   | ✓             | ✓              | ✓ <sup>1</sup>            |  | NXDSP   |

<sup>1</sup> Requires NXBTC, order separately.

### NX LIGHTING CONTROLS APP



The NX Lighting Controls App is a free to use mobile application for programming both an NX Lighting Controls System or Standalone Bluetooth Sensors. The mobile app allows you to configure devices, discover and setup wireless enabled luminaires and program your NX system settings.



Android



Apple iOS

# LFR-6RW SpectraSync

LITEFRAME 6" ROUND LENSED WALL WASH  
WITH COLOR TUNING

## SPECTRASYNC™ COLOR TUNING TECHNOLOGY

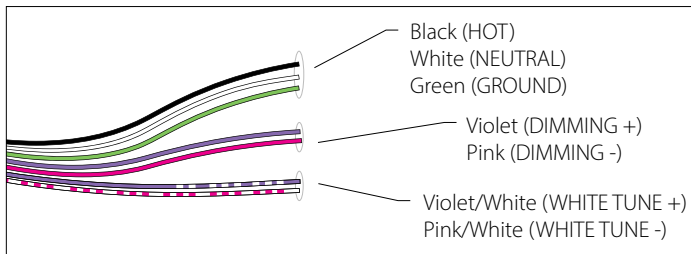
Control your space based on the needs of the application, specific activities throughout the day and preferences of the occupants with distinct SpectraSync™ Color Tuning Technologies.



| SPECTRASYNC COLOR TUNING TECHNOLOGY |                            |  |
|-------------------------------------|----------------------------|--|
| Mode                                | Kelvin Range               | Description  |
| Dim to Warm                         | 2200K-3000K                | Mimics the familiar warming effect that occurs with traditional incandescent sources as they are dimmed  |
| Tunable White                       | 2700K-5000K<br>2700K-6500K | Offers users the ability to tailor CCT to their personal preference, enhancing task visibility, material and colors or the aesthetics of the space |
| Scheduled White                     | 2700K-5000K<br>2700K-6500K | Mimics the rhythm of natural light or follows an alternative user-defined schedule throughout the day, enhancing an occupant's mood and well-being |

### SpectraSync Tunable White

Available in two options: 2750T (2700K–5000K) or 2765T (2700K–6500K).  
Requires two 0–10V controllers, one for intensity and one for CCT.  
Minimum 5% dimming.

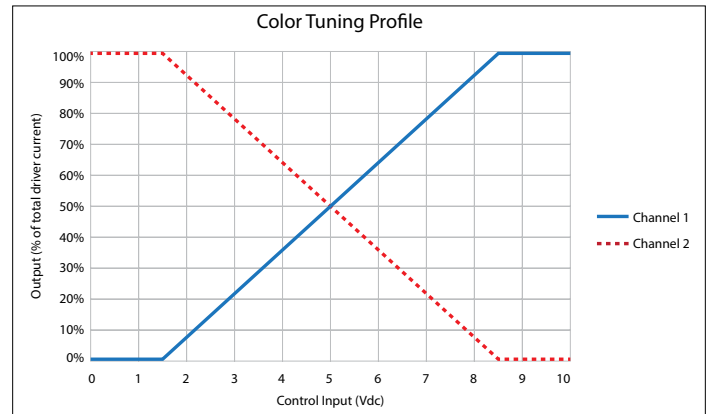


SpectraSync Tunable White luminaires are provided with two 0–10V circuits. The violet and pink circuit is for wiring to any qualified 0–10V controller for dimming. The violet/white and pink/white circuit is for wiring to any qualified 0–10V controller for Tunable White CCT control.

### Controller Manufacturer Data

SpectraSync Tunable White was designed to be used with sinking style dimmers (provided by others) and is compatible with:

- Current: NX Lighting Controls Room Controllers (NXRC) and In-fixture Controllers (NXFM)
- Lutron: DDTV, DVSTV, and NDTV dimmers
- Wattstopper: ADF120277 and CD4BL (Titan) dimmers



To enable scheduling and for use with NX wall control preset stations please refer to SpectraSync technical sheet.

## PERFORMANCE DATA TABLE

Performance data provided below is for 2230TD, 90 CRI with Specular Clear reflector finish/color

| Lumen Package | Nominal Lumens | Distribution | Delivered Lumens | Watts | LPW |
|---------------|----------------|--------------|------------------|-------|-----|
| 10L           | 1000           | Lensed WW    | 867              | 11.9  | 73  |
| 15L           | 1500           |              | 1061             | 18.3  | 58  |
| 20L           | 2000           |              | 1760             | 25.2  | 70  |
| 25L           | 2500           |              | 2199             | 33.0  | 67  |
| 30L           | 3000           |              | 2642             | 42.0  | 63  |

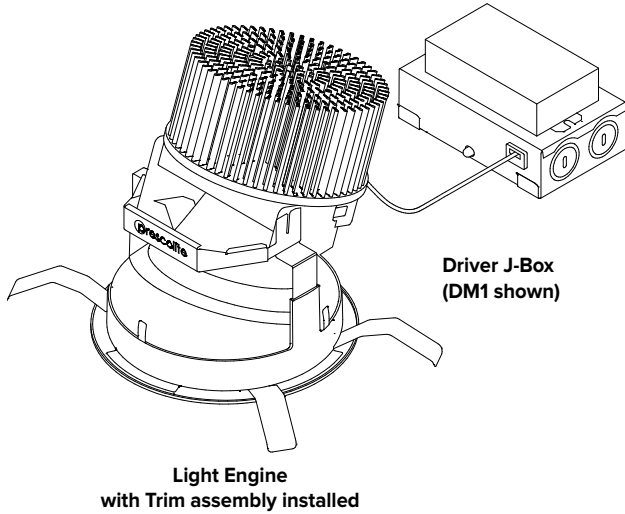
# LFR-6RW SpectraSync

LITEFRAME 6" ROUND LENSED WALL WASH  
WITH COLOR TUNING

## DIMENSIONS

### LFR-6RW-M

Fixture Module consists of Light Engine and Driver J-Box assemblies.  
Overall dimensions for each are dependent upon configuration selected.  
See the following pages for details.

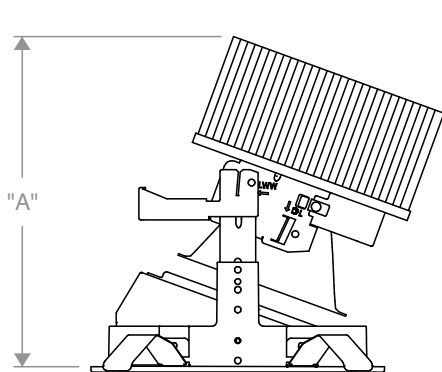


| DIMENSIONAL DATA  |             |                                |
|-------------------|-------------|--------------------------------|
| APERTURE          |             | ø5.75" (101.6mm)               |
| OVERALL           |             | Ø 7.13" (181.0mm)              |
| FLANGE WIDTH      | Standard    | 0.69" (17.5mm)                 |
|                   | Flush Mount | 0.20" (5.1mm)                  |
| FLANGE TO FLANGE  | Standard    | Ø7.13" (136.6mm)               |
|                   | Flush Mount | Ø6.15" (156.2mm)               |
| CEILING CUTOUT    | Standard    | Ø6.50" (165.1mm)               |
|                   | Flush Mount | Ø6.63" (168.4mm)               |
| CEILING THICKNESS |             | 0.50" – 1.25" (12.7 – 31.75mm) |

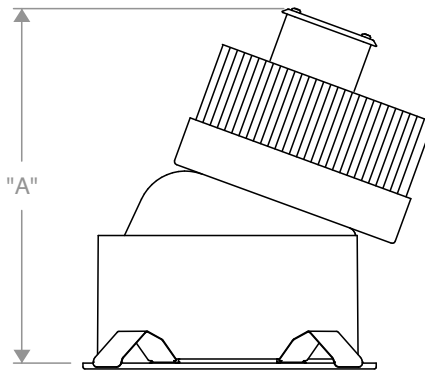
### LFR-6RW LIGHT ENGINE

| OVERALL LIGHT ENGINE HEIGHT "A" * |                |                   |
|-----------------------------------|----------------|-------------------|
| LUMEN PACKAGE                     | FIXTURE MODULE | BEAM DISTRIBUTION |
|                                   |                | LWW               |
| 10L-30L                           | STANDARD       | 6.99" (177.6mm)   |
|                                   | CP             | 8.76" (222.6mm)   |

\* Note: Add ½" minimum plenum clearance above overall Light Engine Height.  
\*\* Non-IC rating requires 3" from insulation and combustible materials.



Side View Standard



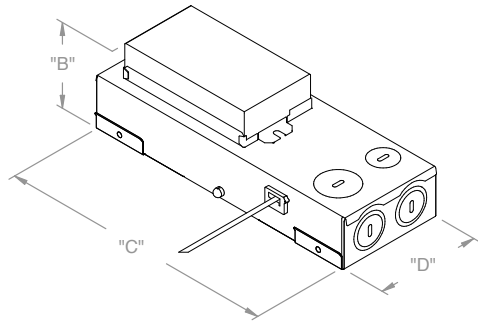
Side View CP – Chicago Plenum

# LFR-6RW SpectraSync

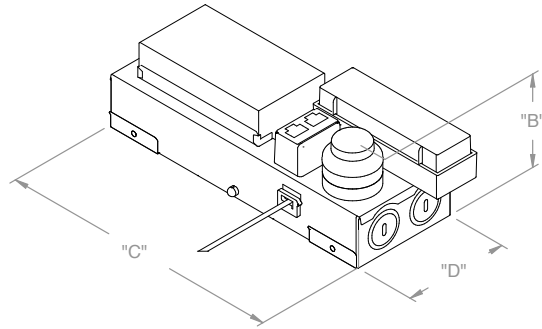
LITEFRAME 6" ROUND LENSED WALL WASH  
WITH COLOR TUNING

## DIMENSIONS CONTINUED

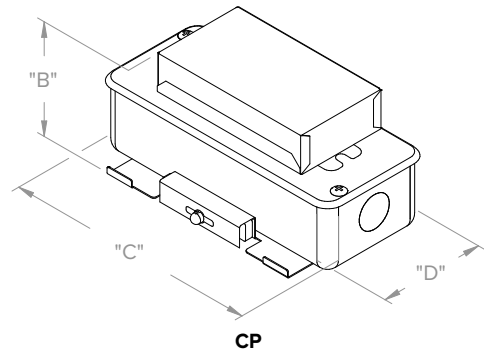
### DRIVER J-BOX



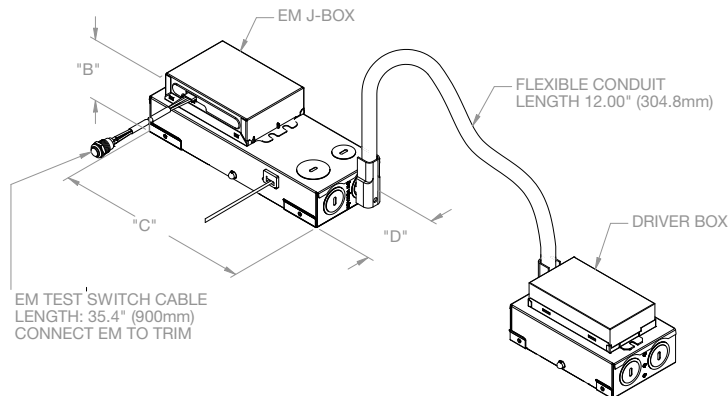
**DMT/DMTW**



**NX CONTROLS OPTION**



**CP**



### DMT/DMTW EM/EMR OPTION

EM/EMR/Driver J-Box Conduit (provided) connects to Driver J-Box  
(see Driver J-Box for additional details)

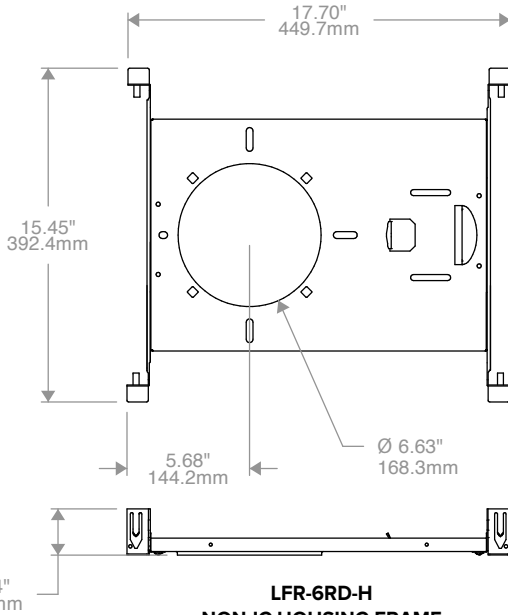
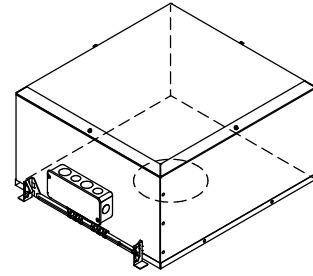
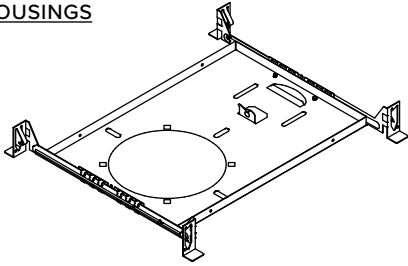
| OVERALL DRIVER J-BOX DIMENSIONS (ALL LUMEN OUTPUTS) |                 |                    |                |                                      |
|---|-----------------|--------------------|----------------|--------------------------------------|
| DRIVER/<br>CONTROLS<br>OPTIONS                      | "B"<br>(HEIGHT) | "C"<br>(LENGTH)    | "D"<br>(WIDTH) | MINIMUM J-BOX<br>PLENUM<br>CLEARANCE |
| DMT/DMTW  | 2.67" (67.8mm)  | 8.68"<br>(220.5mm) | 3.23" (82.0mm) | 3.00" (76.2mm)                       |
| NX  | 3.02" (76.7mm)  | 8.68"<br>(220.5mm) | 3.23" (82.0mm) | 3.75" (95.3mm)                       |
| EM  | 2.73" (69.3mm)  | 8.68"<br>(220.5mm) | 3.23" (82.0mm) | 3.00" (76.2mm)                       |
| CP  | 1.89" (73.4mm)  | 6.50" (165.1mm)    | 2.72" (69.1mm) | 3.00" (76.2mm)                       |

# LFR-6RW SpectraSync

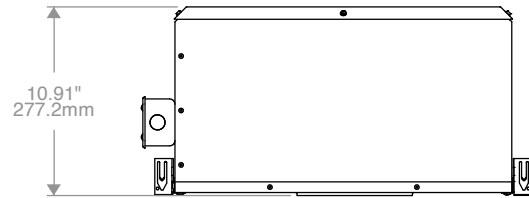
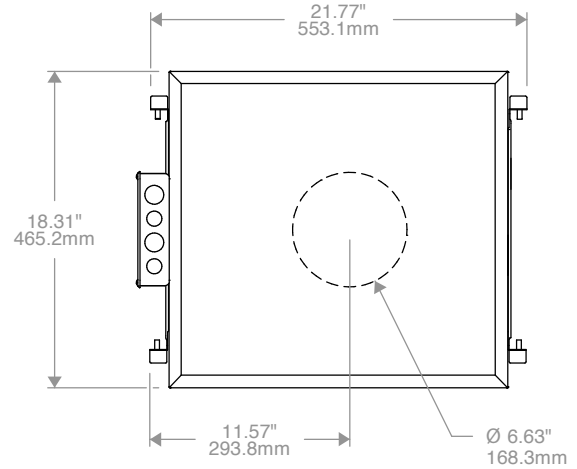
LITEFRAME 6" ROUND LENSED WALL WASH  
WITH COLOR TUNING

## DIMENSIONS CONTINUED

### OPTIONAL HOUSINGS

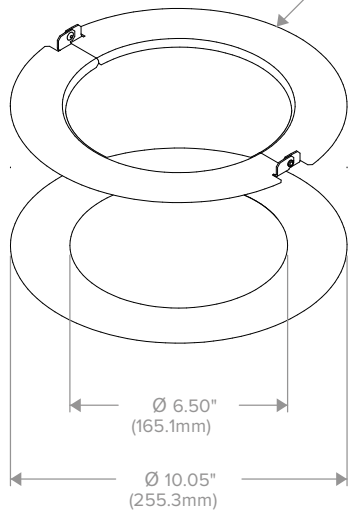


**LFR-6RD-H  
NON-IC HOUSING FRAME**



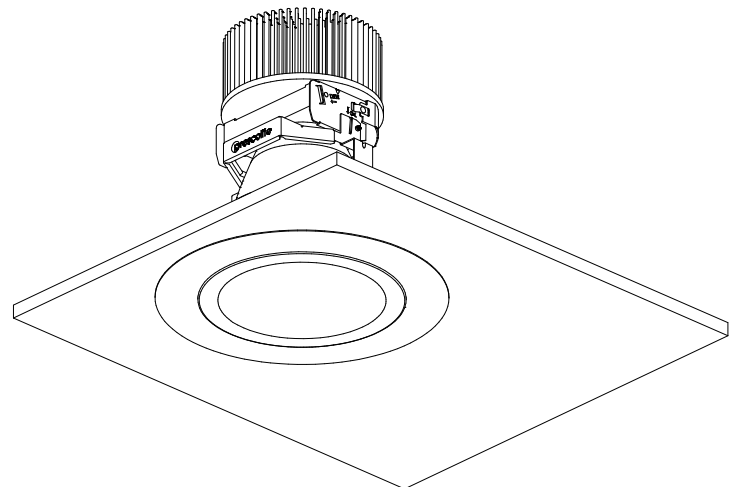
**LFR-6RD-H-IC  
IC HOUSING**  
Not for use with CP Shroud

Metal 2-piece adapter (included)  
to be installed above ceiling



**ROUND LF-MOR6-R  
METAL OVERSIZED RING**

(See LF-MOR Installation Instruction for more details)



# LFR-6RW SpectraSync

LITEFRAME 6" ROUND LENSED WALL WASH  
WITH COLOR TUNING

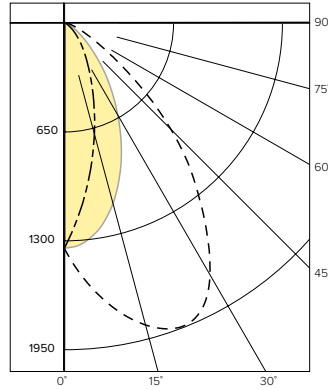
## PHOTOMETRY

### LFR-6RW-M-20L2230TD9LWW-DMTW / LFR-6RW-T-LWW-S

#### LUMINAIRE DATA

|                  |  |
|------------------|--|
| Test No.         | 22.00520                                 |
| Description      | 2000 lm, Lensed Wall Wash, 3000K, 90 CRI |
| Delivered Lumens | 1760                                     |
| Watts            | 25.2W                                    |
| Efficacy         | 70                                       |
| Mounting         | Recessed                                 |

#### POLAR GRAPH



#### CANDELA DISTRIBUTION

| Degree | Candela |
|--------|---------|
| 0      | 1349    |
| 5      | 1558    |
| 15     | 1870    |
| 25     | 1912    |
| 35     | 1468    |
| 45     | 896     |
| 55     | 341     |
| 65     | 103     |
| 75     | 21      |
| 85     | 0       |
| 90     | 0       |

#### LUMINANCE DATA\*

| Vertical Angle | Average |
|----------------|---------|
| 45°            | 75636   |
| 55°            | 35487   |
| 65°            | 14548   |
| 75°            | 4843    |
| 85°            | 0       |

\*Candela/Square Meter

#### ZONAL LUMEN SUMMARY

| Zone  | Lumens | % Luminaire |
|-------|--------|-------------|
| 0-40  | 1308   | 74.3        |
| 0-60  | 1712   | 97.3        |
| 0-90  | 1760   | 100.0       |
| 0-180 | 1760   | 100.0       |



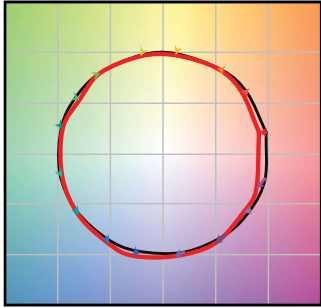
# LFR-6RW SpectraSync

LITEFRAME 6" ROUND LENSED WALL WASH  
WITH COLOR TUNING

## TM-30 DATA

### SPECTRASYNCTM TUNABLE WHITE (2765T)

COLOR VECTOR GRAPHIC  
2700K, 90+ CRI



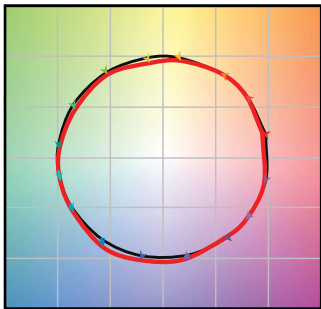
— Reference Illuminant — Test Source

COLOR DISTORTION GRAPHIC  
2700K, 90+ CRI



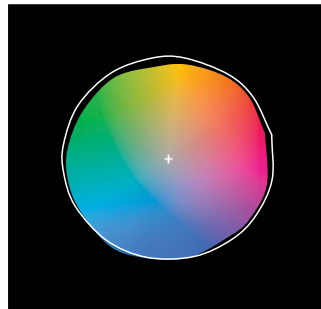
| TEST RESULTS - TUNABLE WHITE<br>@ 1500 LUMENS (NOMINAL) |        |        |        |
|---|--------|--------|--------|
| Value   | 2700K  | 4600K  | 6500K  |
| Luminous Flux (lm)                                      | 1469   | 1779   | 1692   |
| Wattage (W)   | 20.5   | 20.1   | 20.6   |
| Efficacy (lm/W)   | 71.7   | 88.5   | 82.1   |
| R <sub>r</sub>  | 90     | 89     | 87     |
| R <sub>g</sub>  | 97     | 99     | 97     |
| CCT (K)   | 2799   | 4177   | 7184   |
| D <sub>uv</sub>   | 0.0032 | 0.0088 | 0.0024 |
| x   | 0.4468 | 0.3680 | 0.3047 |
| y   | 0.3992 | 0.3515 | 0.3109 |
| CIE R <sub>a</sub>                                      | 90     | 94     | 94     |
| CIE R <sub>g</sub>                                      | 46.7   | 85.4   | 87.7   |

COLOR VECTOR GRAPHIC  
4600K, 90+ CRI

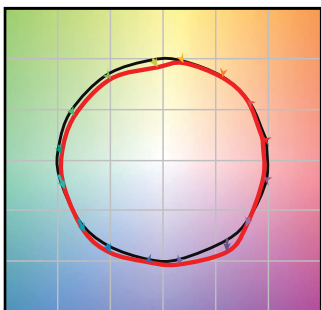


— Reference Illuminant — Test Source

COLOR DISTORTION GRAPHIC  
4600K, 90+ CRI

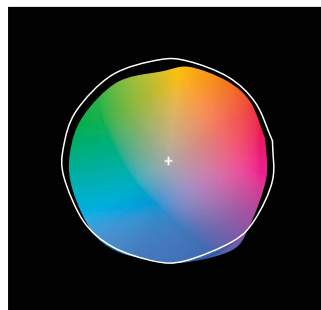


COLOR VECTOR GRAPHIC  
6500K, 90+ CRI



— Reference Illuminant — Test Source

COLOR DISTORTION GRAPHIC  
6500K, 90+ CRI



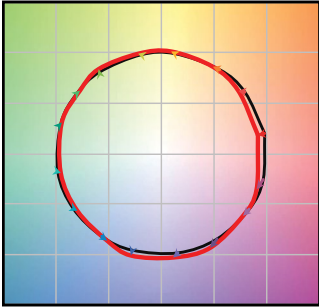
# LFR-6RW SpectraSync

LITEFRAME 6" ROUND LENSED WALL WASH  
WITH COLOR TUNING

## TM-30 DATA CONTINUED

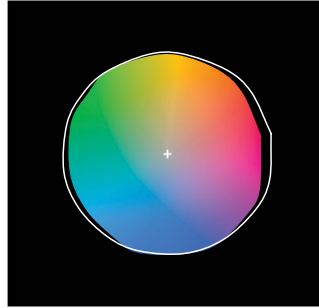
### SPECTRASYNCTM DIM TO WARM (2230TD)

COLOR VECTOR GRAPHIC  
3000K, 90+ CRI @ 100%



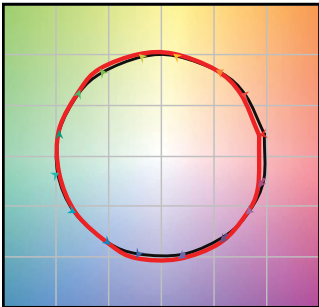
— Reference Illuminant — Test Source

COLOR DISTORTION GRAPHIC  
3000K, 90+ CRI @ 100%



| TEST RESULTS - DIM TO WARM<br>@ 3 DIMMING LEVELS |        |         |        |
|--|--------|---------|--------|
| Value  | 100%   | 50% Dim | 5% Dim |
| Luminous Flux (lm)                               | 1470   | 833     | 50     |
| Wattage (W)                                      | 20.3   | 20.1    | 20.6   |
| Efficacy (lm/W)                                  | 71.7   | 88.5    | 82.1   |
| R <sub>t</sub>                                   | 90     | 89      | 87     |
| R <sub>g</sub>                                   | 97     | 99      | 97     |
| CCT (K)  | 2799   | 4177    | 7184   |
| D <sub>uv</sub>                                  | 0.0032 | 0.0088  | 0.0024 |
| x  | 0.4468 | 0.3680  | 0.3047 |
| y  | 0.3992 | 0.3515  | 0.3109 |
| CIE R <sub>a</sub>                               | 90     | 94      | 94     |
| CIE R <sub>g</sub>                               | 46.7   | 85.4    | 87.7   |

COLOR VECTOR GRAPHIC  
2600K, 90 CRI @ 50% DIM

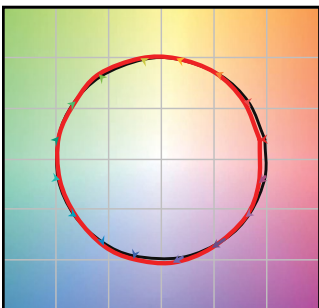


— Reference Illuminant — Test Source

COLOR DISTORTION GRAPHIC  
2600K, 90 CRI @ 50% DIM



COLOR VECTOR GRAPHIC  
2200K, 90 CRI @ 5% DIM



— Reference Illuminant — Test Source

COLOR DISTORTION GRAPHIC  
2200K, 90 CRI @ 5% DIM



# LFR-6RW SpectraSync

LITEFRAME 6" ROUND LENSED WALL WASH  
WITH COLOR TUNING

## ELECTRICAL DATA

| DRIVER DATA                        |           |
|------------------------------------|-----------|
| Input Voltage                      | 120–277 V |
| Input Frequency                    | 50/60 Hz  |
| Power Factor                       | ≥0.90     |
| THD                                | <20%      |
| EMI Filtering (FCC 47 CFR Part 15) | Class A   |

## ADDITIONAL INFORMATION

### Dimming Compatibility

For more details and recommended dimmer list, see Dimming Compatibility Information on [currentlighting.com/prescolite](http://currentlighting.com/prescolite).

### Central Inverters

For full fixture output in back-up mode, we recommend you visit [currentlighting.com/dual-lite](http://currentlighting.com/dual-lite) for your Central Lighting Inverter options. Please contact your local Current representative for any assistance with proper sizing and loading of your inverter selection. Central lighting inverters must be ordered separately.

### Lumen Output in Emergency Mode

To determine the lumen output in emergency mode, multiply the battery pack wattage by the fixture lumens per watt (LPW). For example, 6W x 120 LPW = 720 lumens in emergency mode.